

Verderflex

Vantage 3000 C S10



VERDERFLEX®

Verderflex Vantage 3000 C S10 Specification

Pump head	Polyoxymethylene (POM) and Aluminium, Powder Coated with Polymethylmethacrylate (PMMA) Front Cover
Control Options	Analogue Inputs (0-10V DC / 4 to 20mA), Potentiometer (10kΩ), Remote Stop / Start / Reverse (Footswitch)
Software Features	Keypad Lock, Memory Dose
Display	2 Line Alphanumeric Display
Motor	24 Hour Duty Brushless DC
Rotor	Polyoxymethylene with Stainless Steel Rollers
Power Supply	85 - 265V AC 50/60Hz with Fuseless Resettable Switch
Speed	10 to 250 RPM
Protection Class	IP66
Standard Tube	Verderprene, Silicone
Tube Sizes	3.2 x 2.4mm, 4.8 x 2.4mm, 6.4 x 2.4mm, 8.0 x 2.4mm
Weight	5.5 kg
Number of Heads	Single Head Standard, Two to Special Order

Flow Rates

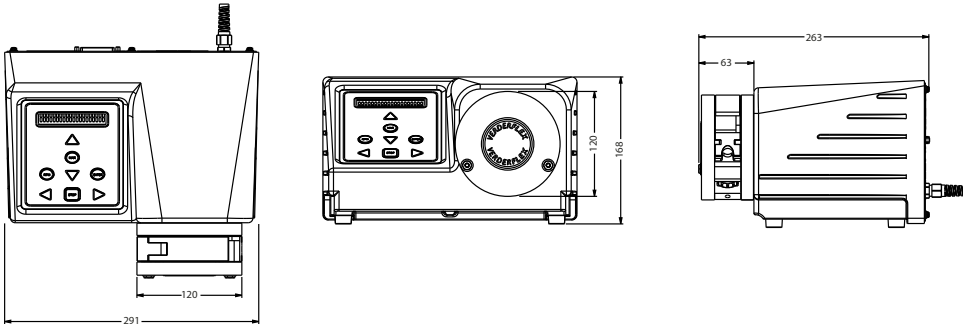
Tube (ID x WT)	RPM	Flow ml/min	Flow l/hr
3.2 x 2.4 mm	10	20	1.2
3.2 x 2.4 mm	120	240	14.4
3.2 x 2.4 mm	200	390	23.4
3.2 x 2.4 mm	250	469	28.1
4.8 x 2.4 mm	10	25	1.5
4.8 x 2.4 mm	120	370	22.2
4.8 x 2.4 mm	200	580	34.8
4.8 x 2.4 mm	250	729	43.8
6.4 x 2.4 mm	10	50	2.7
6.4 x 2.4 mm	120	500	32.4
6.4 x 2.4 mm	200	900	53.4
6.4 x 2.4 mm	250	1000	65.6
8.0 x 2.4 mm	10	80	4.8
8.0 x 2.4 mm	120	900	52.8
8.0 x 2.4 mm	200	1500	88.8
8.0 x 2.4 mm	250	1780	106.8

Flows are typical and were measured with water at 20°C with no suction lift or discharge pressure. Actual flows will vary according to suction conditions, discharge pressure and normal component production tolerances.

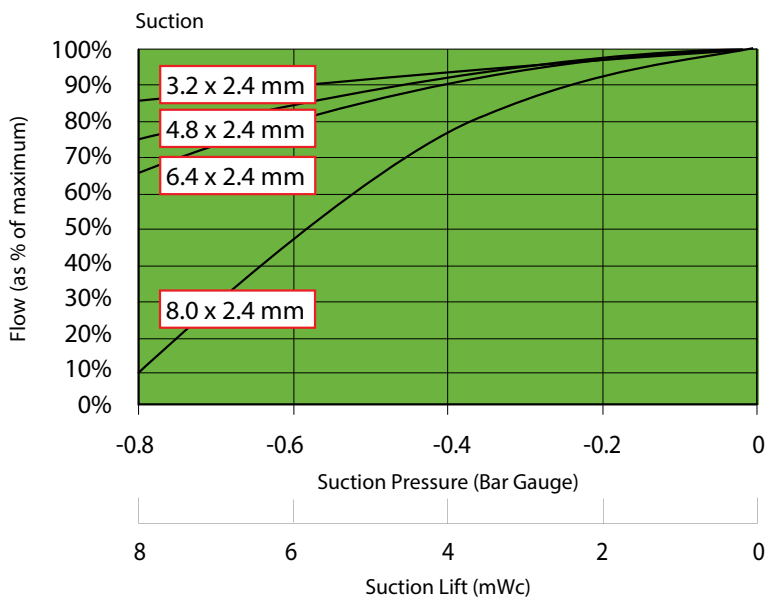
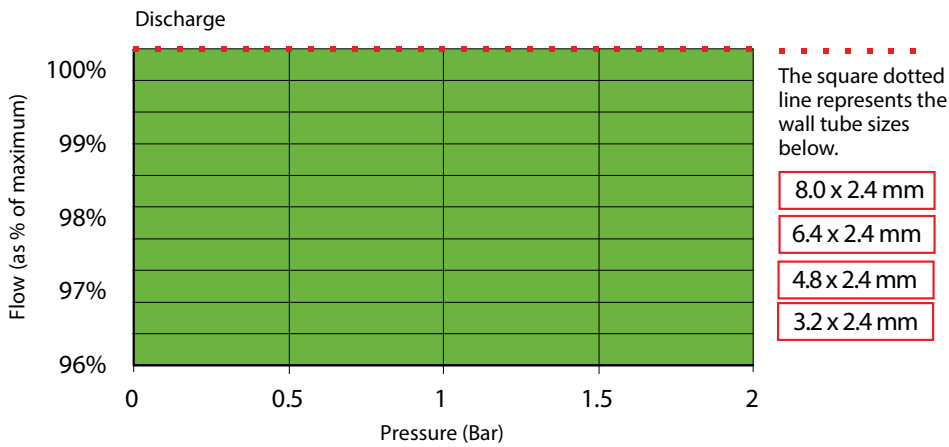


Verderflex

Vantage 3000 C S10



All dimensions are in mm.
All dimensions and weights are for guidance only.



Find your local supplier
at www.verderflex.com

For construction installation and floor mounting drawings
please contact your local authorised Verderflex® distributor.