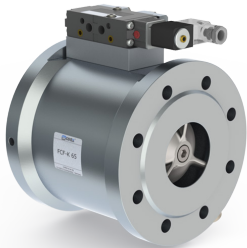


coaxial valve

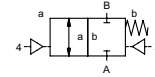
type FCF-K 65

5-FCF-K 65

valve type with pilot valve



2/2 way valve externally controlled
pressure range PN 0-40 bar
orifice DN 65 mm
connection flange
function valve normally closed
symbol NC



⚠ Above stated body materials refer to the valve port connections that get in contact with the media only!

design pressure balanced, with spring return
body materials ① aluminium ②
 ③ ⑤
 ④ ⑥
valve seat synthetic resin on metal
seal materials NBR, PU PTFE, FPM, PE

details needed for main valve

- orifice
- port
- function NC
- operating pressure
- flow rate
- media
- media temperature
- ambient temperature
- type of actuation

details needed for pneumatic actuation

- nominal voltage
- type of protection
- actuation pressure range min/max
- pilot valve type

details needed for hydraulic actuation

- actuation pressure range min/max
- hydraulic control valve function

⚠ The valves' technical design is based on media and application requirements. This can lead to deviations from the general specifications shown on the data sheet with regards to the design, sealing materials and characteristics.

⚠ If order or application specifications are incomplete or imprecise there exists a risk of an incorrect technical design of the valve for the required application. As a consequence, the physical and / or chemical properties of the materials or seals used, may not be suitable for the intended application.

■ specifications not highlighted are standard
 ■ specifications highlighted in grey are optional

general specifications		options
ports	FCF-K flanges PN 16 / 40	
function	NC	
pressure range	bar 0-16 / 0-40	
Kv value	m ³ /h 98,0	
leak rate		< 10 ⁻⁴ mbar•l•s ⁻¹
vacuum		pressure side max. 40 bar
pressure-vacuum	P ₁ ⇄ P ₂	vacuum side leak rate upon request
back pressure	P ₂ > P ₁	available (max. 16 bar)
media	emulsions - oils - neutral gases	other medias upon request
abrasive media		
damping	opening by throttles on pilot valve	
flow direction	A ⇄ B as marked	bi-directional upon request (max. 16 bar)
switching cycles	1/min 50	
switching time	ms opening 250-3000 closing 400-3000	
media temperature	°C direct mounted pilot valve 60	> 60 °C upon request
ambient temperature	°C direct mounted pilot valve 50	> 50 °C upon request
flush ports		
leak ports		
limit switches		
manual override	via pilot valve	
approvals		upon request
mounting		
weight	kg FCF-K 9,2	
additional equipment	sensor / manometer connection G 1/4	

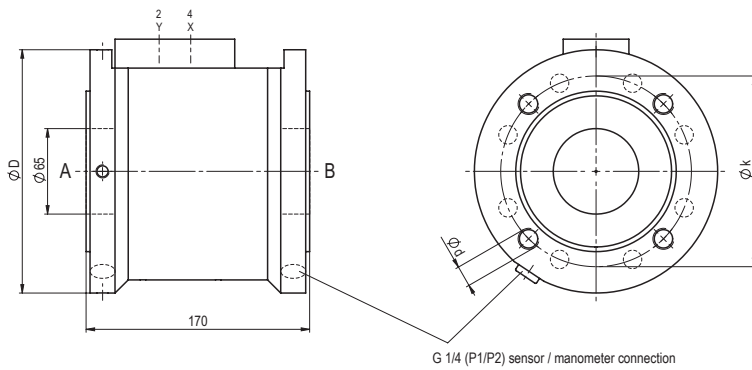
electrical specifications		options
nominal voltage	U _n DC 24 V	special voltage upon request
	AC 230 V 50 Hz	special voltage upon request
power consumption	DC 4,8 W	
	AC pick up 11,0 VA holding 8,5 VA	
protection	IP65 (P54) acc. DIN 40050	
energized duty rating	ED 100%	
connection	plug acc. DIN EN 175301-803 form B, 4 positions x90° / wire diameter 6-8 mm	
optional	M12x1 connector acc. DESINA	connector acc. VDMA
additional equipment	illuminated plug with varistor	
max. temperature	media 60°C	
	ambient 50°C	
explosion proof	E Ex e II T5 nominal voltage U _n	DC 24 V 3,25 W
	power consumption	AC 230 V 50 Hz 2,90 W

pneumatic specifications		options
actuation pressure range	bar 4-10	3-10 upon request
air consumption	cm ³ /stroke 77	
cycle speed		main valve speed variable by throttles on pilot valve
control		preferably 5/2 way pilot valve
pilot valve interface	NAMUR acc. VDI / VDE 3845	ISO 1 acc. DIN 5599/1
actuator ports	2/4 G 1/4	G 3/8

hydraulic specifications		options
actuation pressure range	bar 30-60	
control		preferably 4/2 way control valve
actuator ports	X/Y G 1/4	NPT 1/4
by media		

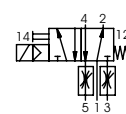
type FCF-K 65

function: **NC**
closed when not energized

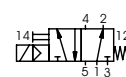


flanges PN	DIN	ØD	Øk	Ød
16	EN 1092-1	185	145	4x M16
40	EN 1092-1	185	145	8x M16

pneumatic actuation



5/2 way pilot valve
flow rate 700 l/min
pressure range 3-10 bar G 1/8



5/2 way pilot valve ISO 1
flow rate 700 l/min
pressure range 3-10 bar G 1/4