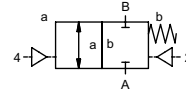


lateral valve

type PLB 05



2/2 way valve pneumatically controlled
pressure range PN 0-25 bar
orifice DN 5 mm
connection thread
function valve normally closed
symbol **NC**



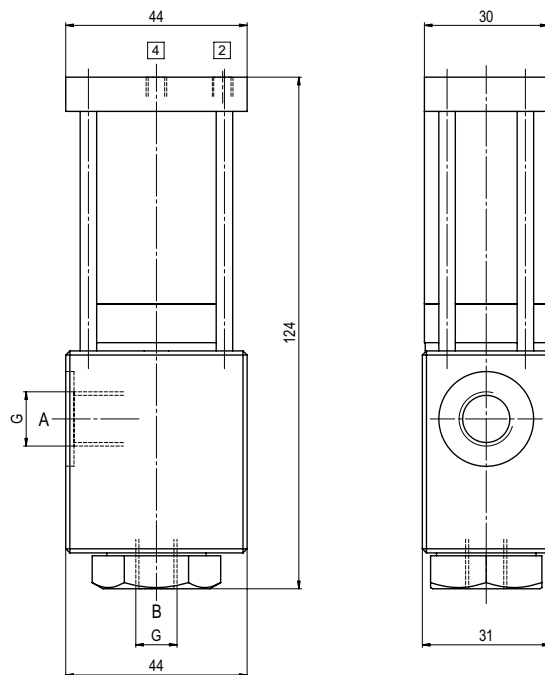
Above stated body materials refer to the valve port connections that get in contact with the media only!

design pressure balanced with spring return
body materials ① aluminium ②
 ③ ⑤
 ④ ⑥ stainless steel
valve seat metal on metal
seal materials EPDM, NBR, FPM, metalbrat 1.4571

	general specifications	options
ports	PLB threads G 1/4, G 3/8	
function	NC	
pressure range	bar 0-25	
Kv value	l/min 18,0	
vacuum	leak rate rude vacuum	
media	liquid - pasty	
flow direction	A ⇌ B	
switching cycles	1/min 60	
switching time	ms opening 50 closing 50	
media temperature	°C 60	
weight	kg 0,36	
control	preferably by 5/2-way-valve	upon request by 3/2-way-valve
actuator ports	2/4 M5	
actuation pressure	bar 4-8	

The valves' technical design is based on media and application requirements. This can lead to deviations from the general specifications shown on the data sheet with regards to the design, sealing materials and characteristics.

If order or application specifications are incomplete or imprecise there exists a risk of an incorrect technical design of the valve for the required application. As a consequence, the physical and / or chemical properties of the materials or seals used, may not be suitable for the intended application.



■ specifications not highlighted are standard
 ■ specifications highlighted in grey are optional