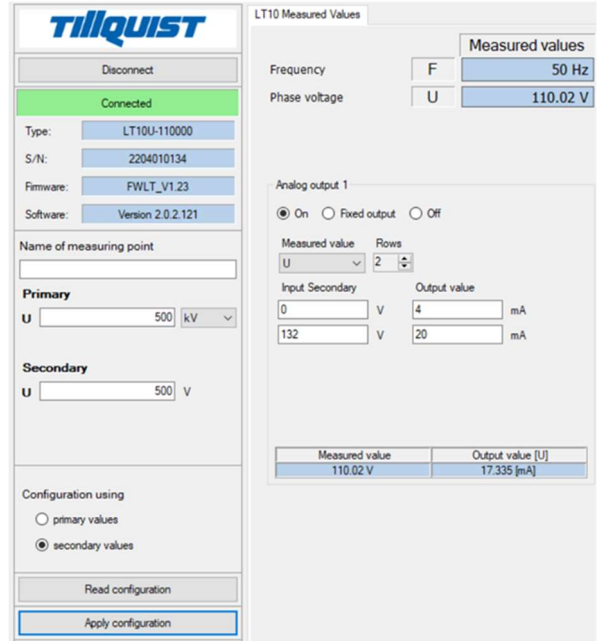
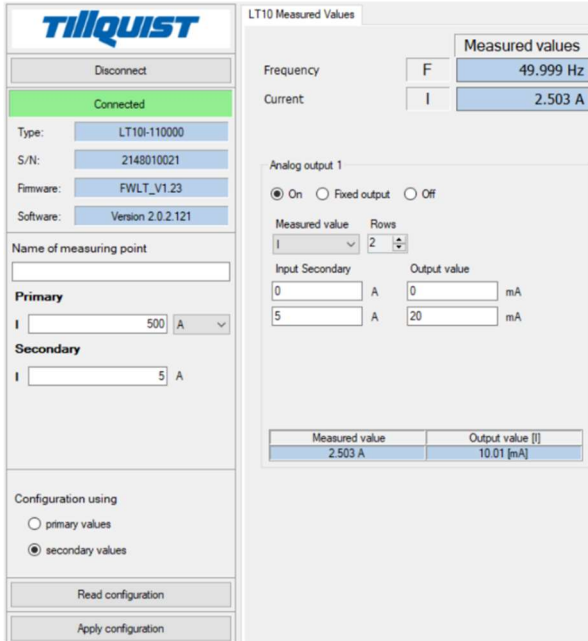


LT10I/U

DIN rail, fully programmable, high accuracy, Tillquist's LT10 single output transducers, can be used with 50, 60 or 16 $\frac{2}{3}$ Hz rated frequencies with a wide range of AC and DC auxiliary supply. This transducer can measure L-L or L-N voltage or frequency and L-N current or frequency. LT10 can be easily programmed through its USB micro standard port and Tillquist's ConfigLQT free software.



Technical Data		Details
Input Voltage		
LT10U-11000x	Voltage range (Un)	50 – 500 V main voltage (nominal)
	Measuring range	0.15 – 600 V TRMS
	Configurable measuring range	0 – 500 V
LT10U-11005x	Voltage range (Un)	12.5 – 125 main voltage (nominal)
	Measuring range	0.04 – 160 V TRMS
	Configurable measuring range	0 – 150 V
	Overload voltage	1.5 x Un – continuously 2 x Un – 10 s
	Consumption	U x 1 mA / phase
Input frequency	Frequency	50/60 Hz (10...40...70...120 Hz) (nominal) 16⅔ Hz (10...15...18...120 Hz) (nominal)
	Measuring range	1 – 350Hz
	Configurable measuring range	0 – 350 Hz
Input Current	Current (In)	1 – 5 A (nominal)
	Measuring range	5 mA – 12 A TRMS
	Configurable measuring range	0 – 10 A
	Overload current	2 x In continuously, 10 x In 15 s, 20 x In 1 s
	Consumption	<0.05 VA
Auxiliary supply	Range	24 – 230 VDC / 90 – 230 V AC ±10 %
	Burden	max 6 VA
Output	Analog outputs	1
	Programmable range	0-20 mA (settings within the range)
	External resistance load	Current output: max 750 Ω (15 V)
	Response time	<100 msec
Measured Quantities	LT10U voltage or frequency /	LT10I current or frequency
General Data	Accuracy	0.2 / 0.5 if output is set as ±1 mA (Ref. temp. 23 °C) <±20mHz
	Galvanic isolation	Supply, in- and output are galvanically isolated
	Connection terminals/Torque	Input & auxiliary: 6 mm ² / 0.8 Nm Output: 2.5 mm ² / 0.5 Nm
	Humidity	95% non-condensing
	USB	USB Micro-B, port for configuration
	Temperature	-10...+55 °C (operation) -40...+70 °C (storage) Temperature coefficient < 0.1 % / 10 °C
	Test voltage	5.6kV AC 50 Hz 1 min meas. input 3,7kV AC 50 Hz 1 min aux. power supply
	Inputs	overvoltage cat. III
	Pollution degree	2
	Dimension (W x H x D)	35 x 109 x 126 mm
	Weight	330 gr
	Standards	SS-EN 60688 Transducers SS-EN 61010-1 Safety EN 61000-6-2 / -6-3 / -6-4 / -6-5

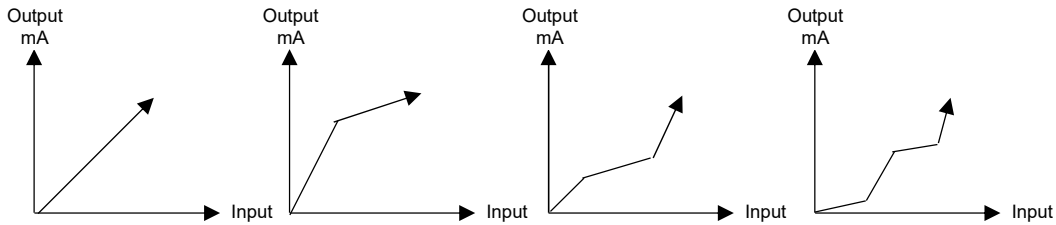


Configuration Software - ConfigLQT

ConfigLQT, free configuration software, downloadable from our webpage, www.tillquist.com, configures all Tillquist's programmable transducers. The software connects to live transducers, changes the configuration, and visualizes live readings.

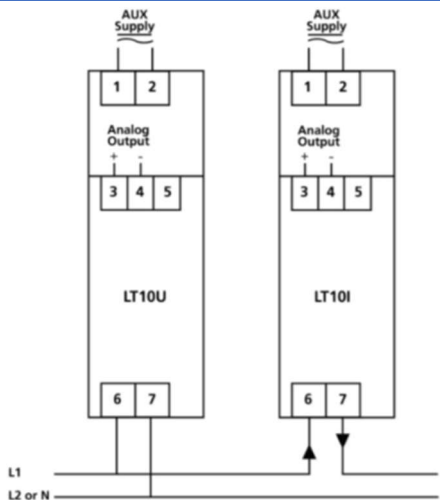
Configurable Characteristic Points (Analog Outputs)

Up to setting 5 points

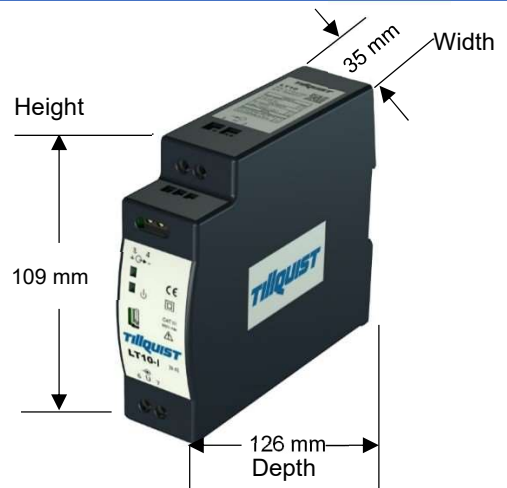


Connections

LT10



Dimensions



Measured Quantities LT10U

Quantity	Unit	Description	Measured	Value
U	V	Voltage	U (L-N or L-L)	RMS U
F	Hz	Frequency	F System	F measured from voltage input

Measured Quantities LT10I

Quantity	Unit	Description	Measured	Value
I	A	Current	I	RMS I
F	Hz	Frequency	F System	F measured from current input

Ordering Codes

LT10 Ordering Codes

	LT10	X	-1100	X	X
Type					
I----- Current					
U----- Voltage					
Input Range LT10U					
0-500V-----					0
0-150V-----					5
Input Range LT10I					
0-10A-----					0
Frequency					
50/60 Hz-----					0
16⅔ Hz-----					3

Ordering Codes

- LT10U-110000: LT10U voltage or frequency transducer, 50/60Hz, range 500V
- LT10U-110050: LT10U voltage or frequency transducer, 50/60Hz, range 150V
- LT10U-110053: LT10U voltage or frequency transducer, 16⅔ Hz, range 150V
- LT10I-110000: LT10I current or frequency transducer 50/60 Hz
- LT10I-110003: LT10I current or frequency transducer 16⅔ Hz