

# Verderflex

## Vantage 3000 B EZ



VERDERFLEX®

### Verderflex Vantage 3000 B EZ Specification

Pump head	Acetal and Polyamide, Stainless Steel Shafts, Nylatron® Rollers, Ball Race Bearings
Motor	Permanent Magnet with Long Life Brushed Motor
Rotor	Polycarbonate with Nylatron® Rollers
Power Supply	85 - 265V AC 50/60Hz with Fuseless Resettable Switch
Speed	15 to 150 RPM
Protection Class	IP40
Standard Tube	Verderprene, Silicone, Tygon®, Viton®
Tube Sizes	0.8 x 1.6mm, 1.6 x 1.6mm, 3.2 x 1.6mm, 4.8 x 1.6mm, 6.4 x 1.6mm and 8.0 x 1.6mm
Weight	4.5 kg
Number of Heads	Single Head

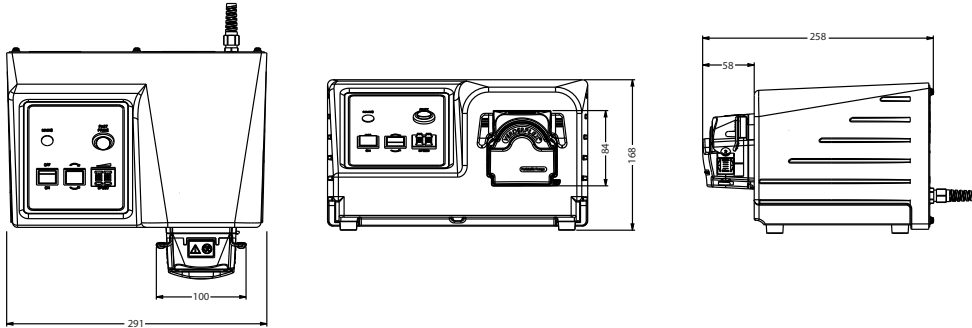
### Flow Rates

Tube (ID x WT)	RPM	Flow ml/min	Flow l/hr
0.8 x 1.6 mm	15	1.2	0.07
0.8 x 1.6 mm	30	2.3	0.14
0.8 x 1.6 mm	75	5.6	0.34
0.8 x 1.6 mm	150	11.3	0.68
1.6 x 1.6 mm	15	4.3	0.26
1.6 x 1.6 mm	30	9	0.5
1.6 x 1.6 mm	75	21	1.26
1.6 x 1.6 mm	150	42	2.5
3.2 x 1.6 mm	15	16	0.96
3.2 x 1.6 mm	30	32	1.9
3.2 x 1.6 mm	75	81	4.9
3.2 x 1.6 mm	150	161	9.7
4.8 x 1.6 mm	15	35	2.1
4.8 x 1.6 mm	30	70	4.2
4.8 x 1.6 mm	75	175	10.5
4.8 x 1.6 mm	150	353	21.1
6.4 x 1.6 mm	15	56	3.36
6.4 x 1.6 mm	30	113	6.8
6.4 x 1.6 mm	75	282	16.9
6.4 x 1.6 mm	150	563	33.8
8.0 x 1.6 mm	15	79	4.74
8.0 x 1.6 mm	30	158	9.5
8.0 x 1.6 mm	75	393	23.6
8.0 x 1.6 mm	150	788	47.3

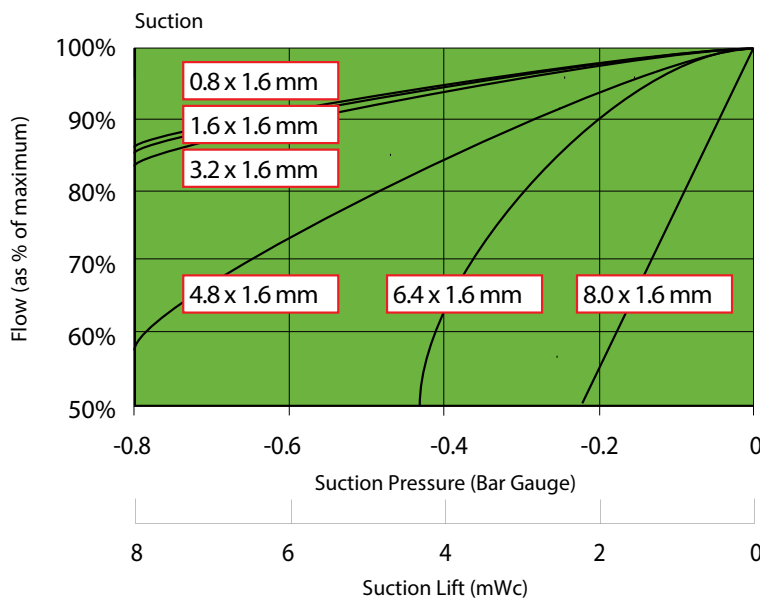
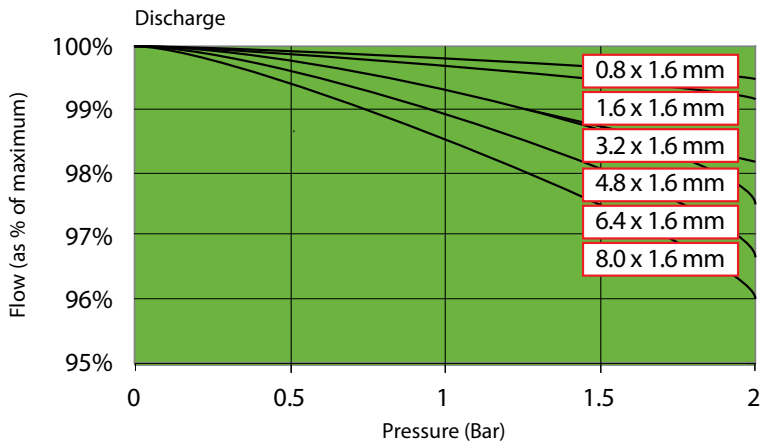
Flows are typical and were measured with water at 20°C with no suction lift or discharge pressure. Actual flows will vary according to suction conditions, discharge pressure and normal component production tolerances.



# Verderflex Vantage 3000 B EZ



All dimensions are in mm.  
All dimensions and weights are for guidance only.



VF\_Techno\_Vantage\_3000\_Rev01\_2013\_(eu)

Find your local supplier  
at [www.verderflex.com](http://www.verderflex.com)

For construction installation and floor mounting drawings  
please contact your local authorised Verderflex® distributor.

**VERDER**  
passion for pumps