

TOEM Series

*Heat transfer pumps
for heat transfer oils from - 100 °C up to 400 °C*

*with magnetic coupling
bearing brackets 360 and 470*

Pumps for heat transfer technology

Main applications

- » Tempering in plastics and die cast industry
- » Baking ovens, large frying units as well as in the production of edible oils and dry masses for the food and feedstuff industries
- » Heating calenders and melting pots in the leather and rubber industry
- » Heating stirring and mixing vessels in the production of paints and varnishes
- » Heating tank storage facilities on stationary and FPSE platforms as well as in tankers
- » Heating press lines in the wood and pulp industry
- » Flat glass production
- » Solar power stations and ORC processes

Usage

These pumps are designed for circulating organic or synthetic heat transfer oils in heat transfer plants in acc. with DIN 4754.

Suitable for media to be pumped with little non-abrasive contaminations

	Spheroidal graphite cast iron version	Stainless steel version
Media	Heat transfer oil / thermal oil	Heat transfer oil / thermal oil
T _{min}	- 40 °C	- 100 °C
T _{max}	+ 350 °C	+ 250 °C
Casing	Spheroidal graphite cast iron EN-GJS-400-15 (GGG-40)	Stainless steel 1.4581
Nominal pressure	PN 16	
H _{max} (2900 min ⁻¹)	100 m	60 m
Q _{max} (2900 min ⁻¹)	550 m ³ /h	170 m ³ /h
ATEX	II 2GD IIC cb TX	

Denomination

Type code Example	TOE	M	A	32	160	/150
Denomination of series						
Magnetic coupling						
N = Version with bearing bracket, volute casing ax/top A = Close-coupled version with bracket, volute casing ax/top I = Close-coupled version with bracket, inline casing						
Nominal width of outlet nozzle DN						
Nominal impeller diameter in mm						
Actual impeller diameter in mm						

Your contacts




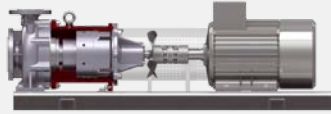
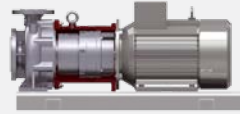
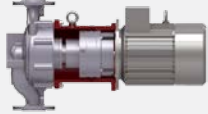
Speck Pumpen Systemtechnik GmbH

Regensburger Ring 6-8
91154 Roth
Phone: +49 9171 809-0
Fax: +49 9171 809-10
info@speck.de
www.speck.de

International representatives

→ page 23

TOEM Series

	TOEMN	TOEMA	TOEMI
	 <p>Example: Casing with feet</p>	 <p>Example: Casing with centreline mounting</p>	 <p>H</p>
			
Features	<ul style="list-style-type: none"> » Bearing bracket / process design » Base plate » Dismantling of the bearing bracket without moving the motor is possible with optional spacer type coupling » Alignment / checking of the coupling required before start-up » Pump and aggregate dimensions in acc. with EN 733 	<ul style="list-style-type: none"> » Bracket version » Base plate optional » No alignment of coupling required before start-up » Space for disassembling the cartridge insert required » Pump dimension in acc. with EN 733 	<ul style="list-style-type: none"> » Bracket version with inline casing » No alignment of coupling required before start-up » Space for disassembling the cartridge insert required
Pump dimensions	→ Pages 16 and 17	→ Pages 16 and 17	→ Page 18
Hydraulics and casing	<ul style="list-style-type: none"> » Identical hydraulics fo TOEMN and TOEMA Characteristic curves → pages 12 and 13 » Identical volute casing for each frame size » Large pumps with centreline mounting and double volute Description → page 5 		<ul style="list-style-type: none"> » Characteristic curves → pages 12 and 13 » Inline casings with two dimensions H available
Sizes	<p>Only two bearing brackets for all sizes</p> <ul style="list-style-type: none"> » Bearing bracket 360 for 12 sizes - identical and interchangeable » Bearing brackets 470 for 7 sizes - identical and interchangeable » Only one bracket per size 		
Description	Material versions and design → pages 6 and 7		
Interchangeability of parts	<ul style="list-style-type: none"> » Within all series including the versions with magnetic coupling (→ see catalogue TOEGN/GA/GI) there is a high degree of interchangeability. » This means minimum spare parts stock and full flexibliliy as replacing pumps or components or retrofitting to a different design is very easy. » Table of interchangeable parts → page 19 		

New: TOEMH

For fluids up to + 400 °C

Available sizes and more information upon request.

High operational safety, optimal design and service-friendly

Robust design

Torsion-resistant casing cover and ball bearings with lifetime lubrication

Wearing-resistant SiC sleeve bearing

Solid, hydrodynamically lubricated sleeve bearings made from SiC as tried-and-tested slide bearing material - extremely wear-resistant and good resistance in corrosive media.

Impellers with back vanes

The back vanes of the impellers significantly reduce the axial thrust and therefore remove strain from the axial bearings considerably. They also keep dirt particles away from the sleeve bearings.

Clever temperature management

Optimised cooling of ball bearings and magnetic coupling

A fan blade on the coupling is also used for cooling in the TOEMN series. Here, the generated air flow, in combination with coupling protection, ventilation slots and cooling zone, reduces the temperature on the magnetic coupling and ball bearings extremely effectively.

On close-coupled pumps of the TOEMA and TOEMI series, the motor fan also cools the bearing shield and therefore also the ball bearings inside it.

Also suitable for critical applications

Pumps with magnetic couplings

100% free of leakage and lower maintenance requirements than pumps with mechanical seals.

Separating can protection guard

Two separating can protection guards on the inner and outer rotor avoid the destruction of the separating can if a sleeve or rolling bearing fails and they ensure that the pump remains hermetically sealed.

ATEX

All pumps of the TOEG and TOEM series are ATEX certified.

Optimal design

Energy efficiency

High energy efficiency secures a lasting competitive edge. Speck offers the important criteria for energy-optimised design. Seamless range of sizes, highly efficient impellers, switching of impellers for the best design at the operating point and, naturally, motors in accordance with IE3.

Optimal sizes of magnetic couplings

Magnetic couplings in staged sizes guarantee optimal design at the operating point with minimal viscosity and eddy current losses.

Maintenance-friendly and flexible

Simple installation

All series are extremely maintenance-friendly thanks to easy-to-remove bearing brackets.

You can replace the sleeve bearing cartridge easily as a complete spare part. It is quick and ensures correct installation every time.

Minimum spare parts stock

The high level of interchangeability of identical parts guarantees minimal spare parts stock requirements and an extremely high level of flexibility.

Retrofitting to a different series is also no problem at all - the volute casing can even be left in the system.

Safe

The separating can remains hermetically sealed at bearing failures thanks to separating can protection

Robust and service-friendly

Solid sleeve bearing cartridge with SiC - can be replaced as a complete spare part

Temperature management

Several ventilation slots
Cooling zone
Fan blades (TOEMN only)

Optimal design

Magnetic couplings in staged sizes for optimal design with minimal viscosity and eddy current losses

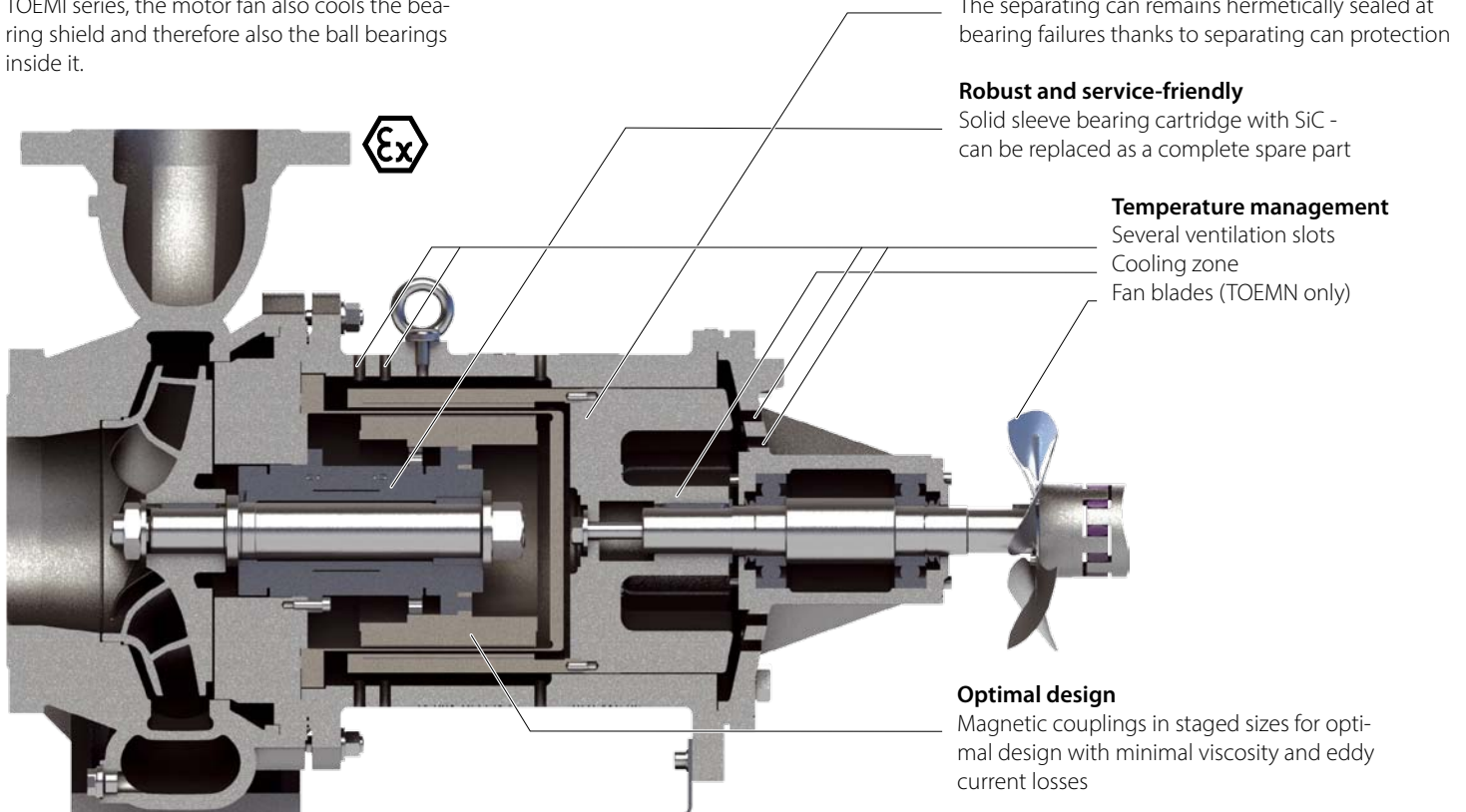


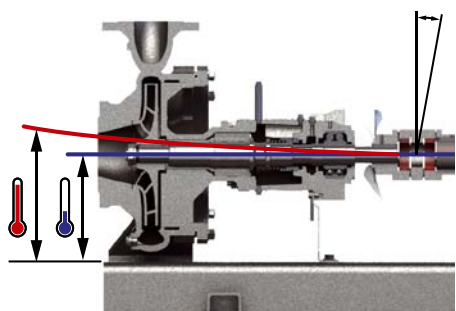
Figure: TOEMN, bearing bracket 470, casing with centreline mounting

Longer lifetime

There are effects, which have little or no relevant impact on smaller designs, but lead to increased wear in larger pumps.

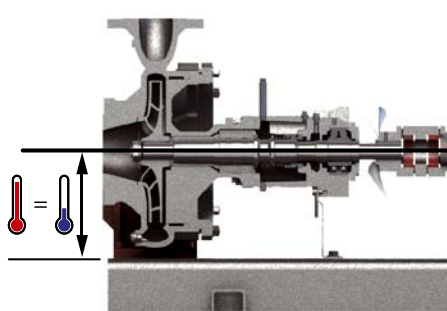
Speck offers larger pumps with special designs to guarantee a longer lifetime: Casing with centreline mounting and double volute.

Centreline mounting relieves strain from the bearings and coupling



Casings with feet: The larger the pump, the more strain placed on the bearings and magnet coupling by heat expansion.

Casings with feet can only expand upwards in high temperatures, which causes the pump to tilt and bend. This has an impact on the magnetic coupling and the shaft coupling in particular. As the heat expansion increases with larger casing sizes, the shaft couplings and, eventually the separating can protection guards, wear faster on larger pumps.



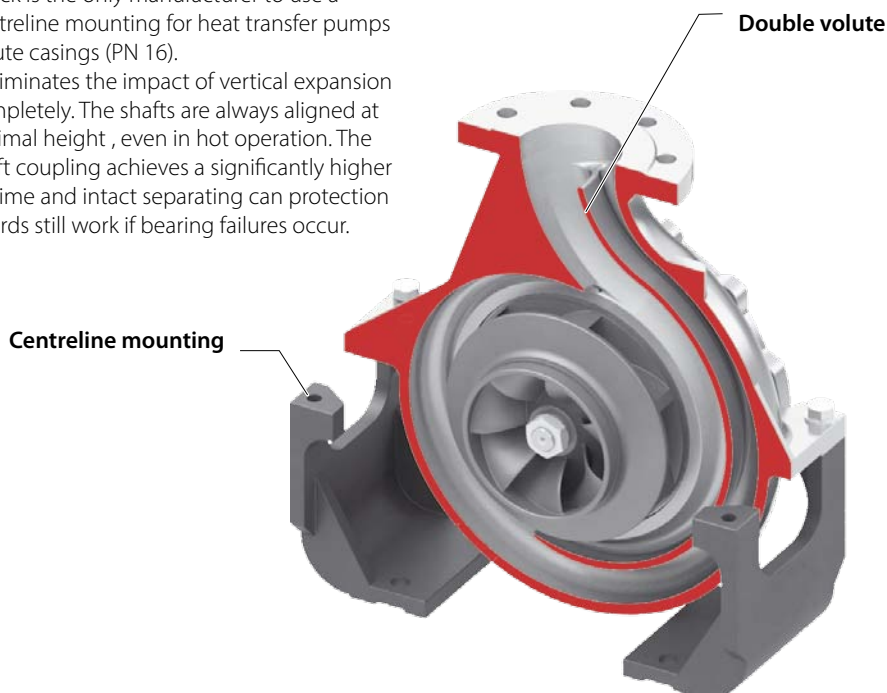
The centreline mounting eliminates the impact of the heat expansion completely.

Speck is the only manufacturer to use a centreline mounting for heat transfer pumps volute casings (PN 16). It eliminates the impact of vertical expansion completely. The shafts are always aligned at optimal height, even in hot operation. The shaft coupling achieves a significantly higher lifetime and intact separating can protection guards still work if bearing failures occur.

A double volute remove strain from the sleeve bearings

Radial forces are applied directly on the sleeve bearings. The forces increase with higher impeller diameters and higher speeds. This is why the sleeve bearings on larger pumps with single volute casings wear faster.

Speck therefore uses casings with double volute for larger pumps, which significantly reduce the radial forces. The strain on the radial and axial bearings is considerably reduced, helping them achieve a much longer lifetime.



TOEMN / TOEMA – Sizes and casing designs

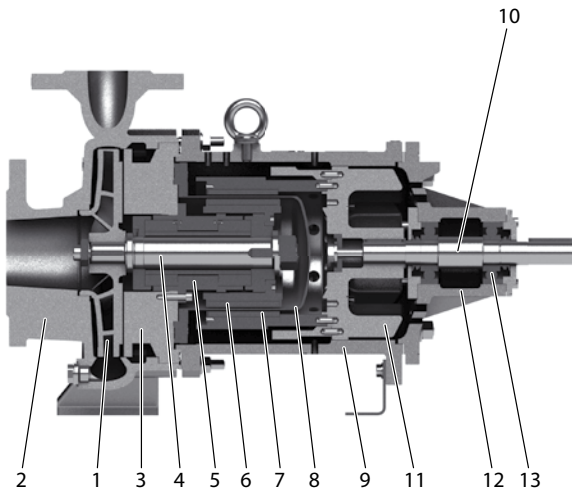
32-160*	40-160	50-160	65-160	80-160	100-160	–
32-200*	40-200*	50-200*	65-200*	80-200	100-200	125-200
32-250	40-250	50-250	65-250	80-250	100-250	–
Bearing bracket 360			Bearing bracket 470			

* also available in stainless steel version

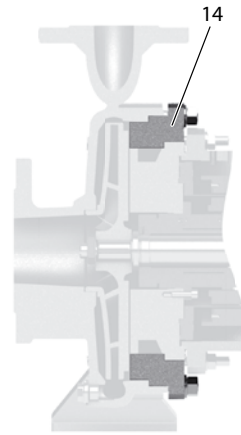
All casings with dimensions in accordance with EN 733 Casing with double volute Casing with centreline mounting

Material designs

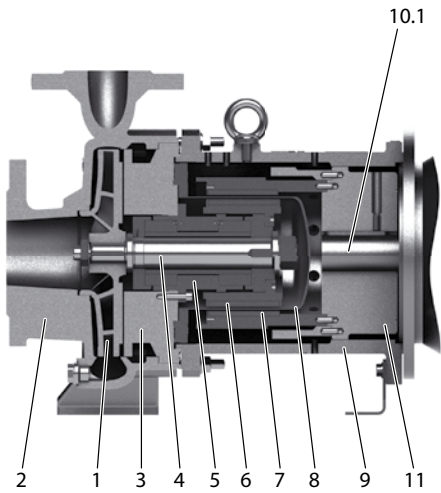
TOEMN



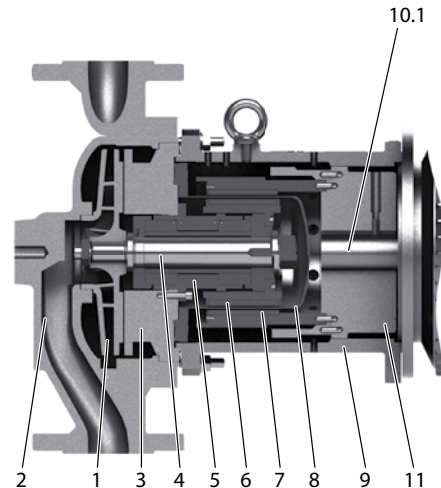
Bearing bracket 360
with Ø 250 mm impeller



TOEMA



TOEMI



	Spheroidal graphite cast iron version	Stainless steel version
Media	Heat transfer oil / thermal oil	Heat transfer oil / thermal oil
T _{min}	- 40 °C	- 100 °C
T _{max}	+ 350 °C	+ 250 °C
Nominal pressure	PN 16	
ATEX	II 2GD IIC cb TX	
Series	All series	TOEMN, TOEMA series
Sizes	All sizes	32-160 32-200 40-200 50-200 65-200
H _{max} (2900 min ⁻¹)	100 m	60 m
Q _{max} (2900 min ⁻¹)	550 m ³ /h	170 m ³ /h

No.	Designation	Spheroidal graphite cast iron version	Stainless steel version
1	Impeller	EN-GJL-250	1.4581
2	Casing	EN-GJS-400-15	1.4581
3	Casing cover	EN-GJS-400-15	1.4581
4	Shaft	1.4122	1.4571
5	Sleeve bearing	SiC	SiC
6	Inner magnet	Sm ₂ Co ₁₇	Sm ₂ Co ₁₇
7	Outer magnet	Sm ₂ Co ₁₇	Sm ₂ Co ₁₇
8	Separating can	2.4610	2.4610

No.	Designation	Spheroidal graphite cast iron version	Stainless steel version
9	Bracket	EN-GJS-400-15	EN-GJS-400-15
10/1	Drive shaft / motor shaft	1.4122	1.4122
11	Coupling insert	EN-GJL-250	EN-GJL-250
12	Bearing casing	EN-GJL-250	EN-GJL-250
13	Rolling bearing	High-quality brand	High-quality brand
14	Counter flange	EN-GJS-400-15	EN-GJS-400-15

EN-GJL-250 = GG-25, EN-GJS-400-15 = GGG-40

Design

Magnetic couplings

The magnetic coupling consist of inner magnetic rotor, separating can and outer magnetic rotor.

The large number of staged sizes and a modern design software guarantee the best design at the operating point. The transmissible torques of the magnetic couplings range between 10 and 500 Nm.

Type code

Type code Example	135-	70
Nominal diameter DN		
Magnetic length [mm]		

Magnetic coupling sizes

		Magnetic coupling diameter				
		DN 60	DN 75	DN 110	DN 135	DN 165
Magnetic length [mm]	40	x	x	x		
	50		x	x	x	
	60	x	x	x	x	
	70			x	x	
	80			x	x	x
	90				x	x
	100					x
	110					x
	120					x
			360	360	360, 470	360, 470

Bearing bracket

Maintenance-friendly and safe design

Assemblies are easy-to-replace spare parts

The cartridge insert (TOEMN) or assembly unit (TOEMA, TOEMI) are the parts of the pump getting in touch with the medium to be pumped. They can be removed easily from the volute casing without dismantling the pipes. Both are available as a single spare part and the best choice for quick and falseless repair. We recommend to put at least one cartridge insert/assembly unit into stock.

Further subassemblies are designed in the same way. In the event of servicing, they can be ordered and replaced as a single spare part.

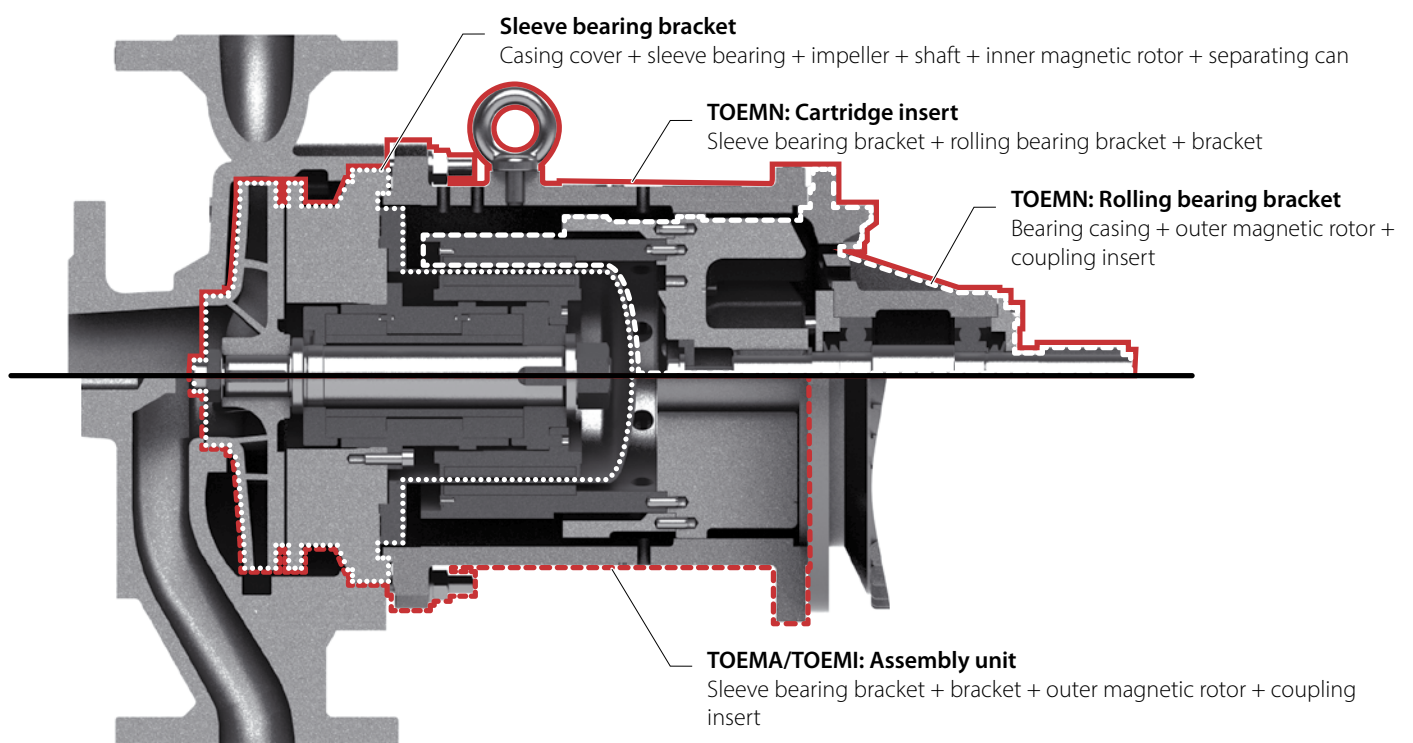
Flushing bore holes

Current eddy, viscosity and bearing friction losses lead to higher temperatures within the pump and have to be added to the media temperature. Flushing bore holes in the inner rotor and the casing ensure that these critical places are cooled by the medium to be pumped. In addition, light ends are discharged from the inner rotor.

Temperature control

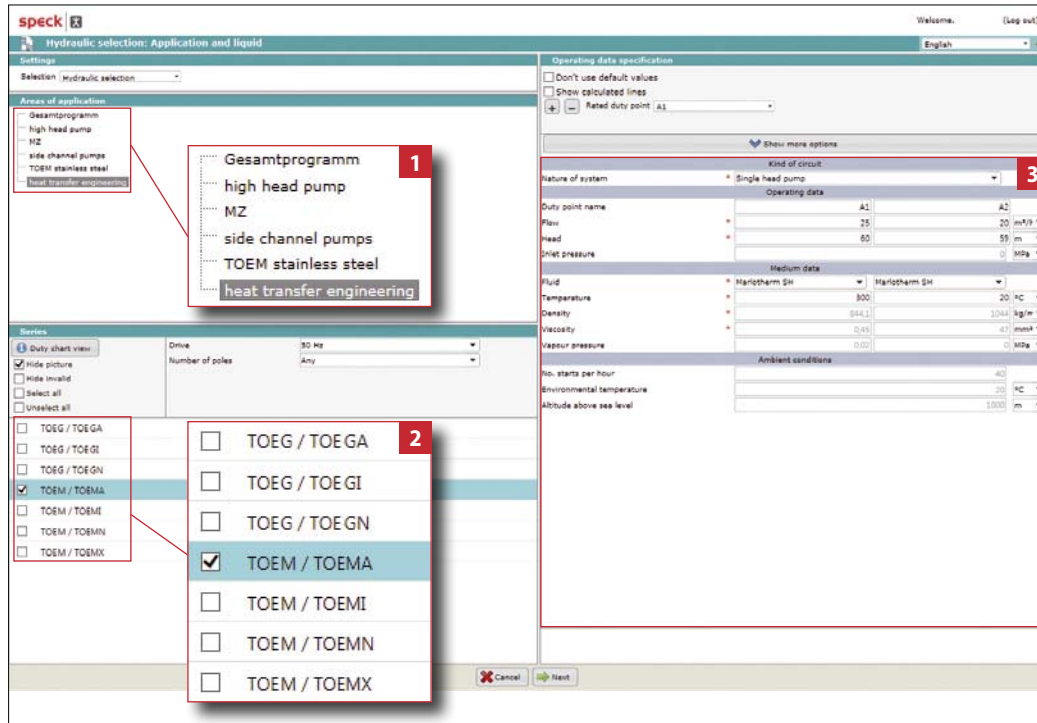
If required (e.g. in potentially explosive areas), temperature sensors can be installed in the bracket to control the surface temperature of the separating can.

Assemblies



Simple and optimal configuration software

SPAIX selection program



The software allows you to configure heat transfer pumps, side channel pumps and boiler feed pumps via your Internet browser. As well as design details, the system will also request operating details and details about the medium to be pumped.

Ideal for system planners

Speck now also offers the latest version 4 of the renowned SPAIX design software.

We make the program available to authorised customers who can pre-select the pumps within their system.

The web-based software always accesses an up-to-date database.

Easy pre-selection

The configuration system avoids a wide range of selection parameters with regard to design, sealing systems, hydraulics, operating conditions and media.

The software has language options for German and English.

Checking the pre-selection

When the order is submitted, the customer's choices are double-checked to ensure that your project requirements are met.



Characteristic curve depending on hydraulic selection

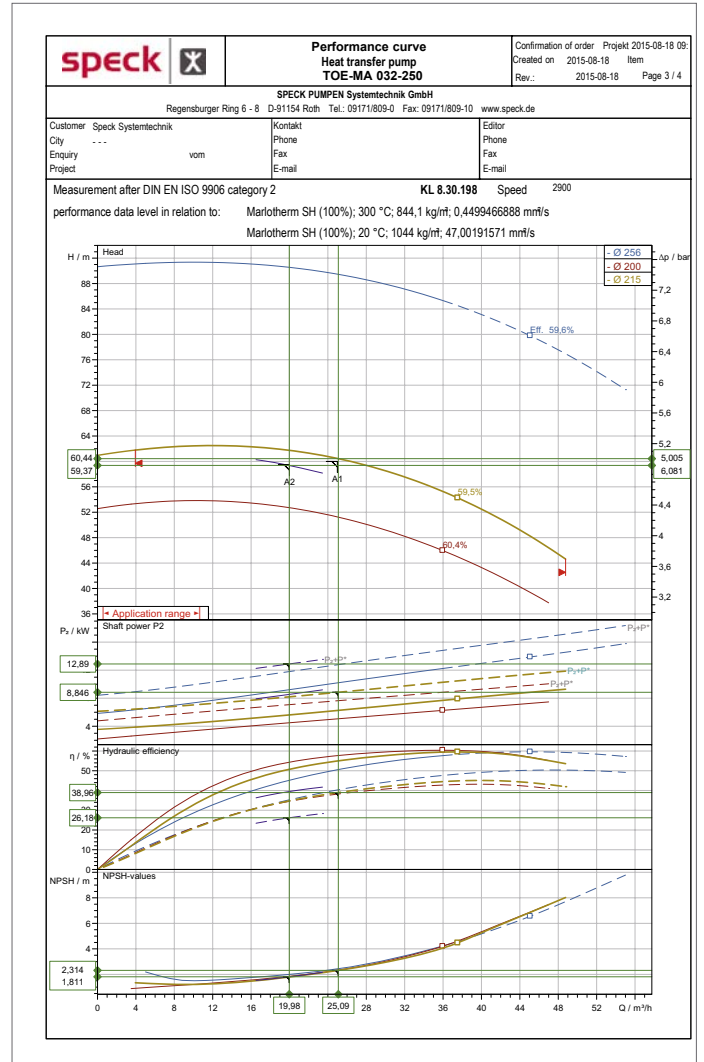
Key

- 1 List of all pump designs that can be configured in the software
- 2 List of all series within the pump designs
- 3 Selection parameters operating parameters and medium data in the first instance
- 4 Characteristic curve depending on hydraulic selection generated

Documentation based on the selection program

speck		Data Sheet Heat transfer pump TOE-MA 032-250		Confirmation of order Projekt 2015-08-18 09 Created on 2015-08-18 Item Rev.: 2015-08-18 Page 2 / 4	
SPECK PUMPEN Systemtechnik GmbH Regensburger Ring 6 - 8 D-91154 Roth Tel.: 09171/809-0 Fax: 09171/809-10 www.speck-pumps.de					
Customer Speck Systemtechnik City ... Enquiry vom Project		Kontakt Phone Fax E-mail		Editor Phone Fax E-mail	
Operating Data					
1 Fluid	Marlotherm SH	Flow rate	rated 25.09 m ³ /h min / max 3.9 / 48.8 m ³ /h	Speed	2900 1/min
2 Corrosive matters	keine/hot	Pressure	inlet 0 bar (g) Disch. 5.005 bar (g)	Efficiency	38.96 %
3 Abrasive matters	keine/hot	Head	60.44 m	Total abs. power	8.85 kW
4 Solids	0	Pressure differential	5.00 bar (g)	Dispipation	2.582 kW
5 Oper. Temp. TW / IS	300 / 20 °C	NPSH	System required 9.67 m required 2.81 m	Flow rate at cold start	19.98 m ³ /h
6 Density at TW / IS	844.1 / 1044 kg/m ³			Total abs. power at cold start	12.89 kW
7 Kn. viscosity at TW / IS	0.4499 / 47 mm ² /s			Dispipation cold	4.343 kW
8 Vapor press. at TW / IS	0.2 / bar				
9 PH value	7				
Installation / Environment					
10 Building / Outside	Gebäude	Altitude	< 1000 m	Amb. Temp. min	20 / 40 °C
11 under roof yes/no	Ja / Yes	ATEX aggregate category	not ATEX	rel. Humidity	<55 %
Pumpe					
12 Impeller-D / RUS	215 / 144 mm	Suction port	Pressure rating PN 16 nom. diam. DN DN 50	Delivery port	Pressure rating PN 16 nom. diam. DN DN 32
13 Impeller type	Radial impeller		Standard EN 1092-2	Standard	EN 1092-2
14 direction of rotation	right				
15 Single head pump	X 1	Specifying calving suction side - min.	250 mm		
Accessories					
Motor		Magnetic drive		Base plate	
17 Make	HOYER	Type	HMC2 160M2-2	Description	135-060
18 Specific design	IE 2 / 50 Hz / Pole pairs 1	Number of poles	2	rated load torque	155 Nm
19 Rated power	15 kW	Degree of p	IP 55	Magnetic drive pow	33 kW
20 Rated current	27 A	Frequency	50 ± 2% Hz	Length of magnet	60 mm
21 1-phase / 3-phase	3-	Voltage	400 ± 5% V	Diameter	135 mm
22 Rated speed	2930 1/min	Mounting	IM B35		
23 Motor flange ø	350 mm	Sound pressure level	dB(A)		
24		terminal box, motor	coben		
25					
Materials					
26 Volute casing	EN-GJS-400-15	Impeller	EN-GJL-250		
27 Casing cover	EN-GJS-400-15	Bracket	EN-GJS-400-15		
28 Shaft	1.4122	Bearing complete	SIC1.4122		
29					
30					
31					
32					
Tests and Inspections					
33 Material Tests	Test	Certificate	Other Tests	Tests and Inspections	Certificate Qty
34 Volute casing	keine	kein	Hydrost. Pressure Test	Intern	kein alle
35 Impeller	keine	kein	Gas Pressure Test	3	Intern
36 Casing cover	keine	kein	Performance curve	4	Keine
37 Bracket	keine	kein	NPSH-Measurement	Intern	kein alle
38 Shaft	keine	kein	Final check	Intern	kein alle
39			Vibration	Keine	kein alle
40			temperature	Keine	kein alle
41			Max. operating pressure	16 bar / 20°C [X]	Factor 1.5 test time 10 min
Shipping data					
42 Net weight appr.	kg	Gross weight appr.	kg	motor color	
Documentation					
43 Dimensional dwg.	Cross sect. dwg	performance curve No.	Oper. & Instruct. Man.	Other (see attached)	Qty
44 RD 8.30. xxx	E 4022. xxx	KL 8.30.198	DE 1096.0972		1
Remarks					
45	motor article				
46	1) motor supplement corresponds to ISO 9908 2) according to EN 10224 3) volute casing & casing cover 4) without NPSH test 5) scope of deliv. to proc sheet				

Technical data sheet (example)



Characteristic curve (example)

speck		Dimension drawing Heat transfer pump TOE-MA 032-250		Confirmation of order Projekt 2015-08-18 09 Created on 2015-08-18 Item Rev.: 2015-08-18 Page 4 / 4																																																															
SPECK PUMPEN Systemtechnik GmbH Regensburger Ring 6 - 8 D-91154 Roth Tel.: 09171/809-0 Fax: 09171/809-10 www.speck.de																																																																			
Customer Speck Systemtechnik City ...		Kontakt Phone Fax E-Mail		Editor Phone Fax E-Mail																																																															
ohne Grundplatte Motor HOYER - HMC2 160M2-2 - IM B35																																																																			
				<table border="1"> <thead> <tr> <th>Anschlüsse</th> <th>Dimensions in mm</th> </tr> </thead> <tbody> <tr><td>P</td><td>350</td></tr> <tr><td>H</td><td>160</td></tr> <tr><td>B</td><td>210</td></tr> <tr><td>BB</td><td>260</td></tr> <tr><td>AA</td><td>254</td></tr> <tr><td>FAA</td><td>95</td></tr> <tr><td>AS</td><td>320</td></tr> <tr><td>K</td><td>14,5</td></tr> <tr><td>AD</td><td>277</td></tr> <tr><td>D</td><td>42</td></tr> <tr><td>DNS</td><td>50</td></tr> <tr><td>DS</td><td>165</td></tr> <tr><td>FS</td><td>20</td></tr> <tr><td>DND</td><td>37</td></tr> <tr><td>DSB</td><td>140</td></tr> <tr><td>ED</td><td>18</td></tr> <tr><td>s</td><td>100</td></tr> <tr><td>h1</td><td>180</td></tr> <tr><td>h2</td><td>225</td></tr> <tr><td>G1</td><td>190</td></tr> <tr><td>h</td><td>65</td></tr> <tr><td>h1</td><td>15</td></tr> <tr><td>m1</td><td>125</td></tr> <tr><td>m2</td><td>95</td></tr> <tr><td>d1</td><td>320</td></tr> <tr><td>d2</td><td>290</td></tr> <tr><td>w1</td><td>430</td></tr> <tr><td>o</td><td>30</td></tr> <tr><td>z</td><td>627</td></tr> <tr><td>s1</td><td>13,5</td></tr> </tbody> </table>		Anschlüsse	Dimensions in mm	P	350	H	160	B	210	BB	260	AA	254	FAA	95	AS	320	K	14,5	AD	277	D	42	DNS	50	DS	165	FS	20	DND	37	DSB	140	ED	18	s	100	h1	180	h2	225	G1	190	h	65	h1	15	m1	125	m2	95	d1	320	d2	290	w1	430	o	30	z	627	s1	13,5
Anschlüsse	Dimensions in mm																																																																		
P	350																																																																		
H	160																																																																		
B	210																																																																		
BB	260																																																																		
AA	254																																																																		
FAA	95																																																																		
AS	320																																																																		
K	14,5																																																																		
AD	277																																																																		
D	42																																																																		
DNS	50																																																																		
DS	165																																																																		
FS	20																																																																		
DND	37																																																																		
DSB	140																																																																		
ED	18																																																																		
s	100																																																																		
h1	180																																																																		
h2	225																																																																		
G1	190																																																																		
h	65																																																																		
h1	15																																																																		
m1	125																																																																		
m2	95																																																																		
d1	320																																																																		
d2	290																																																																		
w1	430																																																																		
o	30																																																																		
z	627																																																																		
s1	13,5																																																																		
<p>* Die angegebenen Motormaße sind zu Maße. Genauere Angaben richten sich nach dem im Auftragsfall tatsächlich eingesetzten Fabrikat.</p> <p>* The indicated motor dimensions are approx. dimensions. Exact details correspond to the actual model used in every single order.</p>																																																																			

Dimensional drawing (example)

Save projects

Interim configuration results such as characteristic curves, scale drawings or technical data sheets can be saved as a project and generated as a pdf file.

Order-related tests

Pressure tests

Speck carries out the tests below as standard:

Gas pressure test

The gas pressure test is used to prove that the components are leak-proof. All components that bear pressure are tested, such as the volute casing, casing cover and mechanical seal casing. The test is carried out with forming gas at 2 bar. The holding time is 15 minutes.

Hydrostatic pressure test

The hydrostatic pressure test is used to prove strength of the components and that the pump is leak-proof. The fully assembled pump is tested. The test is carried out with a hydrostatic test pressure based on prEN 12162; the hydrostatic test pressure corresponds to 1.5 x the nominal pressure (PN16) at 20 °C. The holding time is 10 minutes.

If you want to use pressure tests according to different criteria, please enter them in the request.

Testing the performance

At the customer's request, Speck offers the following tests:

Hydraulic tests

Measurement according to DIN EN ISO 9906, Class II, Acceptance Class 2B, Edition March 2013

NPSH test

In this test, the suction-side pressure is gradually reduced until the decrease in the delivered head reaches 3 % at a constant flow rate. At least four flows are evaluated that are spread appropriately over the admissible operating range. The NPSH value is not a guarantee point.

Vibration test

Vibration test according to EN ISO 5199, Edition 2002

The vibration values are measured radially and vertically at every operating point on the bearing casing at the nominal speed and with the corresponding flow rate.

Temperature measurement

The measurement is taken on the motor-side bearing at operating temperature. The operating temperature and the ambient temperature at every operating point measured are documented.



Computer-controlled and fully automated test stands on the premises of Speck in Roth.

Measuring of hydraulics, power requirements, axial thrust, vibrations and NPSH values. Heads of up to 400 m and flow rates of up to 750 m³/h are possible.

Further data and notes

Standard conditions at site

- » Ambient temperature from - 20 °C to + 40 °C
- » Permissible altitude up to 1000 m above seal level

Deviations from the site conditions specified herein must already be disclosed in the inquiry.

Painting

The pumps are coated with highly heat-resistant white aluminium paint, colour code RAL 9006.

Dimensioning

Assessment of the maximum pump outlet pressure

- The pump outlet pressure at the pump nozzle depends on
- » the pump inlet pressure
 - » the maximum total head of the selected impeller diameter
 - » the density of the medium to be pumped

The maximum pump outlet pressure $p_{2\max\text{ op}}$ is calculated using the formula:

$$p_{2\max\text{ op}} = p_{1\max\text{ op}} + \rho \cdot g \cdot H \cdot 10^{-5}$$

With:

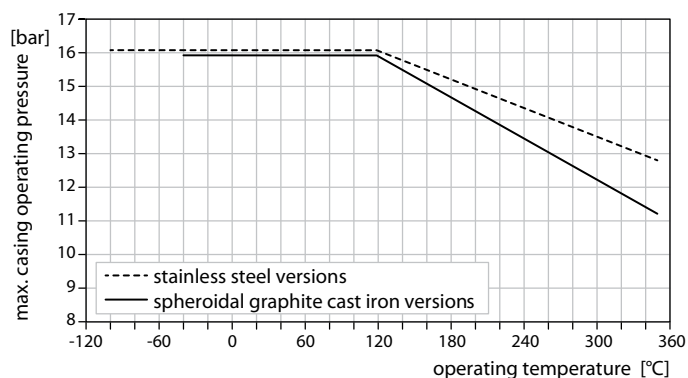
- $p_{2\max\text{ op}}$ = maximum pump outlet pressure [bar]
- $p_{1\max\text{ op}}$ = maximum pump inlet pressure [bar]
- ρ = density of the medium to be pumped [kg/m^3]
- g = gravitation constant [m/s^2]
- H = maximum total head at zero flow or at the peak of the pump's characteristic curve at the selected impeller diameter [m]

Pumps must be selected and operated in a way which ensures that the maximum pump outlet pressure does by no means exceed the maximum permissible operating pressure of the casing $p_{\text{all w c}}$ at operating pressure.

This also applies to commissioning while the discharge valve is closed (refer to diagram).

Pressure and temperature limitations

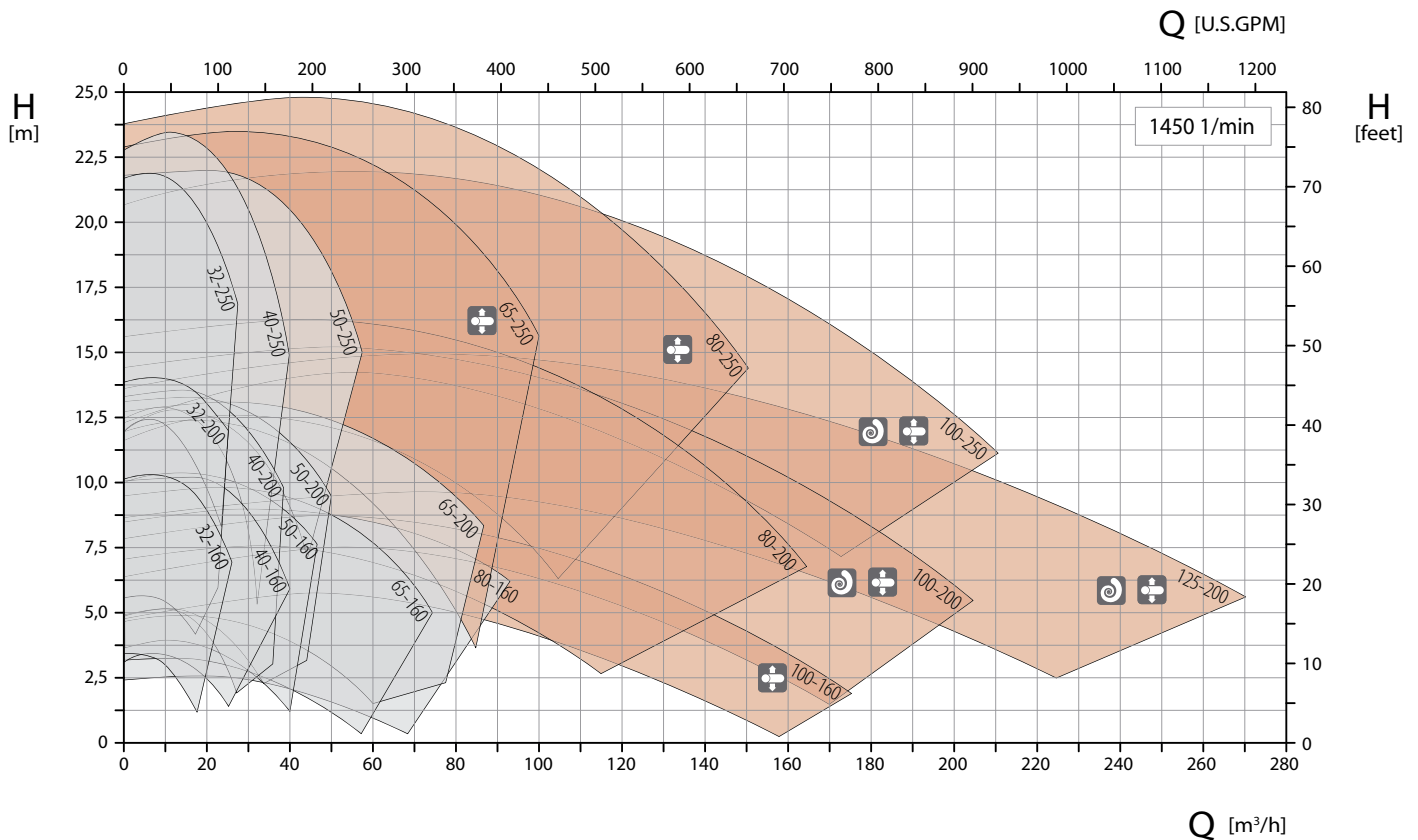
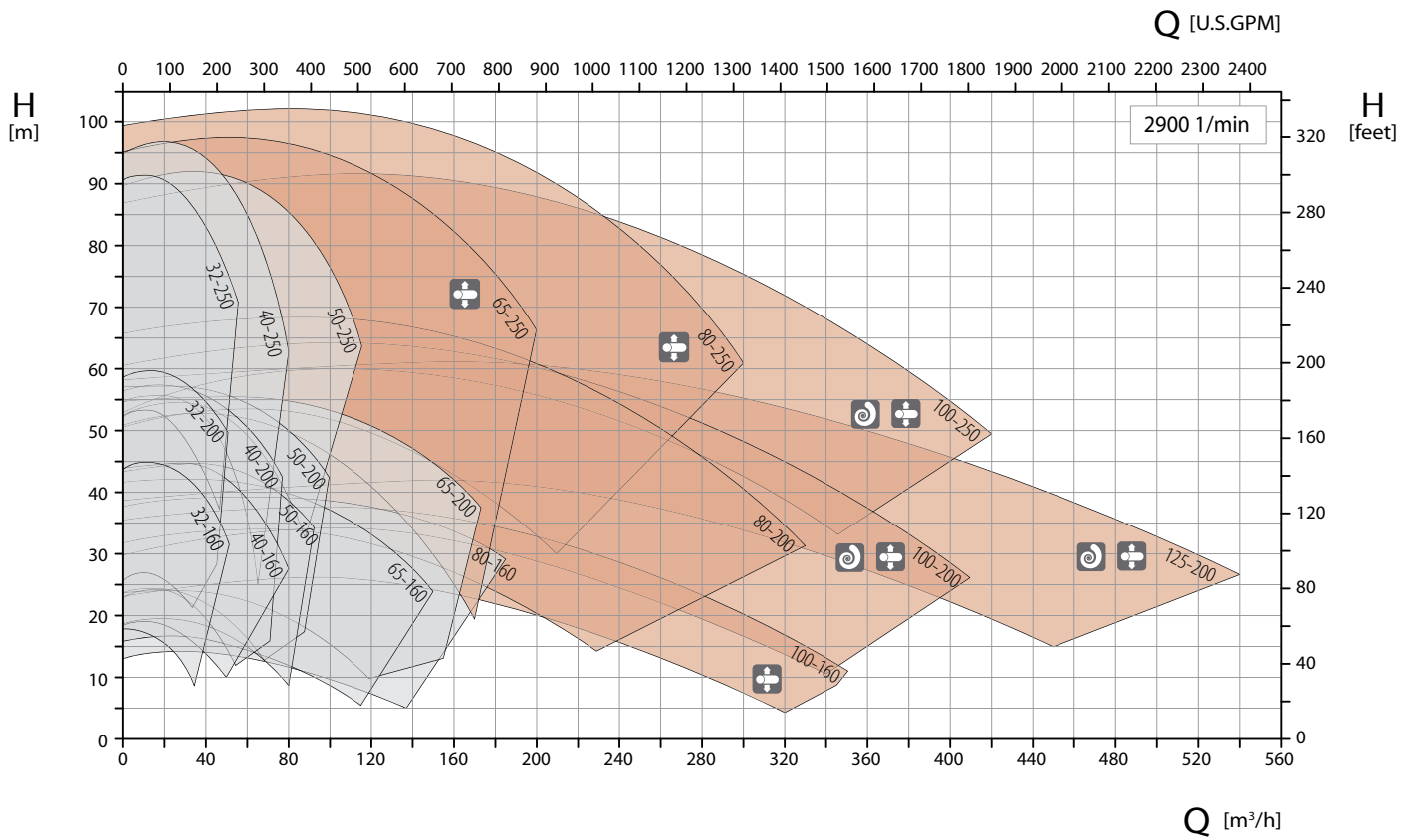
The maximum casing operating pressure $p_{\text{all w c}}$ of the pressure retaining parts depends on the operating temperature:



Maximum permissible casing operating pressure $p_{\text{all w c}}$

TOEMN / TOEMA – Characteristic curves

50 Hz



Bearing bracket 360

Bearing bracket 470

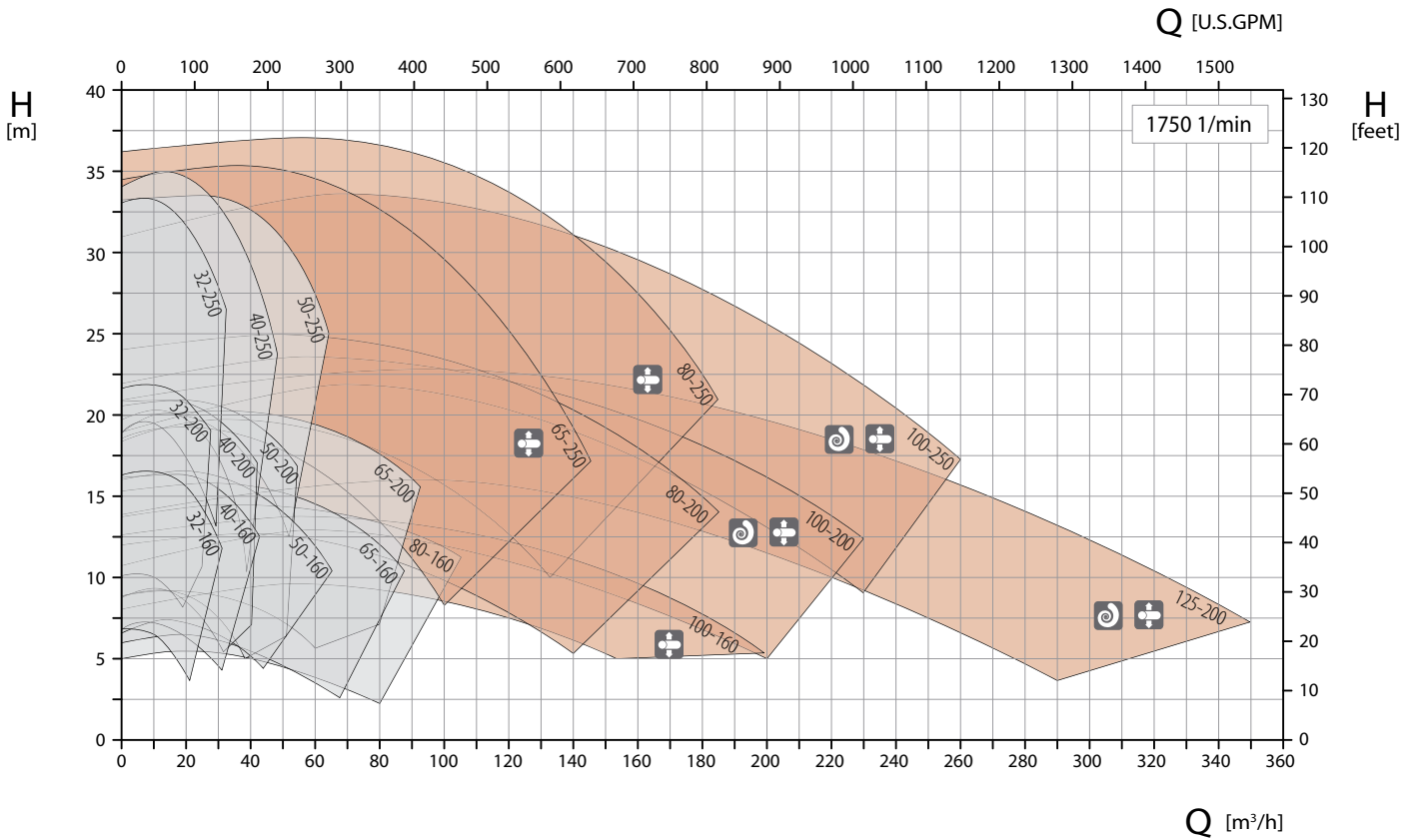
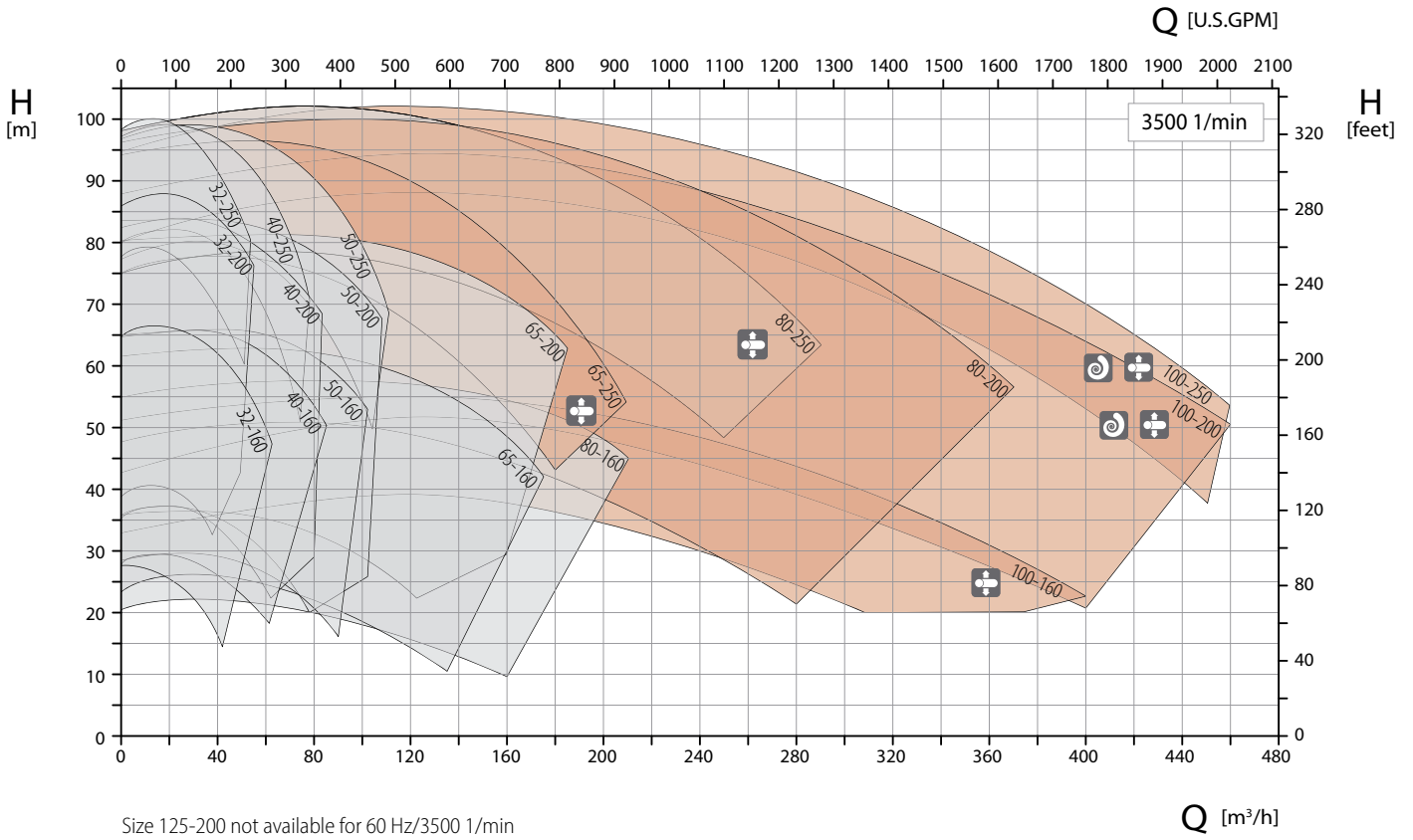


Casing with double volute



Casing with centreline mounting

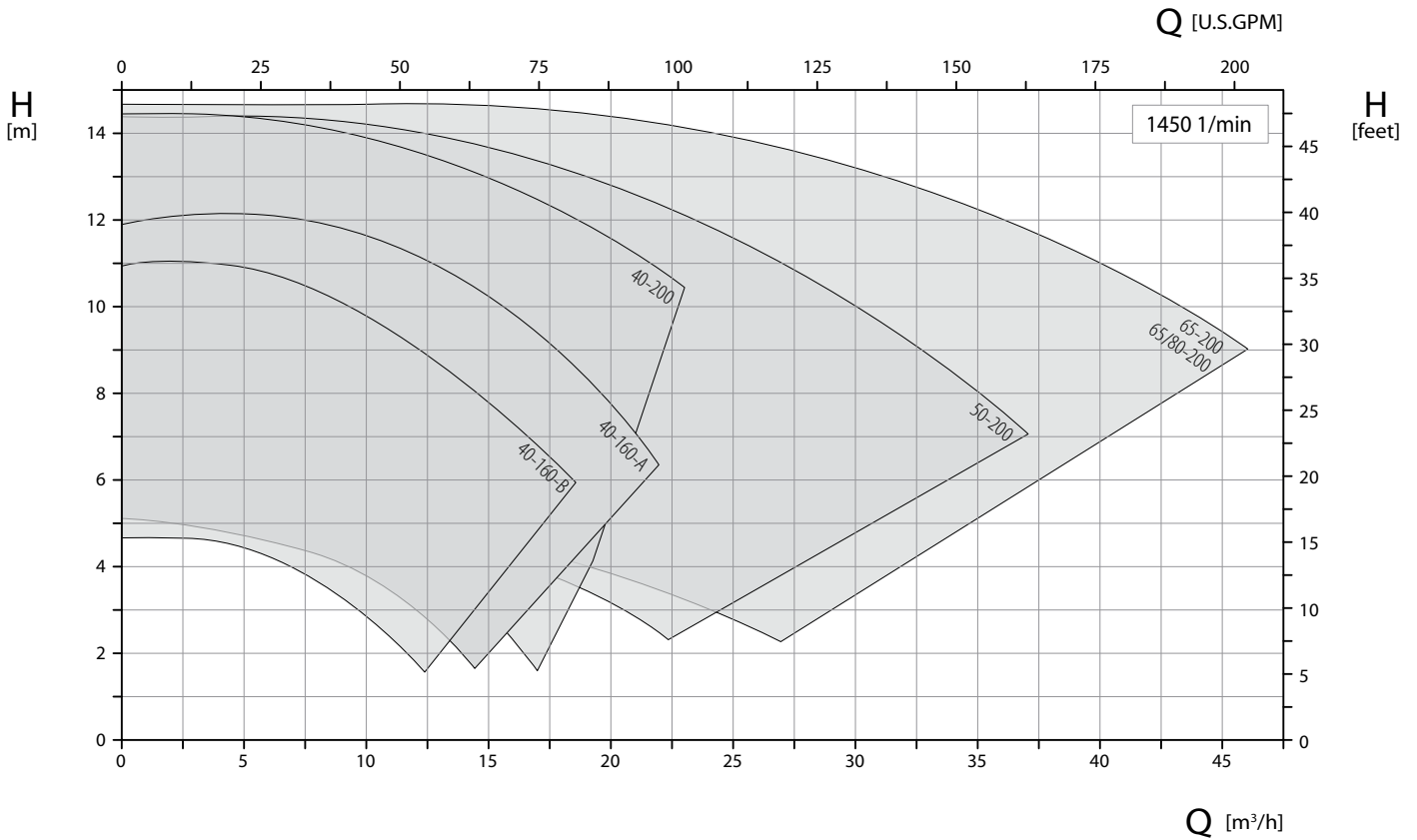
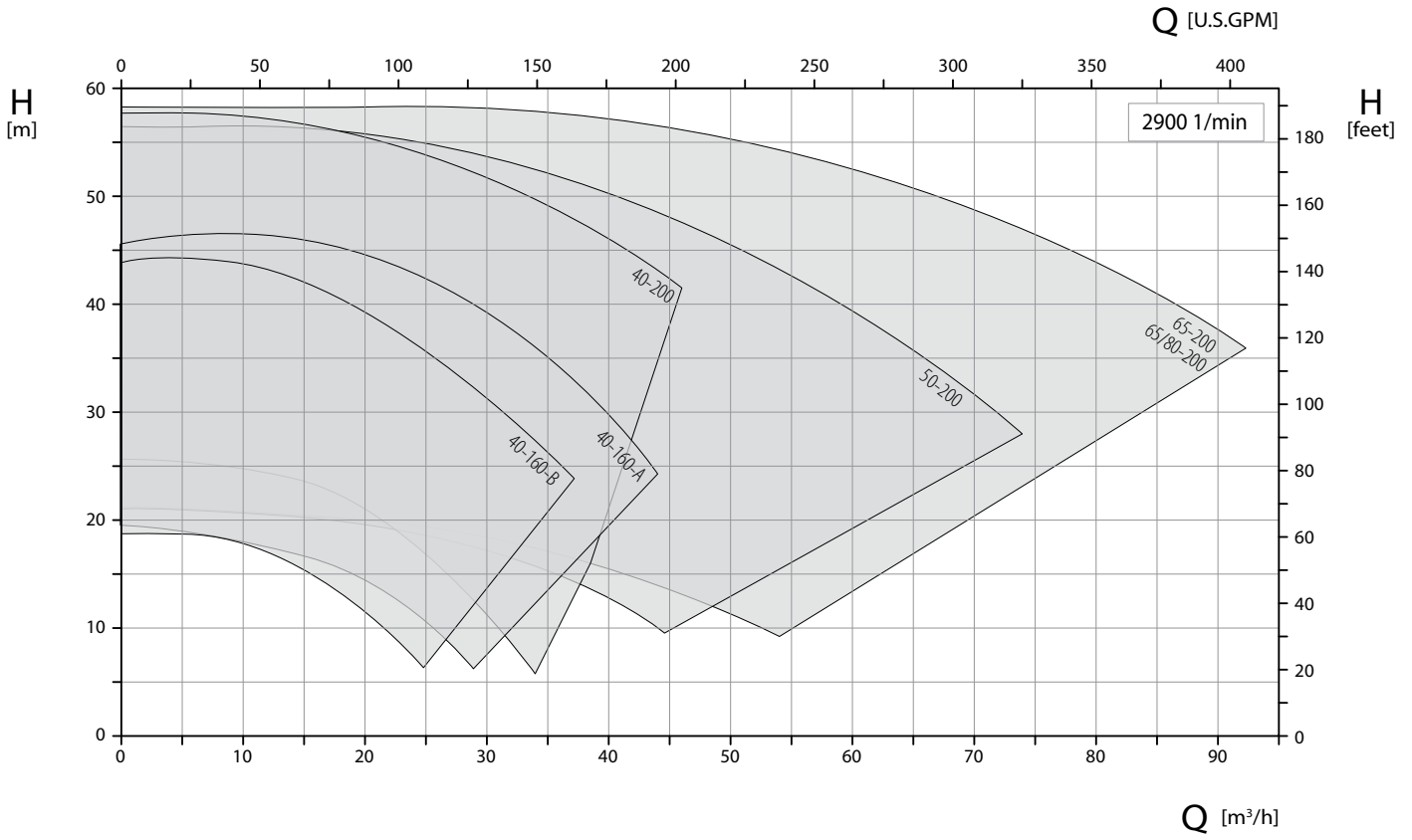
60 Hz



Bearing bracket 360 **Bearing bracket 470** Casing with double volute Casing with centreline mounting

TOEMI – Characteristic curves

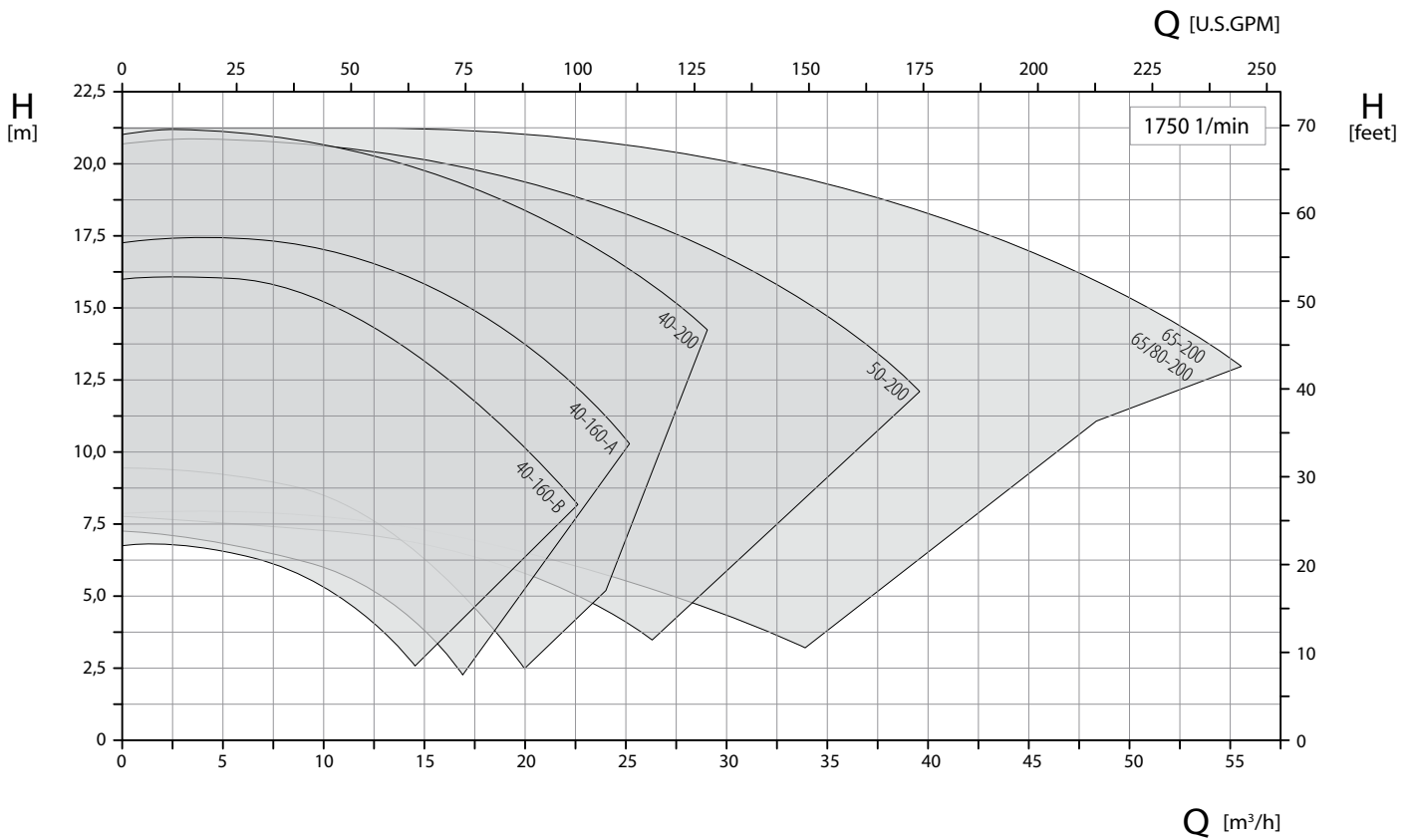
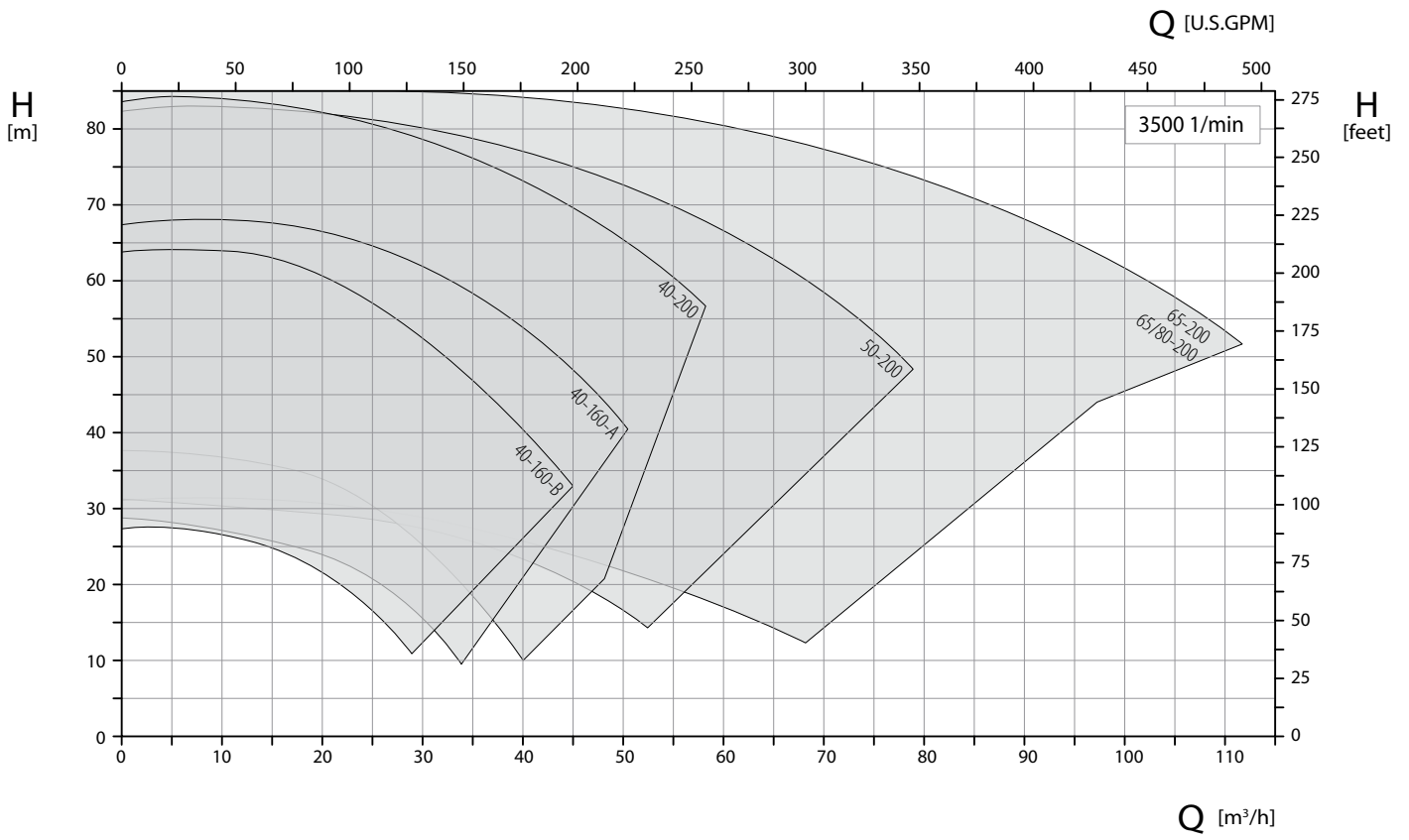
50 Hz



Bearing bracket 360

Size 40-160 with hydraulics A or B available

60 Hz



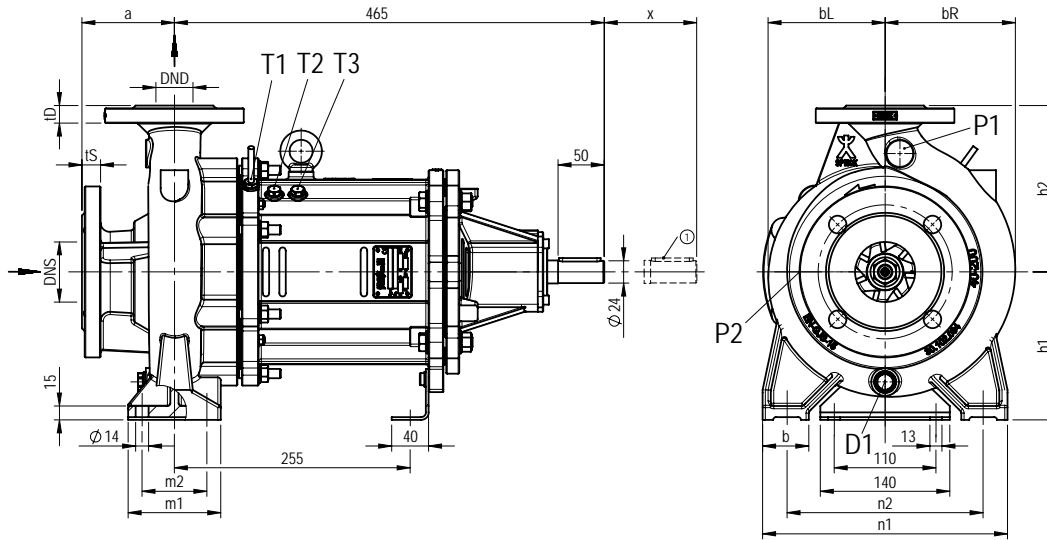
Bearing bracket 360

Size 40-160 with hydraulics A or B available

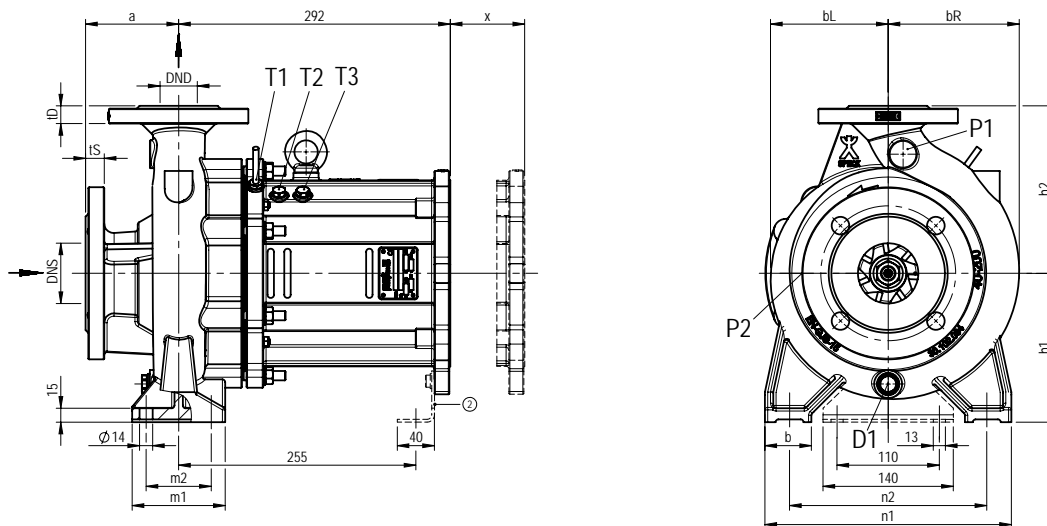
TOEMN / TOEMA – Dimensions and connections

Bearing bracket 360

TOEMN



TOEMA



Size	DNS	DS	tS	DND	DD	tD	a	bL	bR	h1	h2	b	m1	m2	n1	n2	x
32-160	50	165	20	32	140	15	80	116	121	132	160	50	100	70	240	190	110
32-200	50	165	20	32	140	18	80	123	135	160	180	50	100	70	240	190	110
32-250	50	165	20	32	140	18	100	152	163	180	225	65	125	95	320	250	110
40-160	65	185	20	40	150	18	80	123	129	132	160	50	100	70	240	190	110
40-200	65	185	20	40	150	18	100	127	141	160	180	50	100	70	265	212	110
40-250	65	185	20	40	150	18	100	151	160	180	225	65	125	95	320	250	110
50-160	65	185	20	50	165	20	100	123	136	160	180	50	100	70	265	212	110
50-200	65	185	20	50	165	20	100	130	148	160	200	50	100	70	265	212	110
50-250	65	185	20	50	165	20	100	157	170	180	225	65	125	95	320	250	110
65-160	80	200	22	65	185	20	100	124	151	160	200	65	125	95	280	212	110
65-200	80	200	22	65	185	20	100	136	164	180	225	65	125	95	320	250	110
80-160	100	220	24	80	200	22	125	139	174	180	225	65	125	95	320	250	110

Utility connections

P1	G 1/4	Manometer connection pressure-side (without bore)
P2	G 1/8	Manometer connection suction-side (without bore)
D1	G 3/8	Drainage volute casing
T1	G 1/4	Temperature sensor PT 100 (magnetic coupling 110 / 135 / 165)
T2	G 1/4	Temperature sensor PT 100 (magnetic coupling 75)
T3	G 1/4	Temperature sensor PT 100 (magnetic coupling 60)

① Fitting key DIN 6885

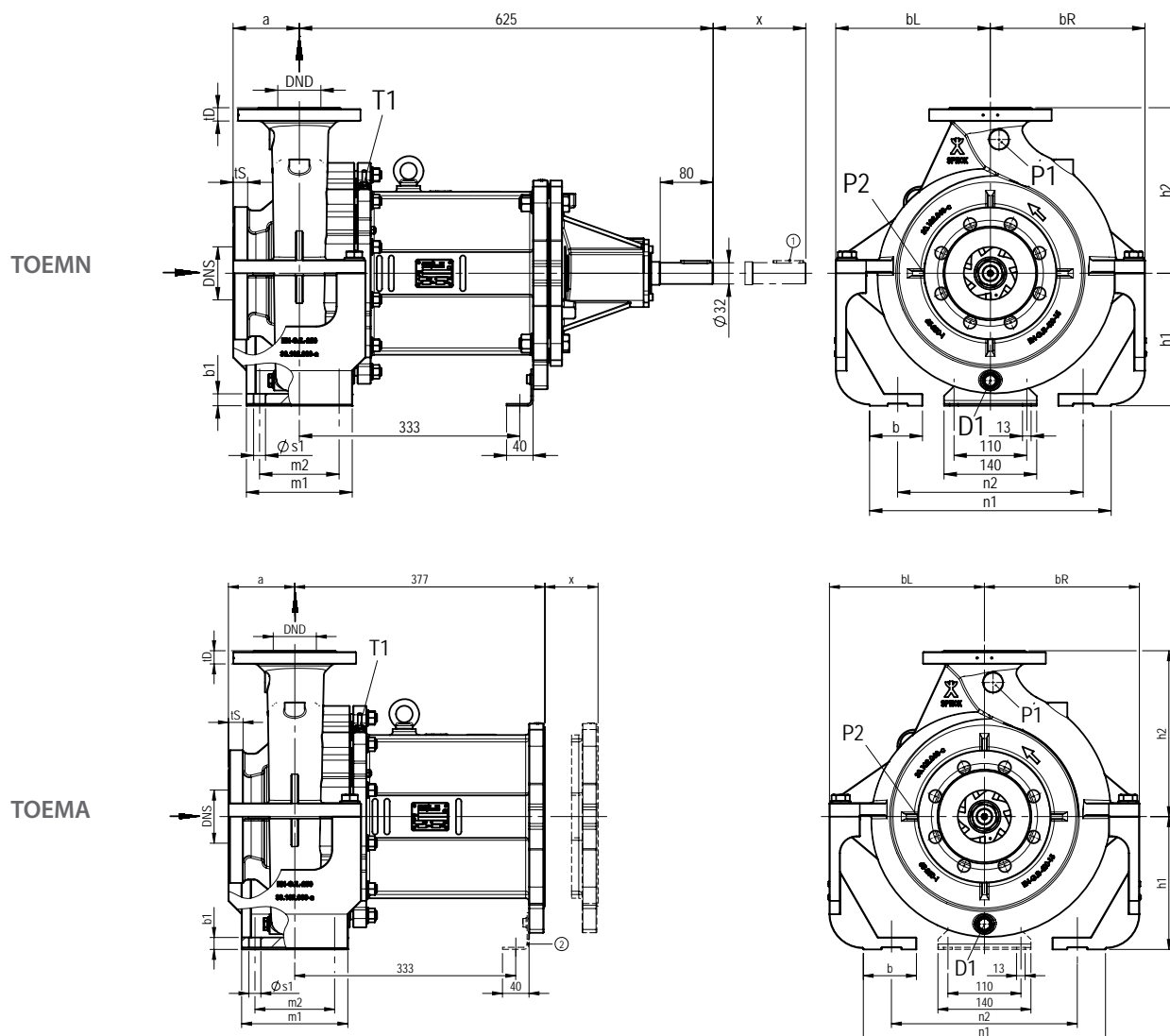
② Feet applicable for motor design B5 only

x = Dismantling dimension

Flange dimensions → page 16

TOEMN / TOEMA – Dimensions and connections

Bearing bracket 470



Size	DNS	DS	tS	DND	DD	tD	a	bL	bR	h1	h2	b	b1	m1	m2	n1	n2	ø s1	x
65-250	80	200	22	65	185	20	100	233,5	233,5	200	250	80	18	160	120	360	280	18	140
80-200 ¹	100	220	24	80	200	22	125	162,5	191	180	250	65	15	125	95	345	280	14	140
80-250 ²	100	220	24	80	200	22	125	181	206,5	200	280	80	18	160	120	400	315	18	140
100-160	125	254	26	100	230	25	125	233,5	233,5	200	280	80	18	160	120	360	280	18	140
100-200 ³	125	254	26	100	230	25	125	233,5	233,5	200	280	80	18	160	120	360	280	18	140
100-250 ³	125	254	26	100	230	25	140	230	230	225	280	80	18	160	120	400	315	18	140
125-200 ³	150	285	26	125	254	26	140	262	262	250	315	80	18	160	120	400	315	18	140

¹ Casing with feet resp. without centreline mounting

² Casing with feet – as of 2015 casing with centreline mounting

³ Casing with double volute

Utility connections

P1 G 1/4 Manometer connection pressure-side (without bore)

P2 G 1/8 Manometer connection suction-side (without bore)

D1 G 3/8 Drainage volute casing

T1 G 1/4 Temperature sensor PT 100 (magnetic coupling 110 / 135 / 165)

① Fitting key DIN 6885

② Feet applicable for motor design B5 only

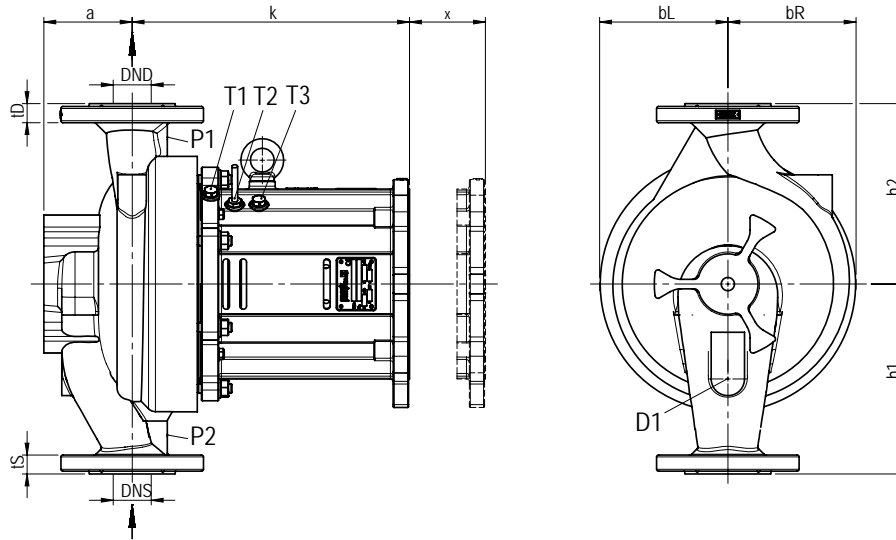
x = Dismantling dimension

Flange dimensions → page 16

TOEMI – Dimensions and connections

Bearing bracket 360

TOEMI



Size	Casing	DNS	DND	a	DD	DS	tD	tS	bL	bR	h1	h2	k	x
40-160	INA	40	40	97	150	150	20	20	116	116	200	190	395,5	110
40-160	INB	40	40	97	150	150	20	20	116	116	180	160	395,5	110
40-200	INA	40	40	93	150	150	20	20	135	135	200	190	399,5	110
50-200	INA	50	50	102	165	165	21	21	126	139	220	205	399,5	110
50-200	INB	50	50	92	165	165	21	21	126	139	200	180	409,5	110
65-200	INA	65	65	112	185	185	23	23	131	151	240	225	400,5	110
65/80-200	INB	80	80	112	200	200	23	23	131	151	255	225	400,5	110

Utility connections

P1 G 1/4 Manometer connection pressure-side (without bore)

P2 G 1/8 Manometer connection suction-side (without bore)

D1 G 3/8 Drainage volute casing

T1 G 1/4 Temperature sensor PT 100 (magnetic coupling 110 / 135 / 165)

T2 G 1/4 Temperature sensor PT 100 (magnetic coupling 75)

T3 G 1/4 Temperature sensor PT 100 (magnetic coupling 60)

x = Dismantling dimension

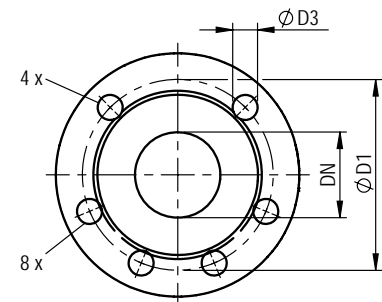
Flange dimensions

Flanges in acc. with DIN EN 1092-2

DN	øD1	øD3	Holes
32	100	19	4
40	110	19	4
50	125	19	4
65	145	19	4
80	160	19	8
100	180	19	8
125	210	19	8
150	240	23	8

Flanges in acc. with DIN EN 1092-2, drilled in acc. with ANSI 150 lbs

DN	øD1	øD3	Holes
32	88,9	16	4
40	98,6	16	4
50	120,7	19	4
65	139,7	19	4
80	152,4	19	4
100	190,5	19	8
125	215,9	22	8
150	241,3	22	8



Interchangeability of parts

All series including the versions with mechanical seal (→ brochure TOEGN/GA/GI series) offer a high degree of interchangeability.

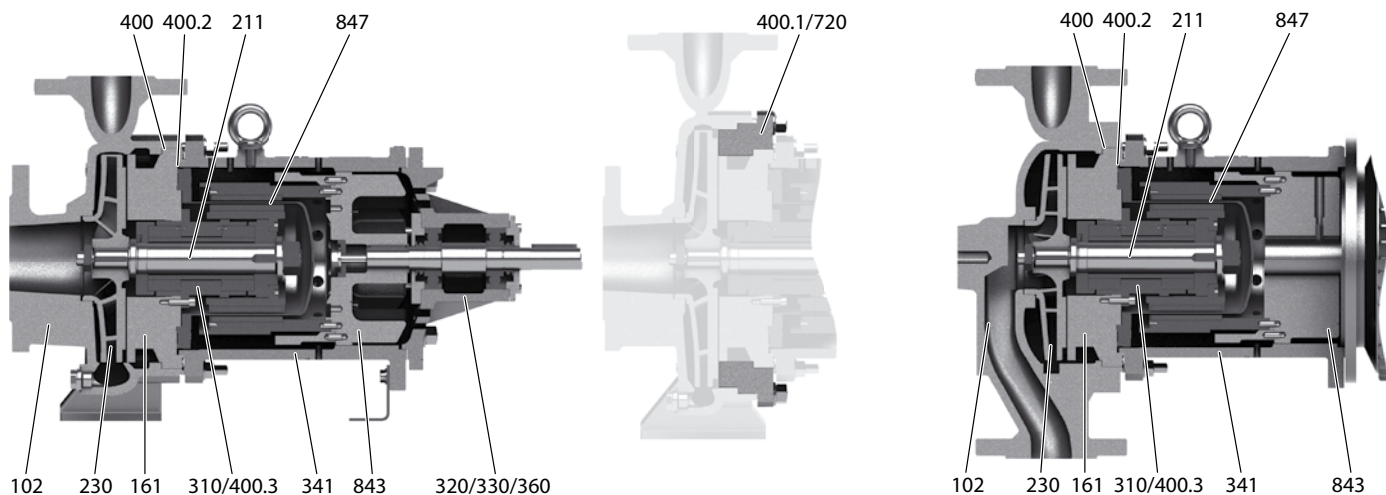
Same components within TOEMN/MA/MI series

Compare only numbers within one **row**:

- 1 and 1 = same number means same component
- 1 and 2 and ... = different numbers mean different components

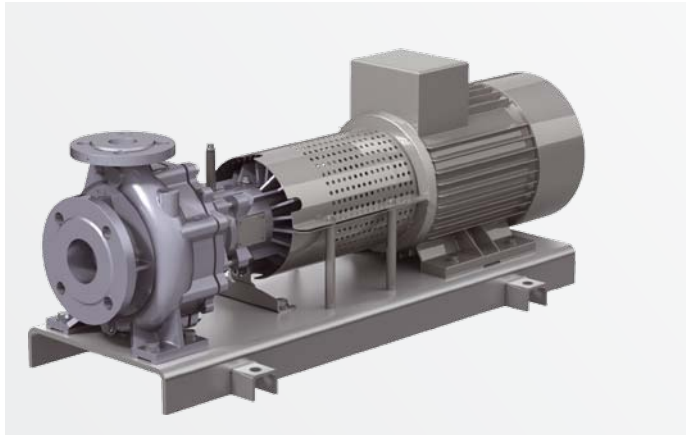
Component	No.	Series	Pump size																		
			32-160	32-200	32-250	40-160	40-200	40-250	50-160	50-200	50-250	65-160	65-200	80-160	65-250	80-200	80-250	100-160	100-200	100-250	125-200
Bearing bracket complete ¹	–	MN MA MI	1	2	1	2	1	2	1	2	1	2	1	3	4	3	5	4	3	4	
Volute casing	102	MN MA –	1	2	3	4	5	6	7	8	9	10	11	12	13	14	15	16	17	18	19
		– – MI				20	21			22			23								
Casing cover	161	MN MA MI	1	2	1	2	1	2	1	2	1	2	1	3	4	3	5	4	3	4	
Shaft	211	MN MA MI	1										2								
Impeller	230	MN MA –	1	2	3	4	5	6	7	8	9	10	11	12	13	14	15	16	17	18	19
		– – MI				1	20			5			8								
Sleeve bearing ¹	310	MN MA MI	1 ¹										2 ¹								
Bearing casing / rolling bearing / bearing cover	330 / 320 / 360	MN – –	1										2								
Bracket	341	MN MA MI	1										2								
Flat gasket	400	MN MA MI	1										2								
Flat gasket	400.1	MN MA –			1			1			1										
Flat gasket	400.2 / 400.3	MN MA MI	1 ¹										2 ¹								
Counter flange	720	MN MA –			1			1			1										
Coupling insert ¹	843	MN MA MI	1 ¹										2 ¹								
Magnetic coupling complete ¹	847	MN MA MI	1 ¹										2 ¹								
further parts	–	MN MA MI	1										2								

¹ Interchangeable with identical sizes of magnetic coupling only.



Pumps for heat transfer technology

Centrifugal pumps with mechanical seal



Modular system

TOEG and TOEM series mean a consistent designed modular system. Hydraulics and the main part of the used components are identical and interchangeable.

TOEG Series

These pumps are designed for circulating organic or synthetic heat transfer oils in heat transfer plants in acc. with DIN 4754, as well as hot water.

Suitable for media to be pumped with little non-abrasive contaminations

	Thermal oil versions	Hot water versions
Media	Heat transfer oil / thermal oil	Water
T_{min}	- 30 °C	-
T_{max}	+ 350 °C	+ 160 °C, + 180 °C on request
Casing	Spheroidal graphite cast iron	
Nominal pressure	PN 16	
H_{max} (2900 min ⁻¹)	100 m	
Q_{max} (2900 min ⁻¹)	550 m ³ /h	
ATEX	II 2GD IIC cb TX	

Description in full length → see brochure TOEG series

Regenerative turbine pumps with magnetic coupling



NPY-MK and CY-MK Series

Tried and tested and compact close-coupled pumps with top/top casings and magnetic coupling. Developed for transporting and circulating organic or synthetic heat transfer oils and hot water. Suitable for pumped media with low amounts of non-abrasive impurities. Suitable for the delivery of gas shares due to the principle of delivery.

	Thermal oil versions	Hot water versions
Media	Heat transfer oil / thermal oil	Water
T_{min}	- 100 °C	-
T_{max}	+ 350 °C + 400 °C on request	+ 200 °C higher temp. on request
Casing	Spheroidal graphite cast iron or stainless steel	
Nominal pressure	PN 25 higher pressures on request	
H_{max} (2900 min ⁻¹)	90 m	
Q_{max} (2900 min ⁻¹)	12 m ³ /h (200 l/min) 24 m ³ /h (400 l/min) on request	
ATEX	II 2GD IIC cb TX	

Compact, robust, durable and safe

Regenerative turbine pumps with magnetic coupling from Speck have been used in a wide range of systems and assemblies successfully for many years. The compact design requires minimal installation space and reduces the weight. The perfected pumps also impress with the small number of extremely high-quality parts.

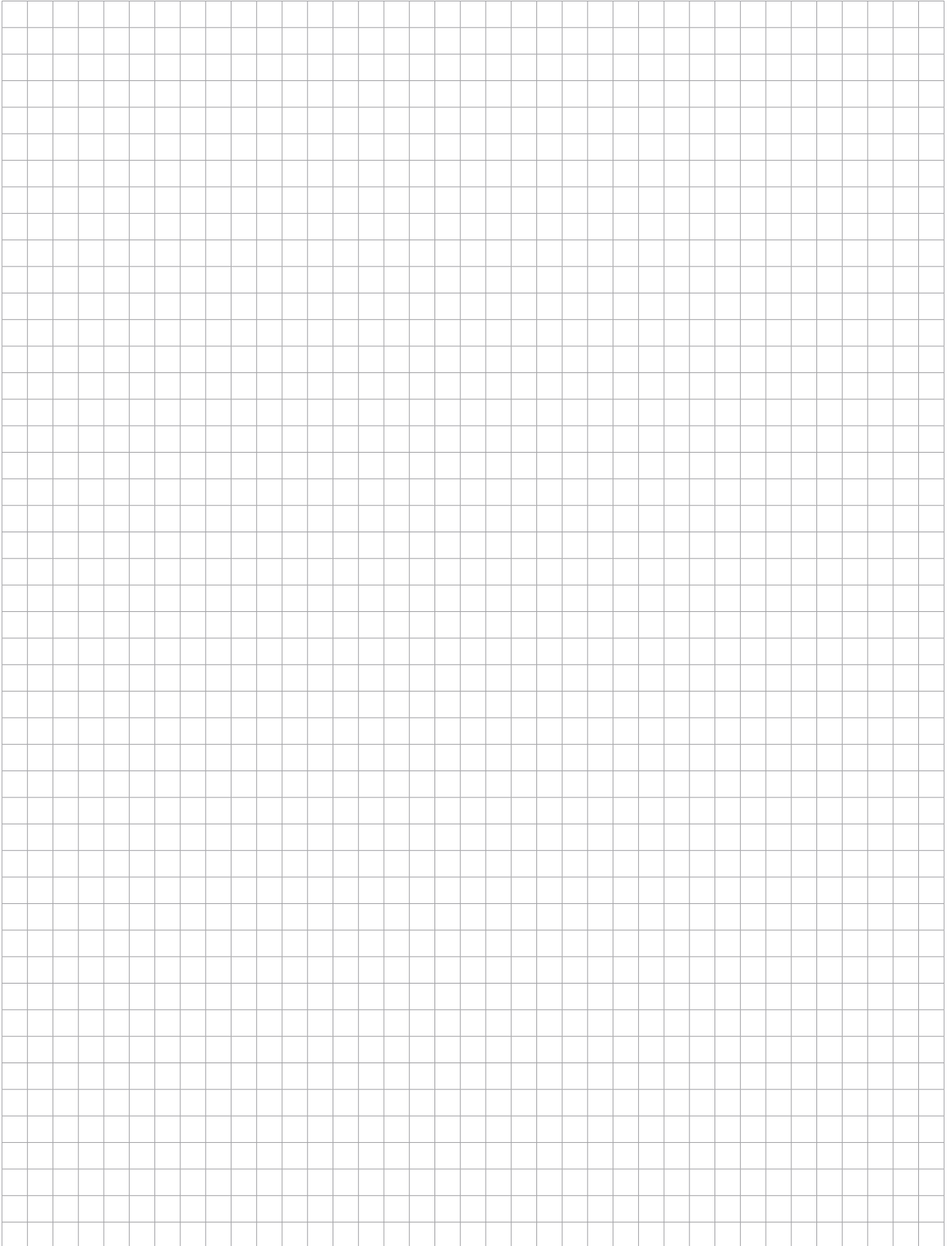
Robust sleeve bearings made from SiC and ceramic shafts guarantee a long lifetime and are free from leakage and maintenance-free thanks to magnetic couplings.

On request, Speck can also develop special designs for special media or with different hydraulics. Please contact us.

Your notes



Your notes



Representatives

- Produktion / Production
- ▣ Vertrieb / Sales
- Service / Service

Speck Pumpen Walter Speck GmbH & Co. KG

Speck Pumpen Systemtechnik GmbH

Speck Pumpen Vakuumentchnik GmbH

Regensburger Ring 6 - 8, 91154 Roth
T: +49 91 71 809 0
F: +49 91 71 809 10
info@speck.de
www.speck.de

Speck Office Nord Ingenieure Willy Wandrach GmbH

Flurstraße 105
22549 Hamburg
T: +49 40 398 624 0
F: +49 40 398 624 28
info@speck-nord.de
www.speck-nord.de

Speck Office Mitte Grotthaus-Steinweg Str. 1c 38112 Braunschweig

T: +49 531 23 000 90
info@speck-mitte.de
www.speck-mitte.de

Speck Office West Robert-Koch-Straße 22 40764 Langenfeld

T: +49 21 73 914 560
info@speck-west.de
www.speck-west.de

Speck Office Ost Dahlener Str. 7a 04889 Belgern-Schildau

T: +49 34 221 557 812
info@speck-ost.de
www.speck-ost.de

Speck Office Südwest Frankenstr. 9 67227 Frankenthal

T: +49 62 33 354 80 57
info@speck-suedwest.de
www.speck-suedwest.de

IVT-Pumpen GmbH Zum Wischfeld 1 A 31749 Auetal

T: +49 57 52 929 597
F: +49 57 52 929 599
info@ivt-pumpen.de
www.ivt-pumpen.de

FSE Fluid Systems Erfurt Poeler Weg 6 99005 Erfurt

T: +49 36 1 550 715 0
F: +49 36 1 550 715 19
info@fluidsystems.org
www.fluidsystems.org

Vacuum pumps Arpuma GmbH Ottostraße 10 50170 Kerpen

T: +49 22 73 953 300 0
F: +49 22 73 953 300 20
info@arpuma.de
www.arpuma.de

International

A Austria

■ Tuma Pumpensysteme GmbH
Eitnergasse 12
1230 Wien
T: +43 1 91 493 40
F: +43 1 91 414 46
contact@tumapumpen.at
www.tumapumpen.at

AUS Australia

■ Speck Pumpen Subsidiary
Speck Industries Pty Ltd.
Unit 2
6 Glory Road
Gnangara WA 6077
T: 1300 207 380
F: +61 8 6201 1286
sales@speckaustralia.com
www.speckaustralia.com

B Belgium

Heat transfer pumps / Pompes pour
fluid thermique
■ FLOWMOTION BVBA
Mergelweg 3
1730 Asse
T: +32 2 309 67 13
F: +32 2 309 69 13
info@flowmotion.be
www.flowmotion.be

Speck - Pompen België N.V.

Bierweg 24
9880 Aalter
T: +32 937 530 39
F: +32 932 900 17
info@speckpompen.be
www.speckpompen.be

BG Bulgaria

■ EVROTECH OOD
54 A, Manastirska Str.
1111 Sofia
T: +359 2 971 32 73
F: +359 2 971 22 88
office@evrotech.com
www.evrotech.com

CH Switzerland

■ Speck Pumpen Subsidiary
Speck Pumpen Industrie GmbH
Bürglenweg 4
8854 Galgenen
T: +41 554 425 094
F: +41 554 425 094
info@speckswitzerland.com
www.speckswitzerland.com

HänYTEC AG

Pumpen-Prozesse-Service
Lättfeld 2
6142 Gettnau
T: +41 62 544 33 00
F: +41 62 544 33 10
contact@haenytec.ch
www.haenytec.ch

MEYER ARMATUREN PUMPEN GMBH

Rigackerstrasse 19
5610 Wohlen
T: +41 56 622 77 33
F: +41 56 622 77 60
info@meyer-armaturen.ch
www.meyer-armaturen.ch

China

■ Speck Pumpen Subsidiary
Jiashan SPECK PUMPS
Systemtechnik Ltd.
No. 57, Hong Qiao Rd., Hulimin Street
No. 4 Economical Developing Zone,
314100 Jiashan Xian,
Zhejiang Province
T: +86 573 847 312 98
F: +86 573 847 312 88
steveche@speck-pumps.cn
www.speck-pumps.cn

CZ Czech Republic

■ Sigmēt spol s.r.o.
Kosmonautů c.p. 1103/6a
77200 Olomouc
T: +420 585 231 070
F: +420 585 227 072
sigmet@sigmet.cz
www.sigmet.cz

DK Denmark

■ Pumpegruppen a/s
Lundtoftegårdsvej 95
2800 Lyngby
T: +45 459 371 00
F: +45 459 347 55
info@pumpegruppen.dk
www.pumpegruppen.dk

E Spain

■ Speck Pumpen Subsidiary
SPECK BOMBAS INDUSTRIALES,
S.L.U.
Trafalgar, 53 despacho 6
Centro de Negocios CNAF
46023 Valencia
T: +34 963 811 094
F: +34 963 811 096
M: +34 618 376 241
ventas@speckbombas.es
www.speck.de

F France

■ Speck Pumpen Subsidiary
Speck Pompes Industries S.A.
Z.I. Parc d'Activités du Ried
4, rue de l'Energie
B.P. 227
67727 Hoerdt Cedex
T: +33 3 88 68 26 60
F: +33 3 88 68 16 86
info@speckpi.fr

GB Great Britain

■ Speck ABC UK Ltd
Areena House
Moston Road,
Elworth, Sandbach
Cheshire CW11 3HL
T: +44 844 764 063 2
F: +44 844 764 063 4
admin@speck-abc.com
www.speck-abc.com

GR Greece

■ SPECK Hellas
Salaminos St. 54
17676 Kallithea
T: +30 210 956 500 6
F: +30 210 957 747 3
grecha@speckhellas.gr

I Italy

Centrifugal pumps / Pompe centrifughe
■ Speck Industries S.r.l.
Via Garibaldi, 53
20010 Canegrate (MI)
T: +39 0331 405 805
M: +39 339 16 59 440
info@speckindustries.it
www.speckindustries.it

Vacuum pumps / Pompe per vuoto

■ Rio Nanta S.r.l.
Via Mauro Macchi, 42
20124 Milano
T: +39 028 940 642 1
F: +39 028 323 913
M: +39 339 658 781 6
rionanta@rionanta.it
www.rionanta.it

IL Israel

Small pumps /
heat transfer pumps
■ Ringel Brothers (1973) Ltd.
134 Hertzel St.
P.O. Box 5148
Tel-Aviv 66555
T: +972 368 255 05
F: +972 368 220 41
M: +972 544 623 095
mringel@ringel-bros.co.il
www.ringel-bros.co.il

IND India

■ Flux Pumps India Pvt. Ltd.
427/A-2, Gultekdi Industrial Estate
Near Prabhant Printing Press
Pune - 411 047, Maharashtra
T: +91 020 2427 1023
F: +91 020 2427 0689
M: +91 98504 03114
kiran.kadam@flux-pumps.in
www.flux-pumps.in

J Japan

■ Rodateq, Inc.
Suite 301 Oka Bldg,
2 - 1 - 16 Kiyomachibori, Nishiku
550 - 0003 Osaka
T: +81 664 441 940
F: +81 664 449 050
info@rodateq.co.jp
www.rodateq.co.jp

■ Rodateq, Inc.
Tokyo Branch
No. 408, 3 - 22 - 12
Highashi Ikebukuro, Toshima - ku
170-0013 Tokyo
T: +81 359 798 818
F: +81 359 798 817
roda-t@yo.rim.or.jp
www.rodateq.co.jp

L Luxembourg

Heat transfer pumps / Pompes pour
fluid thermique
■ FLOWMOTION BVBA
Mergelweg 3
1730 Asse
T: +32 2 309 67 13
F: +32 2 309 69 13
info@flowmotion.be
www.flowmotion.be

MAL Malaysia

■ Leesonmech
Engineering (M) Sdn. Bhd.
No. 18 Jalan 18, Taman Sri Kluang,
86000 Kluang, Johor
T: +607 777 105 5
F: +607 777 106 6
sales@leesonmech.com
www.leesonmech.com

N Norway

■ PG Flow Solutions AS
P.O. Box 154, 1378 Nesbru
Nye Vakaas Vei 14
1395 Hvalstad
T: +47 667 756 00
F: +47 667 756 01
post@pg-flowsolutions.com
www.pg-flowsolutions.com

NL Netherlands

Centrifugal pumps /
Centrifugaalpomp
■ Speck Pompen Nederland B.V.
Businesspark 7Poort
Stationspoort 10
6902 KG Zevenaar
T: +31 316 331 757
F: +31 316 528 618
info@speck.nl
www.speck.nl

Vacuum pumps / Vacuumpompen

■ DOVAC B.V.
Meer en Duin 228
2163 HD Lisse
T: +31 252 423 363
F: +31 252 417 946
info@dovac.nl
www.dovac.nl

Heat transfer pumps / Pompes pour fluid thermique

■ FLOWMOTION BVBA
Mergelweg 3
1730 Asse
T: +32 2 309 67 13
F: +32 2 309 69 13
info@flowmotion.be
www.flowmotion.be

NZ New Zealand

■ Speck Pumpen Subsidiary
Speck Industries Pty Ltd.
Unit 2
6 Glory Road
Gnangara WA 6077
T: +61 8 6201 1286
sales@speckaustralia.com
www.speckaustralia.com

P Portugal

■ Ultra Controlo
Projectos Industriais, Lda.
Quinta Lavi - Armazém 8
Abrunheira
27 10 - 089 Sintra
T: +351 219 154 350
F: +351 219 259 002
info@ultra-controlo.com
www.ultra-controlo.com

PL Poland

■ Krupinski Pompy Spółka z
Ograniczoną Odpowiedzialnością Sp.k.
ul. Przymarki 4A
31-764 Krakow
T + F: +48 126 455 684
biuro@krupinski.krakow.pl
www.krupinski.krakow.pl

RC Taiwan

■ Speck Pumpen Subsidiary
Speck Pumps
Technology Taiwan Ltd.
2Fl., no. 153, Sec 2
Datong Rd., Xizhi District
New Taipei City
T: +886 286 926 220
F: +886 286 926 759
M: +886 936 120 952
speck886@ms32.hinet.net
www.speck-pumps.com.tw

RCH Chile

■ W & F Ingeniería Y Maquinas S.A.
Felix de Amesti 90, Piso 6
Las Condes, Santiago
T: +56 2 220 629 43
F: +56 2 220 630 39
M: +56 9 8 289 222 0
rwendler@wfyf.cl
www.wfyf.cl

RI Indonesia

■ PT Roda Rollen Indonesia
Kompleks Pertokoan Glodok
Jaya No. 30
Jl. Hayam Wuruk,
Jakarta - Pusat
Indonesia, 11180
T: +6221 659 922 528
F: +6221 380 595 9
rudy@rodarollenindonesia.com

ROK Korea

■ J.C. International Inc.
2F, Bikeum Bldg. 108,
Yanghwa-Ro, Mapo-Gu,
121-893 Seoul
T: +82 232 628 00
F: +82 232 569 09
jylee@jcint.co.kr
www.jcint.co.kr

RO Romania

■ S.C. Gimsid S.R.L.
Str. Arcului nr. 9, Arp. 2
021031 Bucuresti
T: +40 21 2118701
F: +40 21 2102675
gimsid@gimsid.ro
www.gimsid.ro

RUS Russia

■ LLC Firm Kreoline
Yunosti str., 5/3
Moscow 111395
T: +7 495 737 321 4
F: +7 495 769 844 0
M: +7 495 505 198 8
info@kreoline.ru
www.kreoline.ru

S Sweden

■ Hugo Tillquist AB
P.O. Box 1120
16422 Kista
T: +46 859 463 200
F: +46 875 136 95
info@tillquist.com
www.tillquist.com

SK Slovak Republic

→ Czech Republic (CZ)

SLO Slovenia

■ SLOTEH Branko Gabric s.p.
Zagrebska cesta 20
2000 Maribor
T: +38 624 614 460
F: +38 624 614 465
branko.gabric@gamis.net
www.slothe.si

SGP Singapore

→ Malaysia (MAL)

T Thailand

■ Speck Pumpen Subsidiary
Pump Systems Flux &
Speck Co. Ltd.
181/4 Soi Anamai
Srinakarin Road
Suanluang Bangkok 10250
T: +662 320 256 7
F: +662 322 248 6
thienchai@fluxspeck.com
www.fluxspeck.com

TR Turkey

■ Speck Pompa
San. ve Tic. Ltd. Sti.
Ginne Mah., Kükükyalı Is Merkezi
B Blok No.12 Maltepe
34852 Istanbul
T: +90 216 375 750 5
F: +90 216 375 753 3
M: +90 532 293 010 4
speck@speckpompa.com.tr
www.speckpompa.com.tr

USA USA

■ Speck Pumpen Subsidiary
Speck Industries LP
301 Veterans Blvd
Rutherford
NJ 07070
T: +1 201 569 3114
F: +1 201 569 9607
info@speckamerica.com
www.speckamerica.com

ZA Rep. South Africa

■ SPP Pumps SA (Pty) Ltd.
Cnr Horne St & Brine Ave
Chloorkop Ext 23
Kempton Park
1619 Gauteng
R.S.A.
1619
T: +27 11 393 7177
F: +27 86 513 0255
sales@sppumps.co.za
www.sppumps.co.za



Speck Pumpen Systemtechnik GmbH
Postfach 1453 · 91142 Roth / Germany
Regensburger Ring 6 - 8 · 91154 Roth / Germany
Tel.: +49 (0) 91 71 809 - 0
Fax: +49 (0) 91 71 809 - 10
info@speck.de
www.speck.de