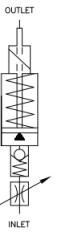


SV560

Precision Dispensing Pump
Solenoid Operated, Piston Driven
Output/Stroke: 35 μ l to 350 μ l



Valcor Dispensing / Metering Series



DESCRIPTION

The SV560 series dispensing pump is a solenoid operated piston driven pump that delivers a wide range of fluids with high precision. By combining the easily adjustable stroke of the pump with variable cycle rates, users have complete control of the volume and rate of dispense for specific applications. Wetted parts are stainless steel and Viton or EPDM, making this series suitable to handle a wide range of fluids.

APPLICATION

The SV560 series is a rugged construction suitable for a variety of dispensing applications such as the following:

- Adhesive or ink dispensing
- Reagents for analyzers or clinical instruments
- Water for humidifications systems
- Lubricants for automated equipment
- Chemicals for pools & spas
- Syrup & flavoring for soda machines
- Fragrance for personal products

FEATURES

- Adjustability over a wide range of operating conditions
- Volume output per stroke is adjusted by mechanically setting stroke
- Flow rate per minute is adjusted by frequency of operation
- Repeatability within 2%
- Self priming: can start dry and capable of lifting 3' of H₂O
- Handles fluid viscosity as high as 10,000 centistokes
- Maintenance free and long life
- Built-in mounting bracket

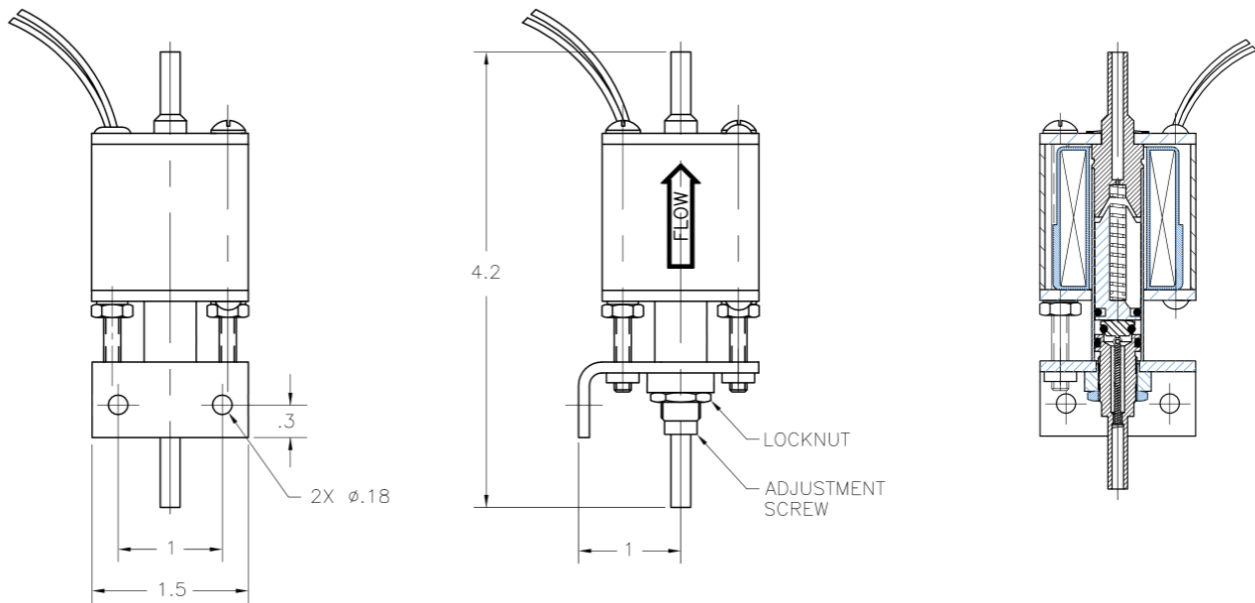


VALCOR SV560 SPECIFICATIONS

Construction

Pump Parts in Contact With Fluid

Wetted Materials 300/400 Series SS, EDPM or Viton, Silver (AC)



Electrical

Standard Voltages 115/60 Hz or 24/DC. Other voltages are also available. Consult factory.
 Standard Coil Housing General purpose with pigtail leads

Specifications

Precision Dispensing Pump

Tube Connection	3/16" ID flex tubing
Coil Construction	Class H, 10" Leads
Power	15 Watts (115/60 Hz & 24 DC)
Output per Stroke	35 to 350 µl
Max. Stroke per Minute	120 on H2O
Max. Dispense CAP Rate	42 ml/min
Max. Priming Height	36" of H2O
Minimum On-Time	250 milliseconds
Max.On-Time	6 second (DC) 1 second (AC)
Repeatability	±2%
Special Requirements	Consult Factory

Part Number Configurator

Series Number	Lead Option	Voltage	Elastomer
SV560	P = Pigtails	30H = 115/60 Hz	2 = Viton
	C = Conduit	56H = 24/DC	7 = EPDM

Example: SV560P30H-7 equals SV500 pump with pigtail leads, 115/60 AC coil, & EPDM elastomer.