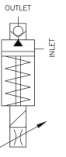


SV603

Isolation Diaphragm Precision Dispensing Pump
Solenoid Operated, Piston Driven
Output/Stroke: 100 μ l to 1500 μ l (AC)



Valcor Dispensing / Metering Series



DESCRIPTION

The SV603 series dispensing pump is a solenoid operated high purity piston driven pump that delivers a wide range of fluids with high precision. By combining the easily adjustable stroke of the pump with variable cycle rates, users have complete control of the volume and rate of dispense for specific applications. A flexible diaphragm isolates the fluid from any metallic parts. Wetted parts are Polypropylene and Santoprene or EPDM, making this series suitable to handle a wide range of fluids.

APPLICATION

The SV603 series is a rugged construction suitable for a variety of dispensing applications such as the following:

- Adhesive or ink dispensing
- Reagents for analyzers or clinical instruments
- Acidic and basic solutions
- Caustic fluids
- Chemicals for pools & spas
- Syrup & flavoring for soda machines
- Fragrance for personal products
- Analyzer sampling

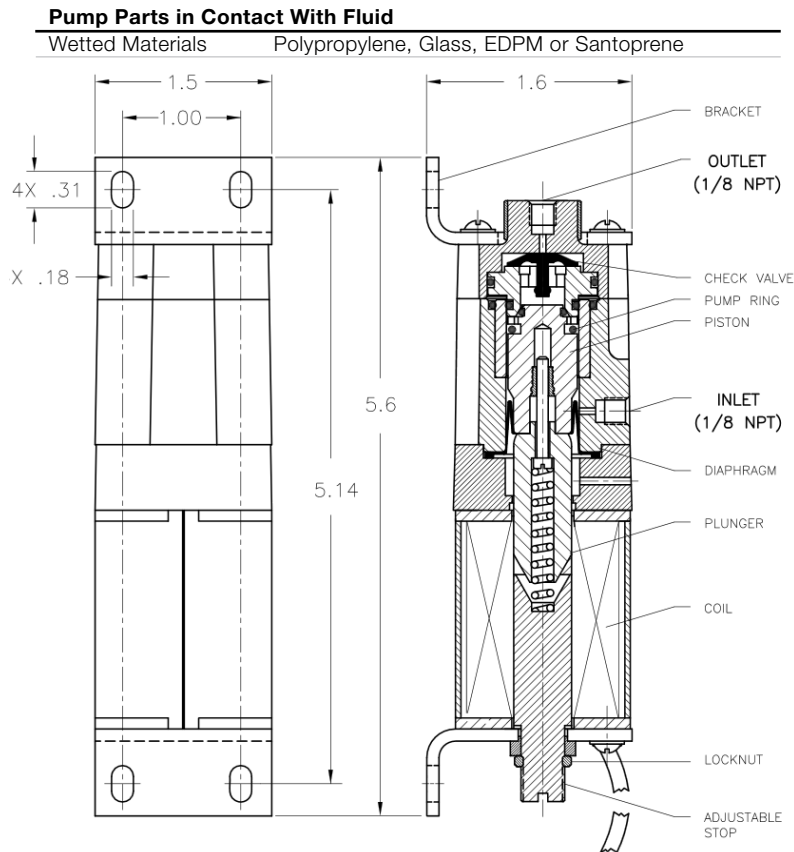
FEATURES

- Adjustability over a wide range of operating conditions
- Volume output per stroke is adjusted by mechanically setting stroke
- Flow rate per minute is adjusted by frequency of operation
- Repeatability within 2%
- Self priming: can start dry and capable of lifting 5' of H₂O
- Can handle fluid viscosity as high as 10,000 centistokes
- Maintenance free and long life
- Built-in mounting brackets



VALCOR SV603 SPECIFICATIONS

Construction



Electrical

Standard Voltages	115/60 Hz, 24/DC or 12/DC
Standard Coil Housing	General purpose with pigtail leads

Specifications

Precision Dispensing Pump

Tube Connection	1/8" NPT Min. inlet tube 3/16" I.D. Min. outlet tube 1/8" I.D.
Coil Construction	Class B, 18" Leads
Power	21 Watts (115/60), 21 Watts (24/DC, 12/DC)
Output Per Stroke	100 to 1500 μ l (AC) 100 to 1200 μ l (DC)
Max. Stroke Per Minute	120 on H ₂ O
Max. Dispense Rate	180 ml/min (AC) 144 ml/min (DC)
Max. Priming Height	60" of H ₂ O
Minimum On-Time	250 milliseconds
Max. On-Time	6 seconds
Repeatability	\pm 2%
Special Requirements	Consult Factory

Part Number Configurator

Series	Voltage	Elastomer
SV603P	115 = 115/60 Hz 24 = 24/DC 12 = 12/DC	E = EPDM/Santoprene

Example: SV603P115E equals SV603 pump with pigtail leads, 115/60 AC coil, EPDM elastomer

Note: This series is only available with pigtail leads.