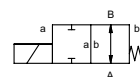
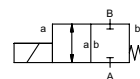


# coaxial valve

## type **MK 25** **FK 25**



**2/2 way valve** **direct acting**  
**pressure range** PN 0-100 bar  
**orifice** DN 25 mm  
**connection** thread/flange  
**function** valve normally closed  
 symbol **NC**  
 valve normally open  
 symbol **NO**



**⚠** Above stated body materials refer to the valve port connections that get in contact with the media only!

**design** pressure balanced, with spring return  
**body materials** ① brass ② steel, galvanized  
 ③ brass, nickel plated ⑤ without non-ferr. metals  
 ④ steel, nickel plated ⑥ stainless steel  
**valve seat** synthetic resin on metal  
**seal materials** NBR PTFE, FPM, CR, EPDM

**details needed**

- orifice
- port
- function NC/NO
- operating pressure
- flow rate
- media
- media temperature
- ambient temperature
- nominal voltage

	general specifications	options
<b>ports</b>	MK threads G 1 - G 1 1/2 FK flanges PN 16 / 40 / 100	special threads special flanges
<b>function</b>	NC	NO
<b>pressure range</b>	bar 0-16 / 0-40 / 0-64 / 0-100	> 100 bar upon request
<b>Kv value</b>	m³/h 11,2	
<b>vacuum</b>	leak rate	< 10 <sup>-6</sup> mbar·l·s <sup>-1</sup>
<b>pressure-vacuum</b>	P <sub>1</sub> ⇄ P <sub>2</sub>	upon request
<b>back pressure</b>	P <sub>2</sub> > P <sub>1</sub>	available (max. 16 bar)
<b>media</b>	gaseous - liquid - highly viscous - gelatinous - contaminated	
<b>abrasive media</b>		upon request
<b>damping</b>	opening	
	closing	available
<b>flow direction</b>	A ⇄ B as marked	bi-directional (max. 16 bar)
<b>switching cycles</b>	1/min 130	
<b>switching time</b>	ms opening 130 closing 130	
<b>media temperature</b>	°C DC: -20 to +100 AC: -20 to +100	-40 to +160 -40 to +160
<b>ambient temperature</b>	°C DC: -20 to +80 AC: -20 to +80	
<b>limit switches</b>		inductive / mech. (depend. on temperature)
<b>manual override</b>		available
<b>approvals</b>		LR/GL/WAZ
<b>mounting</b>		mounting brackets
<b>weight</b>	kg MK 8,0 FK 10,5	
<b>additional equipment</b>		upon request

**⚠** The valves' technical design is based on media and application requirements. This can lead to deviations from the general specifications shown on the data sheet with regards to the design, sealing materials and characteristics.

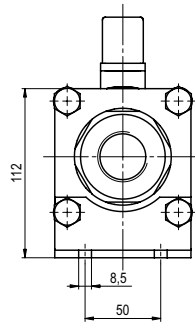
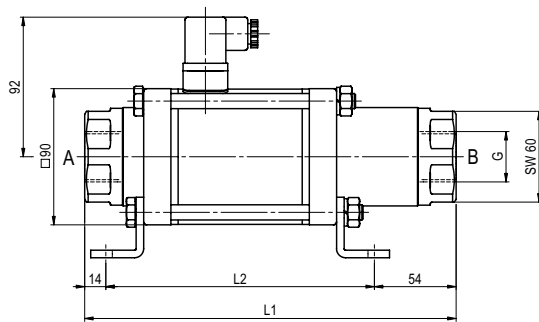
**⚠** If order or application specifications are incomplete or imprecise there exists a risk of an incorrect technical design of the valve for the required application. As a consequence, the physical and / or chemical properties of the materials or seals used, may not be suitable for the intended application.

	electrical specifications	options
<b>nominal voltage</b>	U <sub>n</sub> DC 24 V U <sub>n</sub> AC 230 V 40-60 Hz	special voltage upon request special voltage upon request
<b>actuation</b>	DC direct-current magnet AC direct-current magnet with integrated rectifier	above 100 °C with separate rectifier
<b>insulating rating</b>	H 180°C	
<b>protection</b>	IP65	
<b>energized duty rating</b>	ED 100%	
<b>connection</b>	plug acc. DIN EN 175301-803 form A, 4 positions x90° / wire diameter 6-8 mm	terminal box M16x1,5
<b>optional additional equipment</b>	M12x1 connector acc. DESINA illuminated plug with varistor	connector acc. VDMA
<b>current consumption</b>	N-coil DC 24 V 2,66 A AC 230 V 40-60 Hz 0,36 A	
	H-coil	DC 24 V 2,66 A AC 230 V 40-60 Hz 0,36 A
<b>explosion proof</b>		
<b>limit switches</b>	inductive (I) inductive (B) mechanical	normally open-PNP normally open-PNP single pole double throw-SPDT

■ specifications not highlighted are standard  
 ■ specifications highlighted in grey are optional

## type MK 25

function: **NC**  
closed when not energized



constructive length	L1	L2	L3
standard	246	178	302
with 1/2 inductive limit switches	287	219	343
with manual emergency (Hd)/ Hd and 1/2 ind. limit switches	299	231	355
with mechanical limit switches	287	219	343

flanges PN	DIN	ØD	Øk	Ød
16	EN 1092-1	115	85	14
40	EN 1092-1	115	85	14
100	EN 1092-1	140	100	18

## type FK 25

function: **NO**  
open when not energized

