

coaxial valve

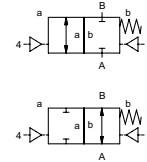
type VSV-F 250

5-VSV-F 250

valve type with pilot valve



2/2 way valve externally controlled
pressure range PN 0-16 bar
orifice DN 250 mm
connection flange
function valve normally closed symbol **NC**
 valve normally open symbol **NO**



⚠ Above stated body materials refer to the valve port connections that get in contact with the media only!

design pressure balanced, with spring return
body materials ① ② steel, galvanized
 ③ ⑤
 ④ steel, nickel plated ⑥ stainless steel
valve seat seal materials synthetic resin on metal NBR PTFE, FPM, CR, EPDM

details needed for main valve

- orifice
- port
- function NC/NO
- operating pressure
- flow rate
- media
- media temperature
- ambient temperature
- type of actuation

details needed for pneumatic actuation

- nominal voltage
- type of protection
- actuation pressure range min/max
- low wattage coil, actuation pressure range 4-7 bar
- pilot valve type

details needed for hydraulic actuation

- actuation pressure range min/max
- hydraulic control valve function

⚠ The valves' technical design is based on media and application requirements. This can lead to deviations from the general specifications shown on the data sheet with regards to the design, sealing materials and characteristics.

⚠ If order or application specifications are incomplete or imprecise there exists a risk of an incorrect technical design of the valve for the required application. As a consequence, the physical and / or chemical properties of the materials or seals used, may not be suitable for the intended application.

general specifications		options
ports	VSV-F flanges PN 16	special flanges
function	NC	NO
pressure range	bar 0-16	
Kv value	m³/h 650,0	
vacuum	leak rate < 10 ⁻⁶ mbar•l•s ⁻¹	
pressure-vacuum	P ₁ ⇄ P ₂	pressure side max. 16 bar vacuum side leak rate upon request available (max. 16 bar)
back pressure	P ₂ > P ₁	
media	gaseous - liquid - highly viscous - gelatinous - pasty - contaminated	version available
abrasive media		
damping	opening by throttles on pilot valve	
closing	as marked	bi-directional upon request
flow direction	A ⇄ B	
switching cycles	1/min 4	
switching time	ms opening 1500-3000 closing 1500-3000	
media temperature	°C direct mounted pilot valve 60	remote mounted pilot valve outside temperature range of media max. 160 °C
ambient temperature	°C direct mounted pilot valve 50	
flush ports		available
leak ports		available
limit switches		inductive / mechanical upon request
manual override	via pilot valve	
approvals		LR/GL/WAZ
mounting		
weight	kg VSV-F 215,0	
additional equipment		upon request

electrical specifications		options
nominal voltage	U _n DC 24 V	special voltage upon request
	AC 230 V 50 Hz	special voltage upon request
power consumption	DC 4,8 W	2,5 W
	AC pick up 11,0 VA holding 8,5 VA	
protection	IP65 (P54) acc. DIN 40050	
energized duty rating	ED 100%	
connection	plug acc. DIN EN 175301-803 form B, 4 positions x90° / wire diameter 6-8 mm	
optional	M12x1 connector acc. DESINA	connector acc. VDMA
additional equipment	illuminated plug with varistor	
max. temperature	media 60°C	
	ambient 50°C	
explosion proof	E Ex e II T5 nominal voltage U _n	DC 24 V 3,25 W
	power consumption	AC 230 V 50 Hz 2,90 W

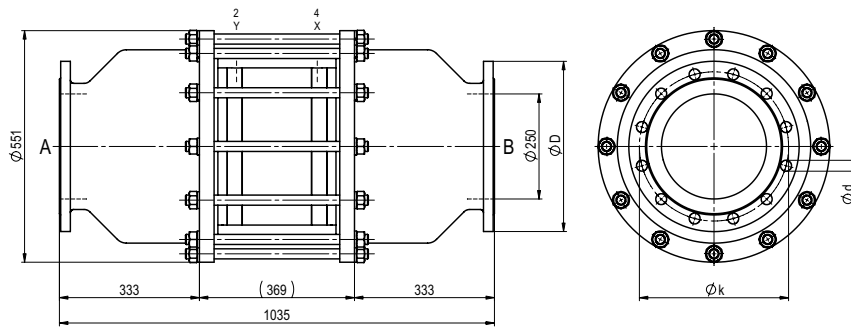
pneumatic specifications		options
actuation pressure range	bar 4-10	
air consumption	cm³/stroke 1000	
cycle speed	main valve speed variable by throttles on pilot valve	
control	preferably 5/2 way pilot valve	
pilot valve interface		
actuator ports	2/4 G 1/4	G 3/8

hydraulic specifications		options
actuation pressure range	bar 10-30 / 30-60	
control	preferably 4/2 way control valve	
actuator ports	X/Y G 1/4	NPT 1/4
by media		upon request

■ specifications not highlighted are standard
 specifications highlighted in grey are optional

type VSV-F 250

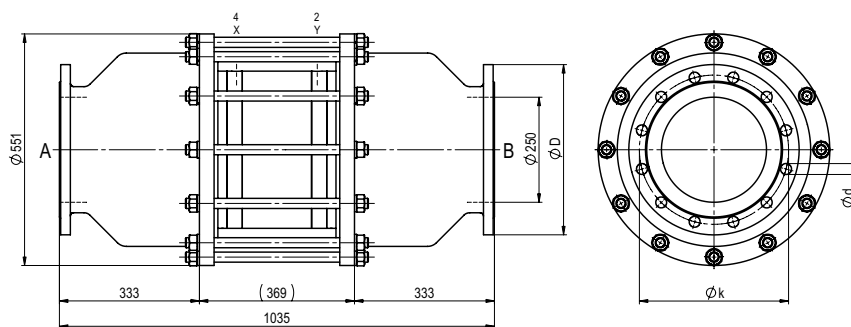
function: **NC**
closed when not energized



flanges PN	DIN	ØD	Øk	Ød
16	EN 1092-1	405	355	26

type VSV-F 250

function: **NO**
open when not energized



pneumatic actuation

