

5-PCD-1 10

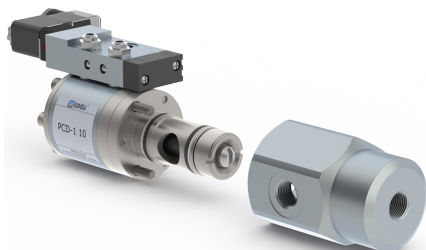
5-PCD-2 10

valve type with pilot valve

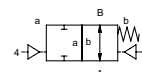
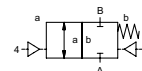
lateral valve

type PCD-1 10

PCD-2 10



2/2 way valve externally controlled
pressure range PN 0-200 bar
orifice DN 10 mm
connection thread/cartridge
function valve normally closed
 symbol **NC**
 valve normally open
 symbol **NO**



⚠ Above stated body materials refer to the valve port connections that get in contact with the media only!

design externally controlled with spring return
body materials ① aluminium ③
 ① ④
 ② ⑥ stainless steel
valve seat synthetic resin on metal metal on metal
seal materials PU, NBR PTFE, PE, FPM, EPDM

details needed for main valve

- orifice
- port
- function NC/NO
- operating pressure/Δp
- flow rate
- media
- media temperature
- ambient temperature
- type of actuation

details needed for pneumatic actuation

- nominal voltage
- type of protection
- actuation pressure range min/max
- low wattage coil, actuation pressure range 4-7 bar
- pilot valve type

details needed for hydraulic actuation

- actuation pressure range min/max
- hydraulic control valve function

⚠ The valves' technical design is based on media and application requirements. This can lead to deviations from the general specifications shown on the data sheet with regards to the design, sealing materials and characteristics.

⚠ If order or application specifications are incomplete or imprecise there exists a risk of an incorrect technical design of the valve for the required application. As a consequence, the physical and / or chemical properties of the materials or seals used, may not be suitable for the intended application.

general specifications

ports	PCD-1 without valve body	with valve body thread G 3/8
	PCD-2 without valve body	with valve body thread G 3/8
function	NC	NO
pressure range	PCD-1 0-50 (0-200 see pressure diagram)	NO (see pressure diagram)
	PCD-2 0-100 (0-200 see pressure diagram)	
Kv value	m ³ /h 3,0	
vacuum	leak rate	< 10 ⁻⁶ mbar·l·s ⁻¹
pressure-vacuum	P ₁ ⇌ P ₂	available upon request
back pressure	P ₂ > P ₁	available upon request
media	gaseous - liquid - highly viscous - gelatinous - pasty	
abrasive media		
damping	opening	
	closing	by throttles on pilot valve
flow direction	A ⇌ B	as marked
switching cycles	1/min	700
switching time	ms	opening 30-3000 closing 30-3000
media temperature	°C	direct mounted pilot valve 60
ambient temperature	°C	direct mounted pilot valve 50
flush ports		
leak ports	available	
limit switches	inductive	
manual override	via 5/2 way pilot valve	
approvals	WAZ	
mounting	mounting holes on valve body 2 x M6	
weight	kg	PCD-1 1,1 PCD-2 1,2
additional equipment	PCD-1 1,7 PCD-2 1,8 valve body	

options

electrical specifications

nominal voltage	U _n	DC 24 V	special voltage upon request
		AC 230 V 50 Hz	special voltage upon request
power consumption	DC	4,8 W	2,5 W
	AC	pick up 11,0 VA holding 8,5 VA	
protection	IP65 (P54)	acc. DIN 40050	
energized duty rating	ED	100%	
connection	plug acc. DIN EN 175301-803 form B, 4 positions x90° / wire diameter 6-8 mm		
optional	M12x1	connector acc. DESINA	connector acc. VDMA
additional equipment	illuminated plug with varistor		
max. temperature	media	60°C	
	ambient	50°C	
explosion proof	E Ex e II T5	nominal voltage U _n	DC 24 V 3,25 W
		power consumption	AC 230 V 50 Hz 2,90 W

options

pneumatic specifications

actuation pressure range	bar	4-10
air consumption	cm ³ /stroke	PCD-1 7 PCD-2 17
cycle speed	main valve speed variable by throttles on pilot valve	
control	via 5/2 way pilot valve	
pilot valve interface		
actuator ports	2/4	G 1/8

options

hydraulic specifications

actuation pressure range	bar	10-30	>30 bar upon request
control	preferably 4/2 way control valve		
actuator ports	X/Y	G 1/4 via adapter	NPT 1/4 via adapter
by media			

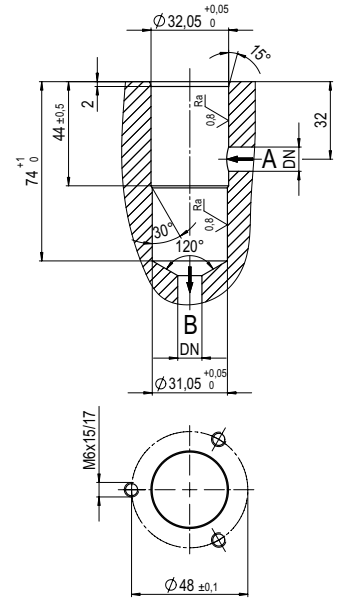
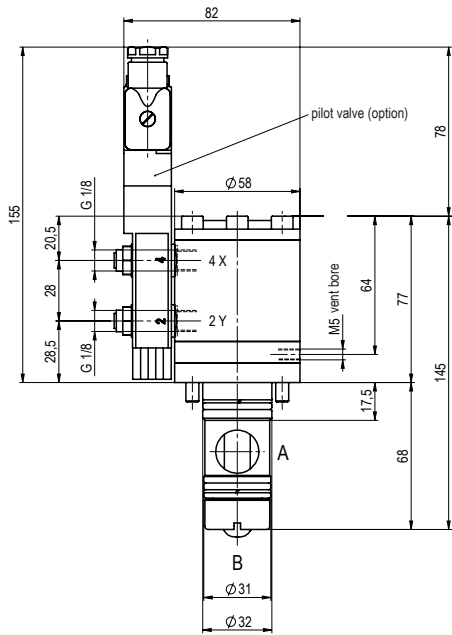
options

■ specifications not highlighted are standard specifications highlighted in grey are optional

type PCD-1 10

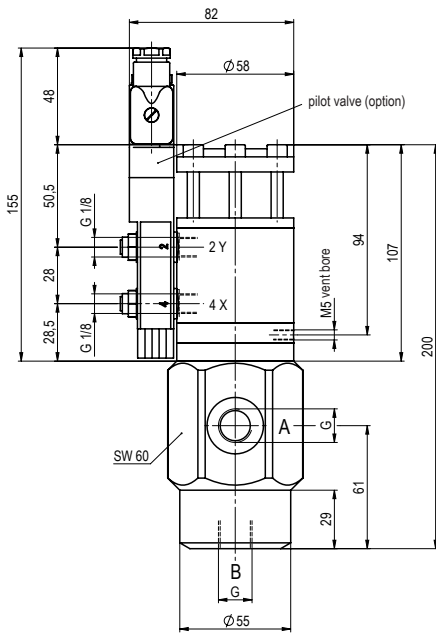
function: **NC**
closed when not energized

drilling design for cartridge

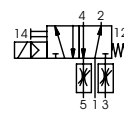


type PCD-2 10

function: **NO**
open when not energized



pneumatic actuation



5/2 way pilot valve
flow rate 350 l/min
pressure range 3-10 bar G 1/8

pressure-diagram

