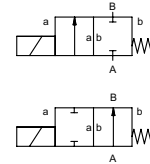


# coaxial valve

## type A 45



**2/2 way valve** direct acting  
**pressure range** PN 0-130 bar  
**orifice** DN 2/4/6 mm  
**connection** thread  
**function** valve normally closed  
 symbol **NC**  
 valve normally open  
 symbol **NO**



**⚠** Above stated body materials refer to the valve port connections that get in contact with the media only!

**design** pressure balanced, with spring return  
**body materials** ⑥ stainless steel

**valve seat** synthetic resin on metal  
**seal materials** NBR, PTFE

FPM, EPDM

**details needed**

- orifice
- port
- function NC/NO
- operating pressure
- flow rate
- media
- media temperature
- ambient temperature
- nominal voltage

**general specifications**

**options**

<b>ports</b>	A45	threads G 3/8
<b>function</b>	NC	NO
<b>pressure range</b>	bar	10   40   130
<b>DN</b>		6   4   2
<b>Kv value</b>	l/min	9,8   5,3   1,3
<b>vacuum</b>	leak rate	< 10 <sup>-6</sup> mbar•l•s <sup>-1</sup>
<b>pressure-vacuum</b>	P <sub>1</sub> ⇄ P <sub>2</sub>	upon request
<b>back pressure</b>	P <sub>2</sub> > P <sub>1</sub>	
<b>media</b>		gaseous - liquid
<b>abrasive media</b>		
<b>damping</b>	opening	
	closing	
<b>flow direction</b>	A ⇄ B	as marked
<b>switching cycles</b>	1/min	200
<b>switching time</b>	ms	opening 20 closing 45
<b>media temperature</b>	°C	DC: -10 to +80 > 80 °C upon request AC: -10 to +80 > 80 °C upon request
<b>ambient temperature</b>	°C	DC: -10 to +80 AC: -10 to +80
<b>limit switches</b>		
<b>manual override</b>		
<b>approvals</b>		WAZ
<b>mounting</b>		mounting brackets
<b>weight</b>	kg	1,2
<b>additional equipment</b>		upon request

**electrical specifications**

**options**

<b>nominal voltage</b>	U <sub>n</sub>	DC 24 V	special voltage upon request
	U <sub>n</sub>	AC 230 V 40-60 Hz	special voltage upon request
<b>actuation</b>	DC	direct-current magnet	
	AC	direct-current magnet with integrated rectifier	above 100 °C with separate rectifier
<b>insulating rating</b>	H	180°C	
<b>protection</b>	IP65		
<b>energized duty rating</b>	ED	100%	
<b>connection</b>		plug acc. DIN EN 175301-803 form A, 4 positions x90° / wire diameter 6-8 mm	
<b>optional</b>	M12x1	connector acc. DESINA	connector acc. VDMA
<b>additional equipment</b>		illuminated plug with varistor	
<b>current consumption</b>		DC 24 V 1,33 A	
		AC 230 V 40-60 Hz 0,17 A	
<b>explosion proof</b>			
<b>limit switches</b>			

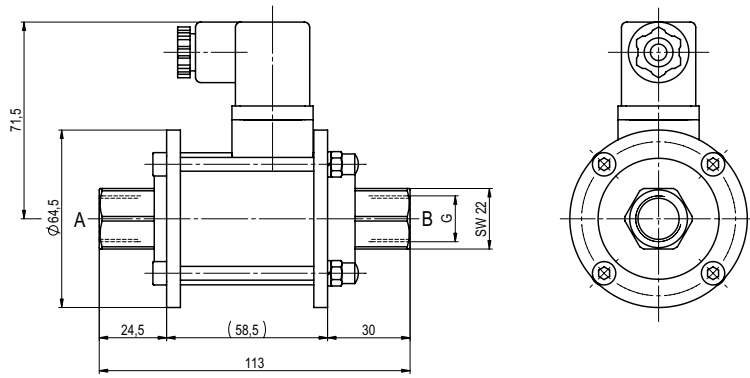
**⚠** The valves' technical design is based on media and application requirements. This can lead to deviations from the general specifications shown on the data sheet with regards to the design, sealing materials and characteristics.

**⚠** If order or application specifications are incomplete or imprecise there exists a risk of an incorrect technical design of the valve for the required application. As a consequence, the physical and / or chemical properties of the materials or seals used, may not be suitable for the intended application.

■ specifications not highlighted are standard  
 ■ specifications highlighted in grey are optional

## Type A 45

function: **NC**  
closed when not energized



## Type A 45

function: **NO**  
open when not energized

