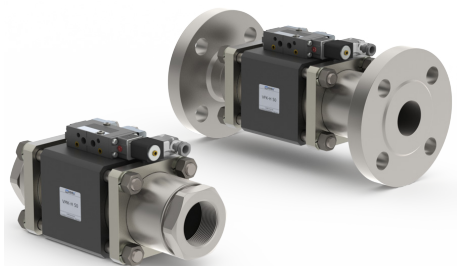


5-VMK-H 50  
5-VFK-H 50

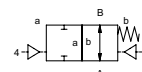
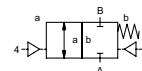
valve type with pilot valve

# coaxial valve

## type VMK-H 50 VFK-H 50



**2/2 way valve** externally controlled  
**pressure range** PN 0-200 bar  
**orifice** DN 50 mm  
**connection** thread/flange  
**function** valve normally closed symbol **NC**  
 valve normally open symbol **NO**



**⚠** Above stated body materials refer to the valve port connections that get in contact with the media only!

**design** pressure balanced, with spring return  
**body materials** ① ② steel, galvanized  
 ③ ⑤ without non-ferr. metals  
 ④ steel, nickel plated ⑥ stainless steel  
**valve seat** synthetic resin on metal  
**seal materials** NBR PTFE, FPM, CR, EPDM

**details needed for main valve**

- orifice
- port
- function NC/NO
- operating pressure
- flow rate
- media
- media temperature
- ambient temperature
- type of actuation

**details needed for pneumatic actuation**

- nominal voltage
- type of protection
- actuation pressure range min/max
- low wattage coil, actuation pressure range 4-7 bar
- pilot valve type

**details needed for hydraulic actuation**

- actuation pressure range min/max
- hydraulic control valve function

**⚠** The valves' technical design is based on media and application requirements. This can lead to deviations from the general specifications shown on the data sheet with regards to the design, sealing materials and characteristics.

**⚠** If order or application specifications are incomplete or imprecise there exists a risk of an incorrect technical design of the valve for the required application. As a consequence, the physical and / or chemical properties of the materials or seals used, may not be suitable for the intended application.

general specifications		options
ports	VMK-H threads G 2 VFK-H flanges PN 160 / 250	special threads special flanges
function	NC	NO
pressure range	bar 0-200	
Kv value	m³/h 43,0	
vacuum	leak rate < 10 <sup>-4</sup> mbar•l•s <sup>-1</sup>	
pressure-vacuum	P <sub>1</sub> ⇄ P <sub>2</sub>	
back pressure	P <sub>2</sub> > P <sub>1</sub>	available (max. 16 bar)
media	gaseous - liquid - highly viscous - gelatinous - pasty - contaminated	
abrasive media		version available
damping	opening by throttles on pilot valve closing as marked	bi-directional upon request
flow direction	A ⇄ B as marked	
switching cycles	1/min 100	
switching time	ms opening 100-3000 closing 100-3000	
media temperature	°C direct mounted pilot valve 60	remote mounted pilot valve outside temperature range of media max. 160 °C
ambient temperature	°C direct mounted pilot valve 50	
flush ports		available
leak ports		available
limit switches		inductive
manual override	via pilot valve	
approvals		LR/GL/WAZ
mounting		mounting brackets
weight	kg VMK-H 12,3 VFK-H 18,7	
additional equipment		upon request

electrical specifications		options
nominal voltage	U <sub>n</sub> DC 24 V AC 230 V 50 Hz	special voltage upon request
power consumption	DC 4,8 W AC pick up 11,0 VA holding 8,5 VA	special voltage upon request 2,5 W
protection	IP65 (P54) acc. DIN 40050	
energized duty rating	ED 100%	
connection	plug acc. DIN EN 175301-803 form B, 4 positions x90° / wire diameter 6-8 mm	
optional	M12x1 connector acc. DESINA	connector acc. VDMA
additional equipment	illuminated plug with varistor	
max. temperature	media 60°C ambient 50°C	
explosion proof	E Ex e II T5 nominal voltage U <sub>n</sub> power consumption	DC 24 V 3,25 W AC 230 V 50 Hz 2,90 W

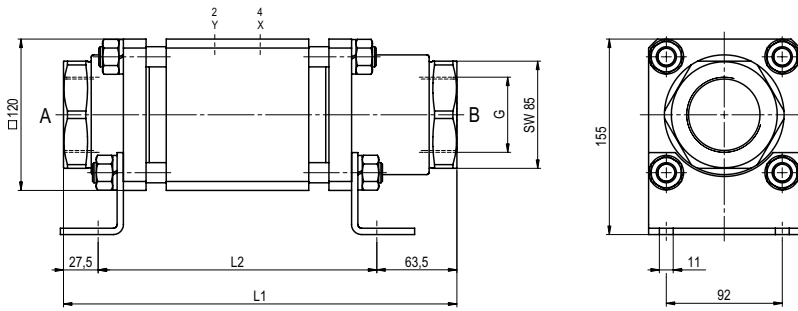
pneumatic specifications		options
actuation pressure range	bar 4-10	
air consumption	cm³/stroke 65	
cycle speed	main valve speed variable by throttles on pilot valve	
control	preferably 5/2 way pilot valve	
pilot valve interface	co-ax / Namur	ISO 1
actuator ports	2/4 G 1/8	G 1/4

hydraulic specifications		options
actuation pressure range	bar 10-30 / 30-60	
control	preferably 4/2 way control valve	
actuator ports	X/Y G 1/4	NPT 1/4

■ specifications not highlighted are standard  
 specifications highlighted in grey are optional

# type VMK-H 50

function: **NC**  
closed when not energized

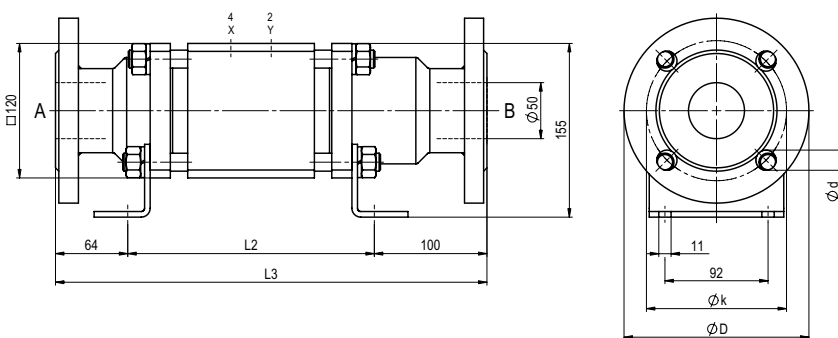


constructive length	L1	L2	L3
standard	312	221	385
with 1/2 inductive limit switches	312	221	385
with force-feed lubrication nipple	312	221	385
with mechanical limit switches	-	-	-

flanges PN	DIN	ØD	Øk	Ød
160	EN 1092-1	195	145	26
250	EN 1092-1	200	150	26

# type VFK-H 50

function: **NO**  
open when not energized



### pneumatic actuation

