

pressure limitation valve

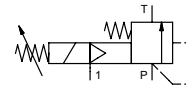
type HPB-S 15

3-HPB-S 15

valve type with pilot valve



control valve manual externally controlled
pressure range PN 5-64 bar
orifice DN 15 mm
connection thread
function manual stepless pressure regulation



⚠ Above stated body materials refer to the valve port connections that get in contact with the media only!

design externally controlled with spring return
body materials ① ④
 ② steel, galvanized ⑤
 ③ ⑥
valve seat metal on metal
seal materials FPM, PTFE

details needed for main valve

- orifice
- port
- pressure regulating range
- flow rate
- media
- media temperature
- ambient temperature

details needed for pneumatic actuation

- nominal voltage
- type of protection
- actuation pressure range min/max

general specifications

options

ports	HPB	threads G 1	SAE port DIN ISO 6162
function	stepless regulation		
pressure regulation range	bar 5-64		
flow rate	m³/h 6,0		
media	liquid - highly viscous - contaminated		
abrasive media	P ⇌ T as marked		
flow direction	ms < 900		
settling time	°C 0 to +60		
media temperature	°C 0 to +50		
ambient temperature	approvals		
mounting	mounting holes		
weight	kg 2,6		
additional equipment	security valve		

electrical specifications

options

nominal voltage	U _n DC 24 V	special voltage upon request
	U _n AC 230 V 50 Hz	special voltage upon request
power consumption	DC 4,8 W	2,5 W
	AC pick up 11,0 VA holding 8,5 VA	
protection	IP65 (P54) acc. DIN 40050	
energized duty rating	ED 100%	
connection	plug acc. DIN EN 175301-803 form B, 3 positions x90° / wire diameter 6-8 mm	
optional	M12x1 connector acc. DESINA	connector acc. VDMA
additional equipment	illuminated plug with varistor	
max. temperature	media 60°C	
	ambient 50°C	
explosion proof	E Ex e II T5 nominal voltage U _n	DC 24 V 3,25 W
	power consumption	AC 230 V 50 Hz 2,90 W

pneumatic specifications

options

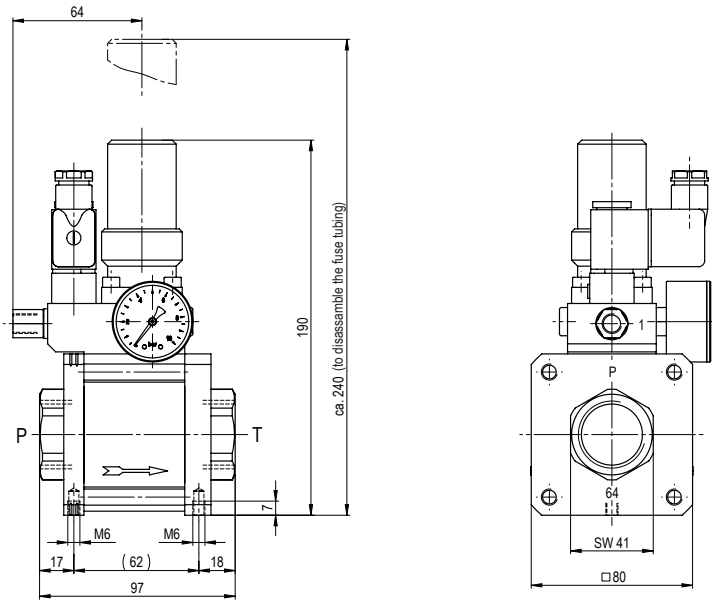
actuation pressure range	bar see actuation pressure-diagram
compressed air	DIN ISO 8573-1 grade of compressed air quality 5/4/3
control	preferably 3/2 way pilot valve during low pressure circulation mode
actuator ports	1 G 1/8

⚠ The valves' technical design is based on media and application requirements. This can lead to deviations from the general specifications shown on the data sheet with regards to the design, sealing materials and characteristics.

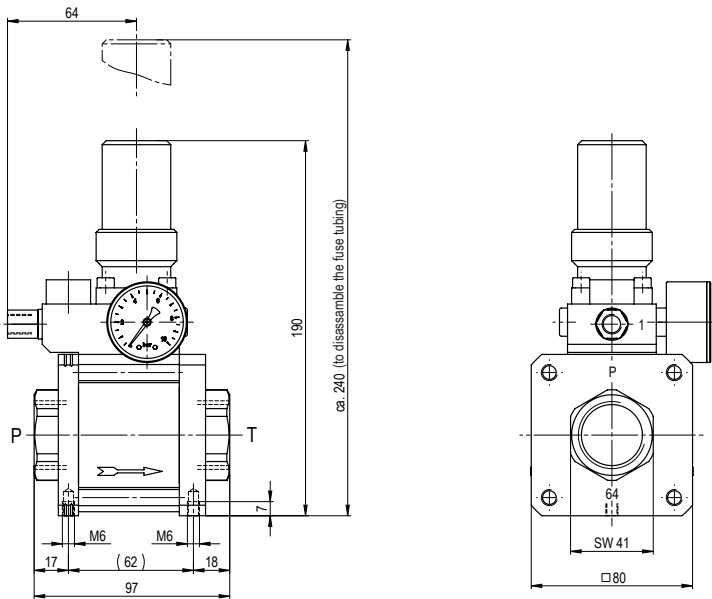
⚠ If order or application specifications are incomplete or imprecise there exists a risk of an incorrect technical design of the valve for the required application. As a consequence, the physical and / or chemical properties of the materials or seals used, may not be suitable for the intended application.

■ specifications not highlighted are standard
 ■ specifications highlighted in grey are optional

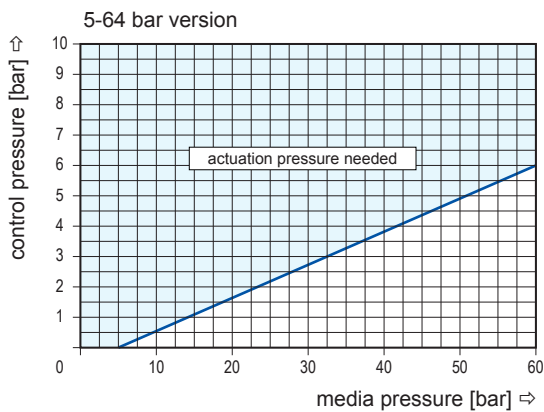
type 3-HPB-S 15



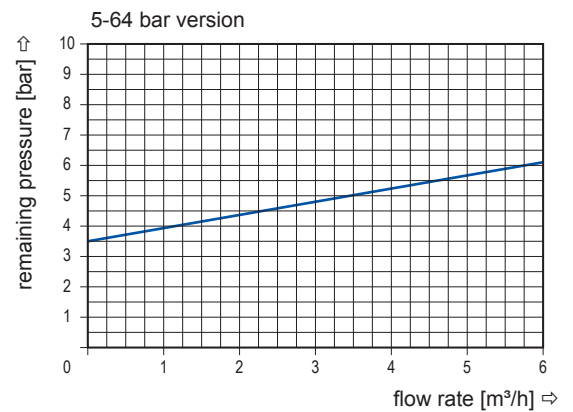
type HPB-S 15



actuation pressure-diagram



pressureless circulation mode



Sound creation during low pressure circulation mode and flow $Q=6 \text{ m}^3/\text{h}$ ca. 70 dbA