

## ACB Self-Aligning Mount

### FEATURES

- Capacities: 250–2000 kg
- Hardened components at all bearing surfaces
- Rocker pin load introduction
- Mechanical protection of the critical load introduction area
- Built-in horizontal movement control and lift-off protection
- Load cell (re)placement after installation of the mount
- **Optional**
  - Stainless steel or nickel-plated steel versions available
  - Stay rod assembly
  - Can be used also for ACB 0.5–2 ton

### APPLICATIONS

- Process control
- Batch weighing
- Silo/hopper weighing
- Belt scale weighing

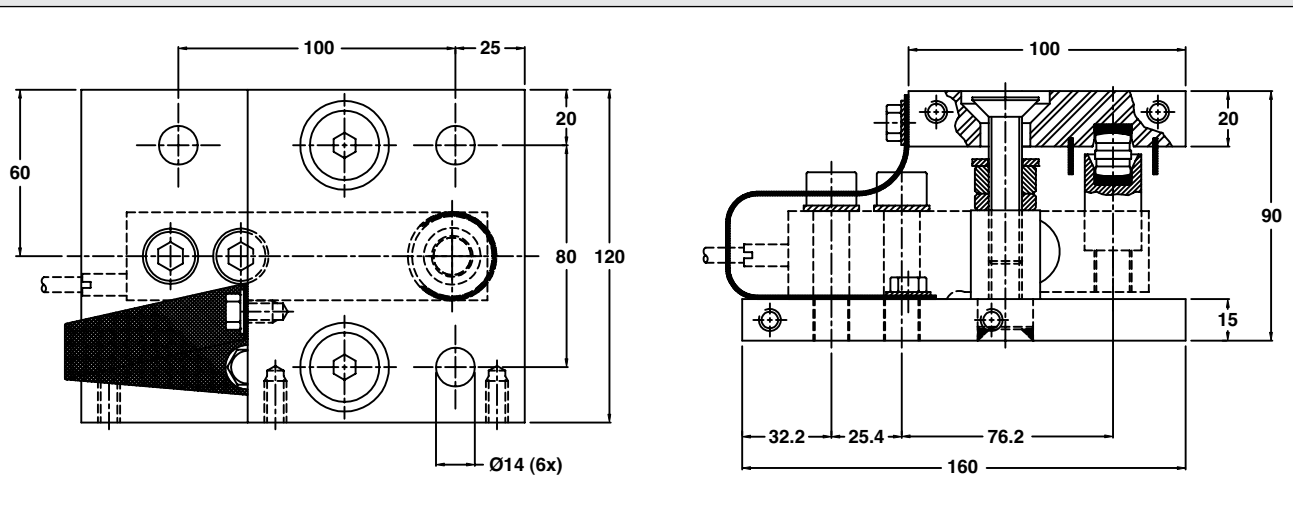


### DESCRIPTION

The ACB self-aligning silo mount, combined with the ACB load cell family, provides an ideal solution for process control, batch weighing, silo/hoppers, and belt scale applications.

The ACB mount permits controlled movement in all directions. The design allows the cell to be fitted after installation of the mount.

### OUTLINE DIMENSIONS in millimeters



### ACB Self-Aligning Mount

#### ACCESSORIES

##### ACB Foot Assemblies

- Capacities: 250–2000 kg
- Hardened components at all bearing surfaces
- Self-aligning, rocker pin load introduction
- Stainless steel construction, suitable for harsh environments

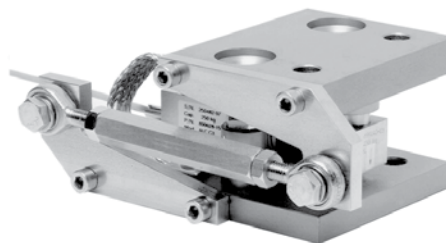
The ACB foot assemblies, together with the ACB load cell family, are an ideal solution for medium capacity belt, pallet and platform scales.

The stainless steel height adjustable and non-adjustable foot assemblies provide excellent load introduction to the load cell while maintaining an overall low profile. The rocker pin based design allows flexibility in platform design without compromising overall system performance.

The rubber foot assembly provides a high performance, shock absorbing, load introduction. The foot is made of yellow passivated ST37 and uses hardened components at all bearing surfaces.

##### Stay Rod Assemblies

Unless major load movement is anticipated, the ACB mount eliminates the need for stay rods. An optional stay rod assembly, which can be bolted to the mount when required, is available.



ADDITIONAL INFORMATION	
<b>MOUNT/FOOT</b>	<b>250–2000 kg</b>
<b>Height Adjustable Foot</b>	
Height, ACB + assembly (mm)	63+3/67+3 (2T)
Outline drawing—stainless steel	499134
<b>Rubber Foot</b>	
Height, ACB + assembly (mm)	60/64 (2T)
Outline drawing—nickel-plated	499133-00
<b>Self-Aligning Mount</b>	
Height, ACB + assembly (mm)	90
Outline drawing—stainless steel	499085-10
Outline drawing—nickel-plated	499085-00
Assembly guidelines	AG 10/06-109/02
<b>Stay Rod Assembly</b>	
Height, ACB + assembly (mm)	90
Outline drawing—stainless steel	499068-10
Outline drawing—nickel-plated	499068-00
Assembly guidelines	AG 10/06-200/02

## Disclaimer

ALL PRODUCTS, PRODUCT SPECIFICATIONS AND DATA ARE SUBJECT TO CHANGE WITHOUT NOTICE.

Vishay Precision Group, Inc., its affiliates, agents, and employees, and all persons acting on its or their behalf (collectively, "VPG"), disclaim any and all liability for any errors, inaccuracies or incompleteness contained herein or in any other disclosure relating to any product.

The product specifications do not expand or otherwise modify VPG's terms and conditions of purchase, including but not limited to, the warranty expressed therein.

VPG makes no warranty, representation or guarantee other than as set forth in the terms and conditions of purchase. **To the maximum extent permitted by applicable law, VPG disclaims (i) any and all liability arising out of the application or use of any product, (ii) any and all liability, including without limitation special, consequential or incidental damages, and (iii) any and all implied warranties, including warranties of fitness for particular purpose, non-infringement and merchantability.**

Information provided in datasheets and/or specifications may vary from actual results in different applications and performance may vary over time. Statements regarding the suitability of products for certain types of applications are based on VPG's knowledge of typical requirements that are often placed on VPG products. It is the customer's responsibility to validate that a particular product with the properties described in the product specification is suitable for use in a particular application. You should ensure you have the current version of the relevant information by contacting VPG prior to performing installation or use of the product, such as on our website at [vpgsensors.com](http://vpgsensors.com).

No license, express, implied, or otherwise, to any intellectual property rights is granted by this document, or by any conduct of VPG.

The products shown herein are not designed for use in life-saving or life-sustaining applications unless otherwise expressly indicated. Customers using or selling VPG products not expressly indicated for use in such applications do so entirely at their own risk and agree to fully indemnify VPG for any damages arising or resulting from such use or sale. Please contact authorized VPG personnel to obtain written terms and conditions regarding products designed for such applications.

Product names and markings noted herein may be trademarks of their respective owners.

Copyright Vishay Precision Group, Inc., 2014. All rights reserved.