

## Push-in flow sensors // VTY15



VTY15

### Your advantages

#### Series VTY15

- Space-saving due to compact design
- Pressure loss optimized
- Low wear and extremely long service life due to high-quality bearings

#### ① Push-in turbine

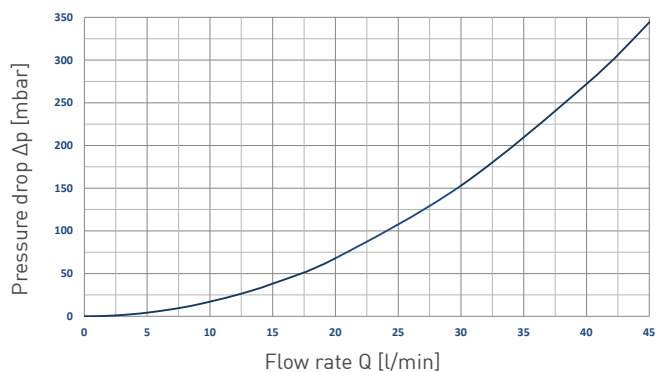
Flow range	1...45 l/min
Accuracy	±(1 % of range + 0.5 % of reading)
Repeatability	±1 %
Signal output	From 0.8 l/min
Medium temperature	0...90 °C (non-freezing)
Nominal diameter	DN 15

#### ② Hall effect sensor\*

Nominal pulse rate	234 pulses/l
Frequency output	Square wave frequency signal, NPN open collector
Power supply	4.5...24 VDC
Electrical connection	80 mm PVC cable with Molex Mini-Fit® Jr. plug connector (part number 0039014036) optional: 0.5 m PVC cable or 1 m PVC cable

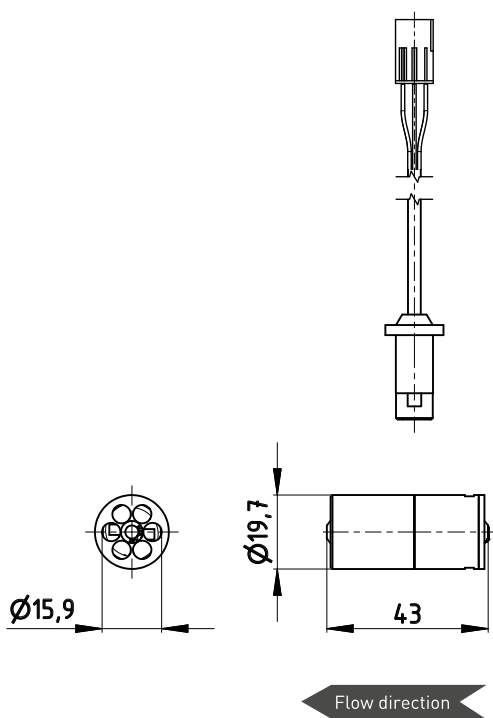
Stated values may vary depending on geometry of fittings.

**Typical pressure drop\***

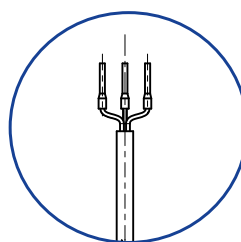


\* determined in SIKA pipe tee

**VTY15**



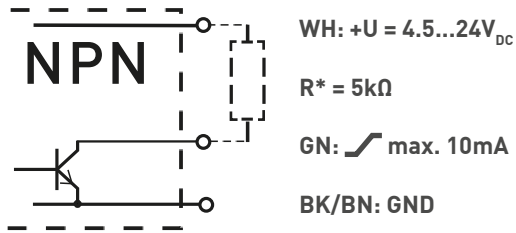
**Alternative electrical connection**



**Materials in contact with media**

Push-in turbine	
<b>Turbine body</b>	PPE+PS Noryl™ 30 % glass fibre reinforced
<b>Rotor</b>	PPE+PS Noryl™ 30 % glass fibre reinforced
<b>Magnet</b>	Hard ferrite
<b>Shaft</b>	Stainless steel / Hard metal
<b>Axial bearing</b>	Sapphire
<b>Radial bearing</b>	PEEK Victrex™

## Wiring

WH: +U = 4.5...24V<sub>DC</sub>

R\* = 5kΩ

GN: max. 10mA

BK/BN: GND

## Colour code

WH = white

GN = green

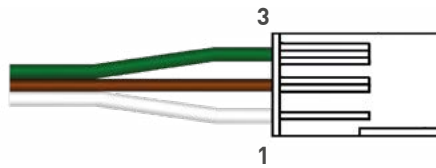
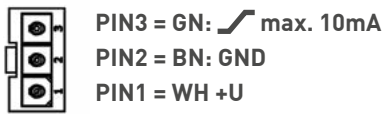
BK = black (single wire)

BN = brown (PVC cable / Molex)

R = resistance

\* Recommended pull-up resistance R ~ 5kΩ

## Pin assignment Molex Mini-Fit® plug



## Order code

## Component

VTY15 push-in turbine

VY1545K50000YY

## Hall effect sensor

80 mm PVC cable with Molex Mini-Fit® Jr. connector

VY1030K8HNX6YY

0.5 m PVC cable

VY1030K8HN05YY

1 m PVC cable

VY1030K8HN10YY

