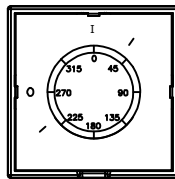


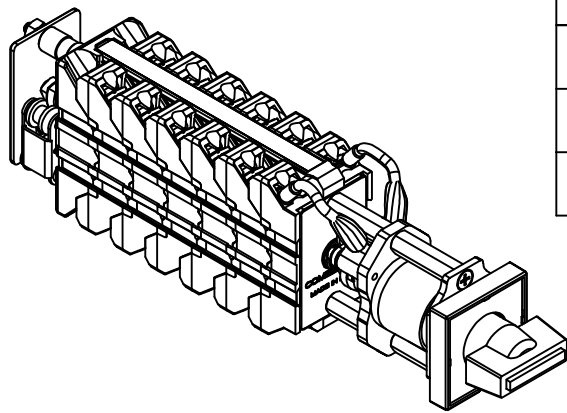
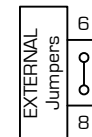
HANDLE	OPALINE
STRIP	BLACK
FRONTPLATE	SILVER
HOLDER	BLACK
TEXT	BLACK

LED Volt. DC	
24	
48	
110	X
125	
220	

LED COLOR	
WHITE	X
GREEN	
RED	
YELLOW	
BLUE	

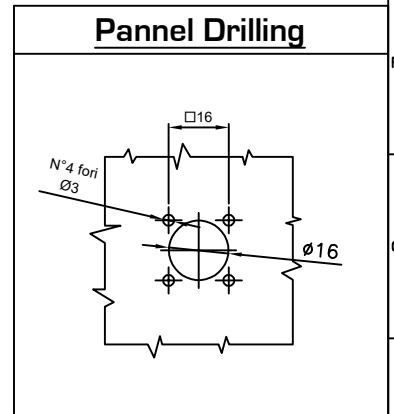


N° PACCHI								
N° PACKETS	1	2	3	4	5	6	7	8
X= LUNGH. mm	126	139	152	165	178	191	204	217
Lenght mm.								



Legend Symbols	
	RITORNO AUTOMATICO Spring return
	CONTATTO CHIUSO Closed contact
	CHIUSO SENZA INTERRUZIONE Closed without current breaking

PACCHI Packets	TEST LAMP		1		2	
	X5+	X1+	1	3	5	7
MORSETTI Contacts						
DICITURE Engravings	X2-		2	6	8	
POSITIONI Positions						
1			X	X	X	X
2	0		X	X	X	X
3	I		X	X	X	X
4			X	X	X	X



All technical informations contained in this document is the exclusive property of COMETRIC and may neither be used nor disclosed without its consent.

Drawn	Sheet	Approved by - Date	Escutcheon plate
EL	1/3	EL/29/01/20	
Checked	Scale	Rev. N°	30-40554
EL	1:1	A	

Type: DR8 D/2 506080

Code: DR802 SED02 201-H003