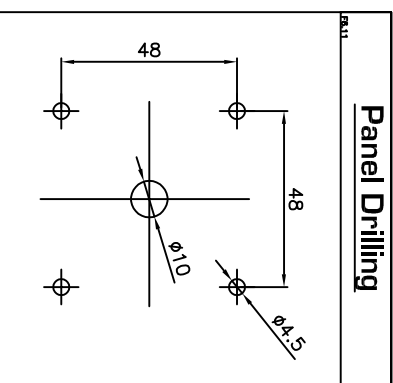
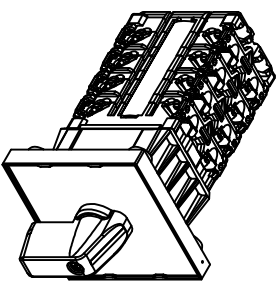
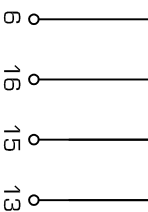
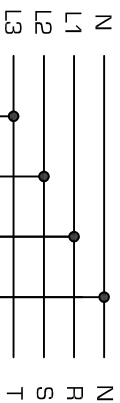


N° PACCHI N° PACKETS	1	2	3	4	5	6	7	8	9	10	11	12	13	14	15
X= LUNGH. mm Length mm.	57	70	83	96	109	123	135	148	161	174	187	200	213	226	239



Legend Symbols	
↕	RITORNO AUTOMATICO Spring return
X	CONTATTO CHIUSO Closed contact
XX	CHIUSO SENZA INTERRUZIONE Closed without current breaking

TITLE	PACCHI Packets			MORSETTI Contacts		
	1	2	3	1	19	19
1	L3-L1	X	X	6	7	8
2	L2-L3	X	X	13	14	15
3	L1-L2	X	X	16	17	18
4	L1-N	X	X	19	20	21
5	L2-N	X	X	22	23	24
6	L3-N	X	X	25	26	27



All technical informations contained in this document is the exclusive property of COMETTRAC and may neither be used nor disclosed without its consent.

Drawn	Sheet	Approved by - Date
FR	1/3	
Checked	Scale	Rev. N°
FR	1:1	A

Escutcheon plate  
64-60037

Type:  
R10 6/4

Code:  
R304-604 V013-W014