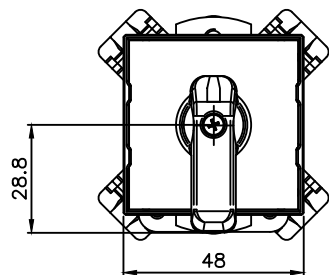
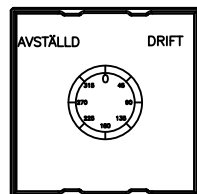


1 2 3 4 5 6 7 8 9 10 11 12 13 14 15 16

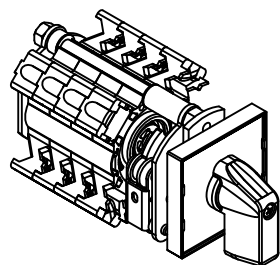
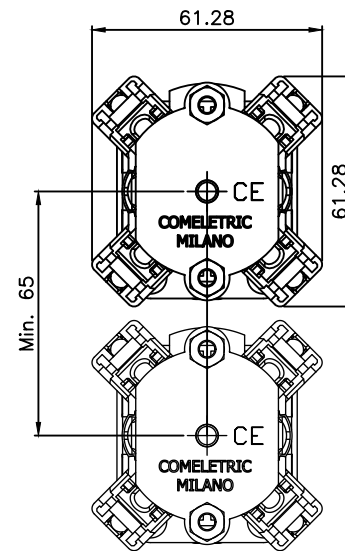
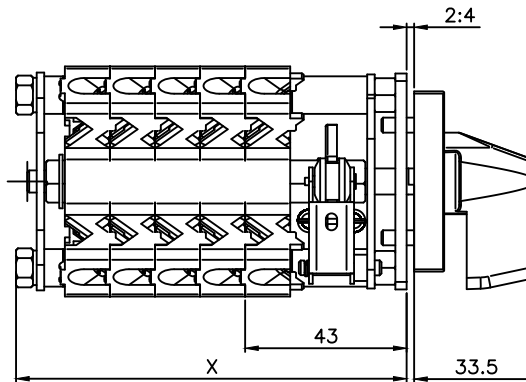
A
B
C
D
E
F
G
H



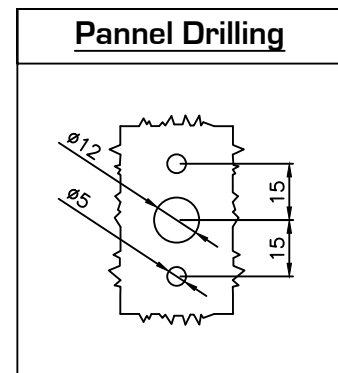
HANDLE	BLACK
FRONTPLATE	SILVER
HOLDER	BLACK
TEXT	BLACK



N° PACCHI	16
N° PACKETS	
X= LUNGH. mm	252
Lenght mm.	



Legend Symbols		PACCHI Packets	1 2 3 4 5 6 7 8 9 10 11 12 13 14 15 16																	
	RITORNO AUTOMATICO Spring return		MORSETTI Contacts	1	2	3	4	5	6	7	8	9	10	11	12	13	14	15	16	
	CONTATTO CHIUSO Closed contact																			
	CHIUSO SENZA INTERRUZIONE Closed without current breaking	DICITURE Engravings	2	4	6	8	10	12	14	16	18	20	22	24	26	28	30	32	34	36
TITLE																				
1		AVSTÄLLD																		
2		DRIFT																		



All technical informations contained in this document is the exclusive property of COMELETTRIC and may neither be used nor disclosed without its consent.

Drawn EL	Sheet 1/3	Approved by - Date EL/05/02/20
Checked EL	Scale 1:1	Rev. N° A

Escutcheon plate
48-21100

Type: R20 2/16
Code: R101SE216203-W005

1 2 3 4 5 6 7 8 9 10 11 12 13 14 15 16