



Strömställare för ställverk

TILLQUIST

Innehållsförteckning:

DFO (Stationsomkopplare)

2-läges - 48x48 mm

FRÅN//TILL
LOKAL//FJÄRR
NÄR//FJÄRR

3-läges - 48x48 mm

NÄR//FJÄRR+NÄR.IND//FJÄRR
NÄR//FJÄRR.NÄR//FJÄRR
RESERV-MANÖVER//NÄR//FJÄRR

Tillbehör

Avställningsenheter

2-läges - 48x48 mm

2 kontakter i läge AVSTÄLLD
3 kontakter i läge AVSTÄLLD
4 kontakter i läge AVSTÄLLD

Tillbehör

Förregling med nyckel

2-läges - 30x30 mm

AVSTÄLLD//DRIFT

2-läges - 48x48 mm

AVSTÄLLD//DRIFT
DRIFT//UPPHÄVD

LK-styrning med fjäderretur

3-läges - 30x30 mm

MINSKA//0//ÖKA
HAND//0//AUTO

MK-ställare

4-läges/tryck/fjäderretur - 30x30 mm

DR8-D/2 (2 kontaktlager)
DR8-D/4 (4 kontaktlager)

Ljusbågsvakt

2-läges - 48x48 mm

FRÅN//TILL
RESERV//DRIFT
AVSTÄLLD//DRIFT

Tillbehör

Lampprov/test

2-läges - 30x30 mm

FRÅN//TILL

2-läges - 48x48 mm

FRÅN//TILL

Tillbehör

Lokallarm/Larmdon

2-läges - 30x30 mm

FRÅN//TILL

2-läges - 48x48 mm

FRÅN//TILL
AVSTÄLLD//DRIFT

Tillbehör

Nollpunksspänning NUS

3-läges - 30x30 mm

JSr//JSr+NUS//NUS

3-läges - 48x48 mm

JSr//JSr+NUS//NUS

Generella tillbehör

30x30 mm

Skylthållare med fri text

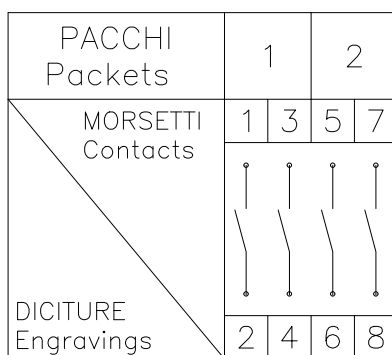
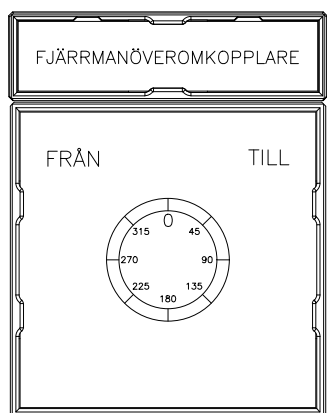
48x48 mm

Skylthållare med fri text

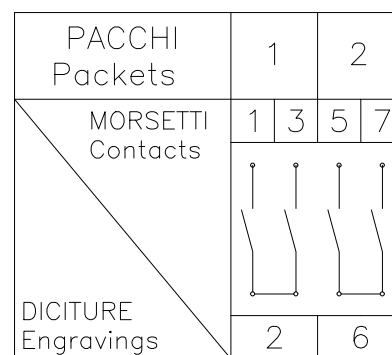
DFO (Stationsomkopplare)

2-läges - 48x48 mm

FRÅN//TILL



Separerad kontakt



Gemensam kontakt

Tillquist Art nr: 506669
Modell: R16 2/4 (4NC.4NO) ”Separerad kontakt”

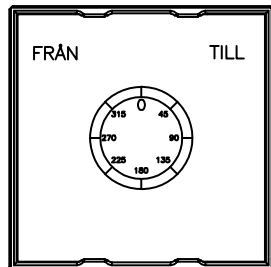
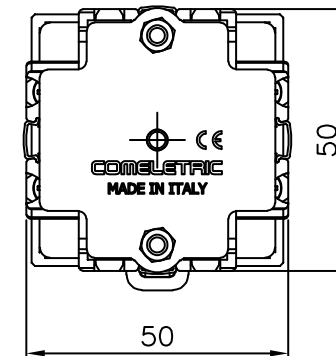
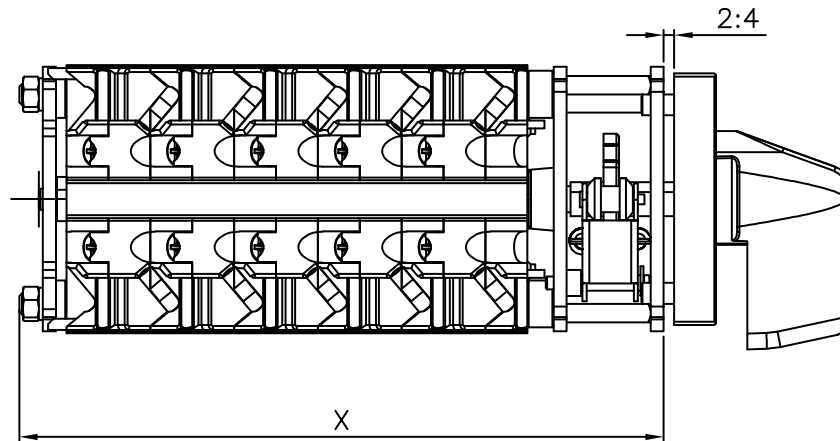
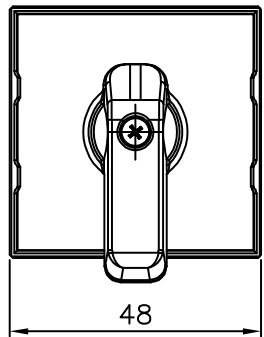
Tillquist Art nr: 506668
Modell: R16 2/6 (6NC.6NO) ”Separerad kontakt”

Tillquist Art nr: 507320
Modell: R16 2/12 (20NC.4NO) ”Separerad kontakt”

Tillquist Art nr: 507642
Modell: R16 2/10 (10NC.10NO) ”Gemensam kontakt”

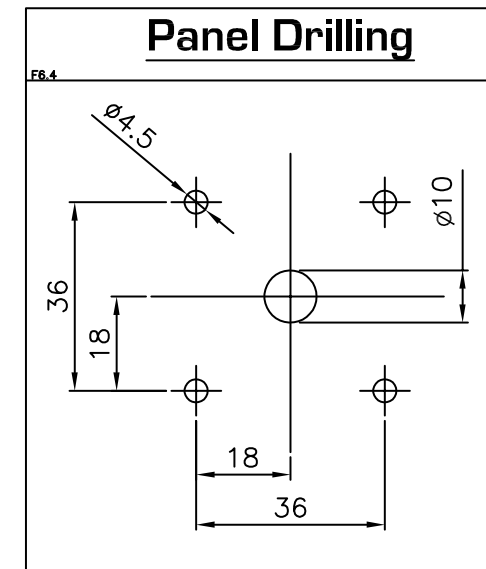
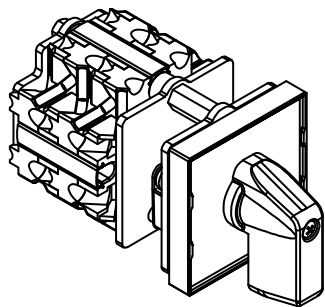
Tillquist Art nr: 507679
Modell: R16 2/14 (14NC.14NO) ”Gemensam kontakt”

Tillquist Art nr: 507678
Modell: R16 2/20 (20NC.20NO) ”Gemensam kontakt”



N° PACCHI N° PACKETS	1	2	3	4	5	6	7	8	9	10	11	12	13	14	15	16	17	18	19	20
X= LUNGH. mm Length mm.	51	59	67	75	83	91	99	107	115	123	131	139	147	155	163	171	179	187	195	203

Legend Symbols		POSIZIONI Positions	PACCHI Packets				
	RITORNO AUTOMATICO Spring return		MORSETTI Contacts	1	2	3	4
	CONTATTO CHIUSO Closed contact			1 3 5 7 9 11 13 15			
	CHIUSO SENZA INTERRUZIONE Closed without current breaking	DICITURE Engravings	2 4 6 8 10 12 14 16				
TITLE							
1	FRAN						
2	TILL						

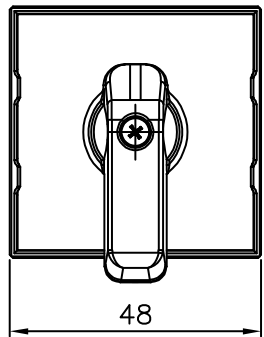


All technical informations contained in this document is the exclusive property of COMELETTRIC and may neither be used nor disclosed without its consent.

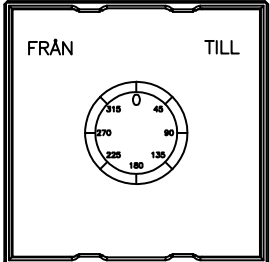
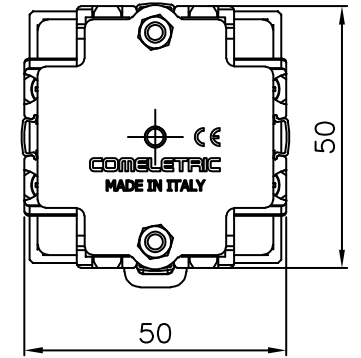
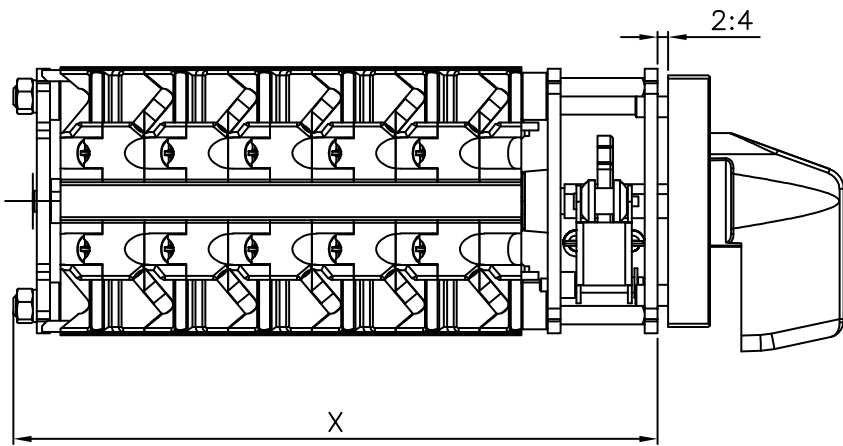
Drawn FR	Sheet 1/3	Approved by - Date FR
Checked FR	Scale 1:1	Rev. N° 0

Escutcheon plate
48-21272

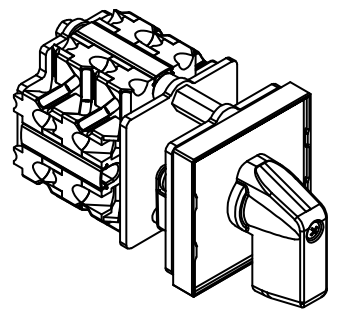
Type: R16 2/4 506669
Code: R601 SE204 027-W006



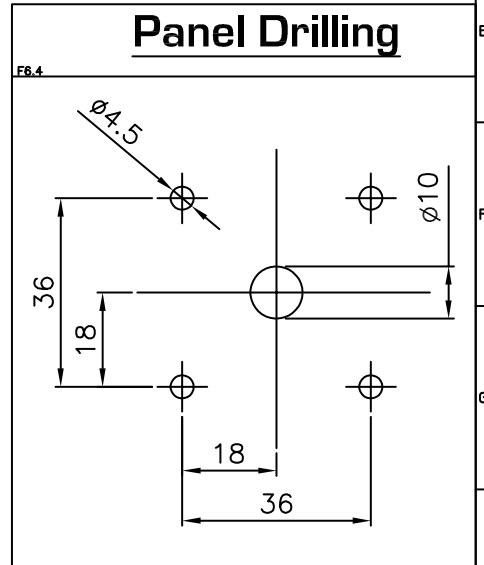
HANDLE	BLACK
FRONTPLATE	SLIVER
HOLDER	BLACK
TEXT	BLACK



N° PACCHI N° PACKETS	1	2	3	4	5	6	7	8	9	10	11	12	13	14	15	16	17	18	19	20
X= LUNGH. mm Length mm.	51	59	67	75	83	91	99	107	115	123	131	139	147	155	163	171	179	187	195	203



Legend Symbols		POSIZIONI Positions	PACCHI Packets					
	RITORNO AUTOMATICO Spring return		MORSETTI Contacts	1	2	3	4	5
	CONTATTO CHIUSO Closed contact	DICITURE Engravings	1 3 5 7 9 11 13 15 17 19 21 23					
	CHIUSO SENZA INTERRUZIONE Closed without current breaking		2 4 6 8 10 12 14 16 18 20 22 24					
TITLE								
1	FRÅN	X X						
2	TILL	X X						

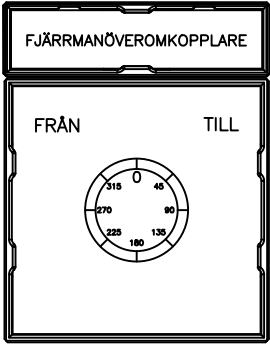
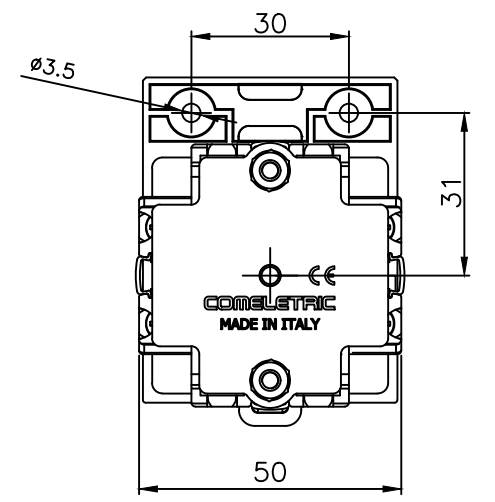
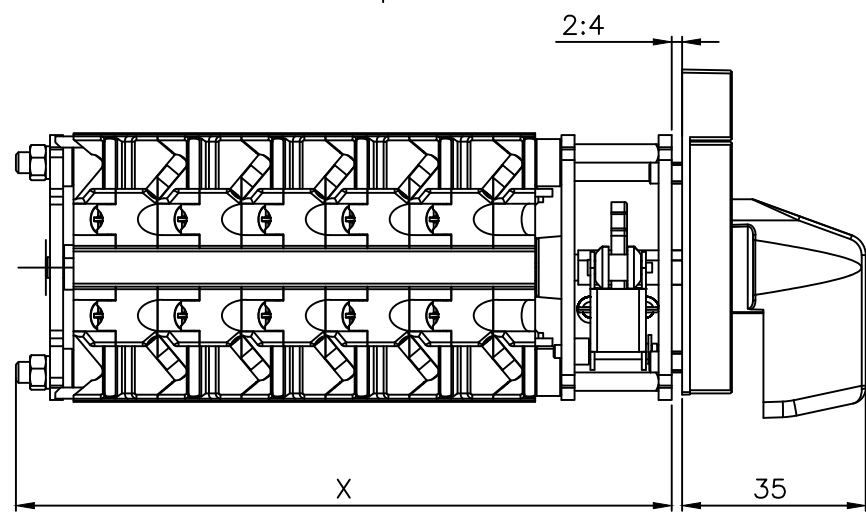
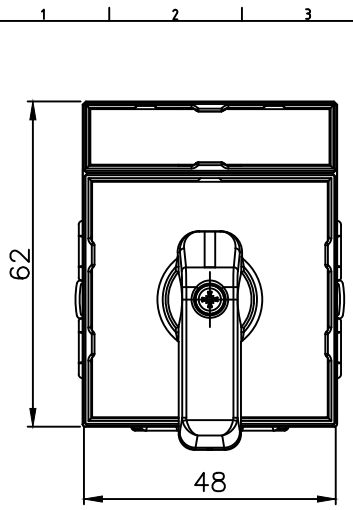


All technical informations contained in this document is the exclusive property of COMELETRIC and may neither be used nor disclosed without its consent.

Drawn FR	Sheet 1/3	Approved by - Date FR
Checked FR	Scale 1:1	Rev. N° 0

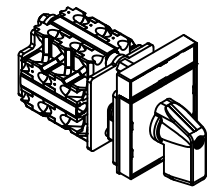
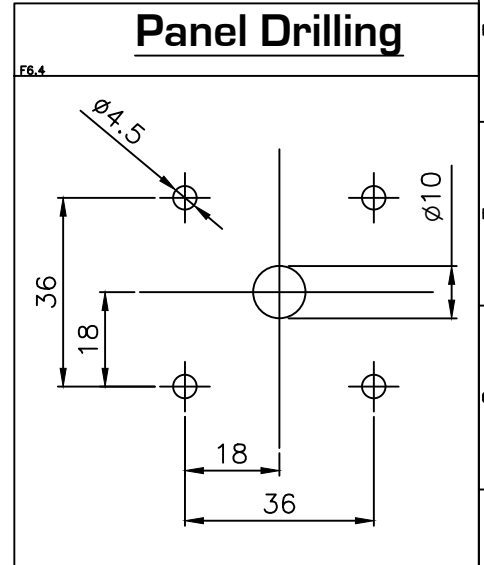
Escutcheon plate
48-21272

Type:	R16 2/6 506668
Code:	R601 SE206 027-W006



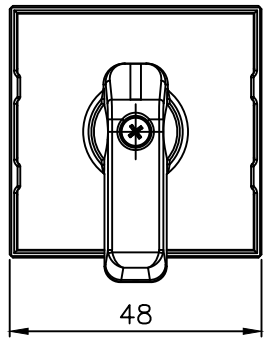
N° PACCHI	1	2	3	4	5	6	7	8	9	10	11	12	13	14	15	16	17	18	19	20	
N° PACKETS																					
X= LUNGH. mm	51	59	67	75	83	91	99	107	115	123	131	139	147	155	163	171	179	187	195	203	
Lenght mm.																					

Legend Symbols		POSIZIONI Positions	PACCHI Packets																								
	RITORNO AUTOMATICO Spring return		MORSETTI Contacts	1	3	5	7	9	11	13	15	17	19	21	23	25	27	29	31	33	35	37	39	41	43	45	47
	CONTATTO CHIUSO Closed contact		DICITURE Engravings																								
	CHIUSO SENZA INTERRUZIONE Closed without current breaking			2	4	6	8	10	12	14	16	18	20	22	24	26	28	30	32	34	36	38	40	42	44	46	48
TITLE																											
1			FRÅN																								
2			TILL																								

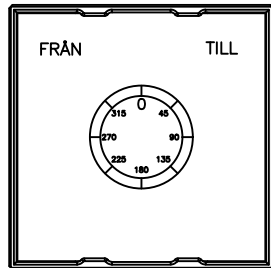
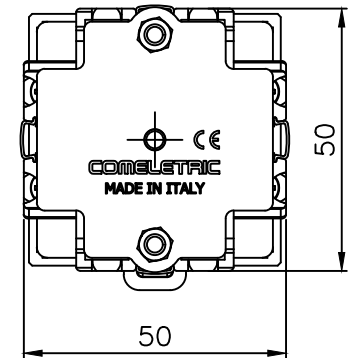
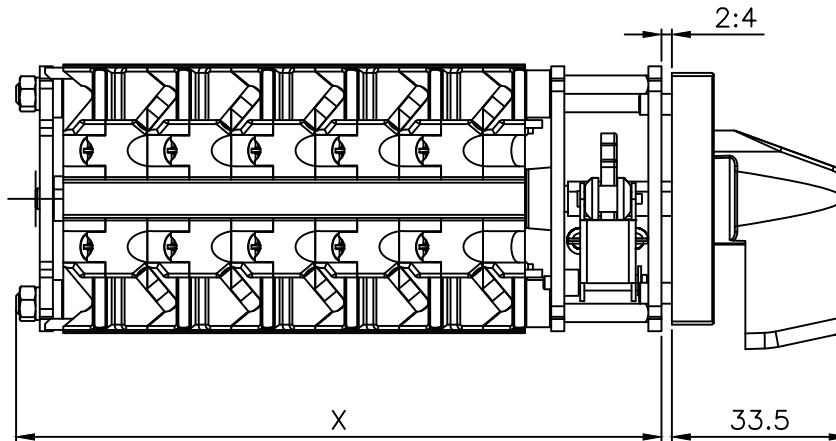


All technical informations contained in this document is the exclusive property of COMLETRIC and may neither be used nor disclosed without its consent.

Drawn FR	Sheet 1/3	Approved by - Date FR	Escutcheon plate 48-21272T373	Type: R16 2/12 - 507320
Checked FR	Scale 1:1	Rev. N° A		Code: R601 SE212 205-W008

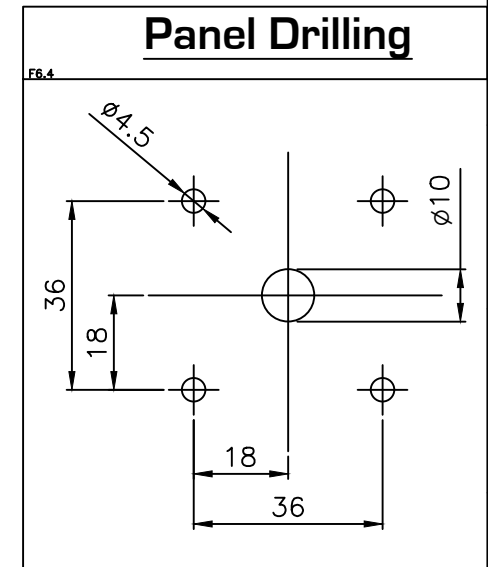
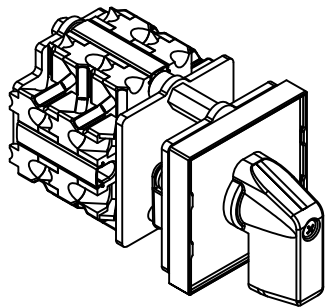


W006	
HANDLE	BLACK
FRONTPLATE	SILVER
HOLDER	BLACK
TEXT	BLACK



N° PACCHI N° PACKETS	1	2	3	4	5	6	7	8	9	10	11	12	13	14	15	16	17	18	19	20
X= LUNGH. mm Length mm.	51	59	67	75	83	91	99	107	115	123	131	139	147	155	163	171	179	187	195	203

Legend Symbols		POSIZIONI Positions	PACCHI Packets																			
			1	2	3	4	5	6	7	8	9	10										
	RITORNO AUTOMATICO Spring return		MORSETTI Contacts																			
	CONTATTO CHIUSO Closed contact	DICTURE Engravings																				
	CHIUSO SENZA INTERRUZIONE Closed without current breaking	TITLE																				
		1	FRÅN																			
		2	TILL																			

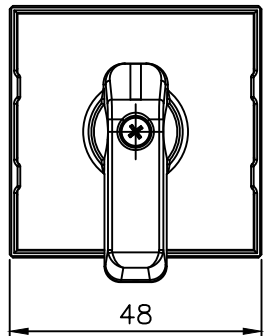


All technical informations contained in this document is the exclusive property of COMELETTRIC and may neither be used nor disclosed without its consent.

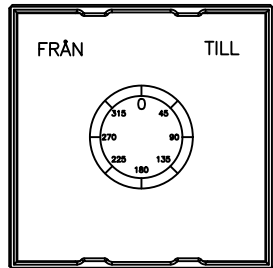
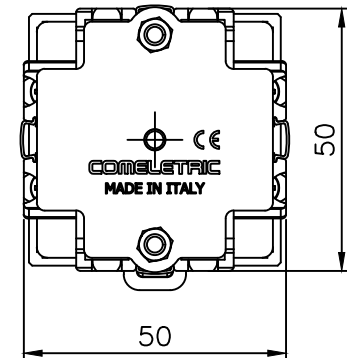
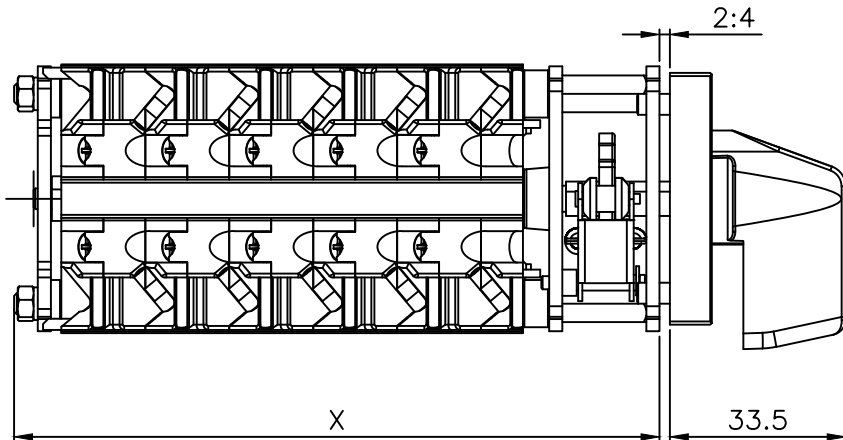
Drawn EL	Sheet 1/3	Approved by - Date EL/15/10/19
Checked EL	Scale 1:1	Rev. N° A

Escutcheon plate
48-21272

Type: R16 2/10 - 507642
Code: R601 SE210 008-W006



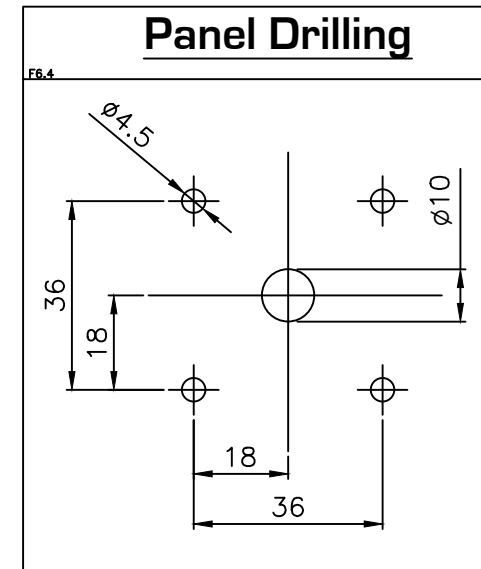
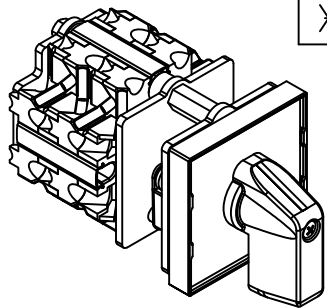
W006	
HANDLE	BLACK
FRONTPLATE	SILVER
HOLDER	BLACK
TEXT	BLACK



N° PACCHI N° PACKETS	1	2	3	4	5	6	7	8	9	10	11	12	13	14	15	16	17	18	19	20
X= LUNGH. mm Length mm.	51	59	67	75	83	91	99	107	115	123	131	139	147	155	163	171	179	187	195	203

Legend Symbols	
	RITORNO AUTOMATICO Spring return
	CONTATTO CHIUSO Closed contact
	CHIUSO SENZA INTERRUZIONE Closed without current breaking

PACCHI Packets	1	2	3	4	5	6	7	8	9	10	11	12	13	14						
	MORSETTI Contacts	1 3 5 7 9 11 13 15 17 19 21 23 25 27 29 31 33 35 37 39 41 43 45 47 49 51 53 55																		
DICITURE Engravings	2 6 10 14 18 22 26 30 34 38 42 46 50 54																			
POSIZIONI Positions																				
TITLE																				
1	FRAN	X	X	X	X	X	X	X	X	X	X	X	X	X	X	X	X	X	X	X
2	TILL	X	X	X	X	X	X	X	X	X	X	X	X	X	X	X	X	X	X	X

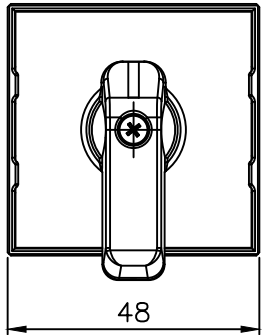


All technical informations contained in this document is the exclusive property of COMELETTRIC and may neither be used nor disclosed without its consent.

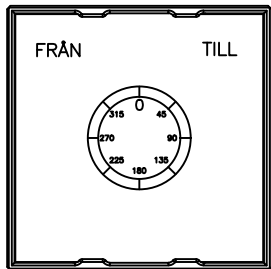
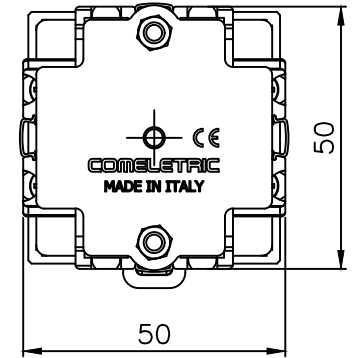
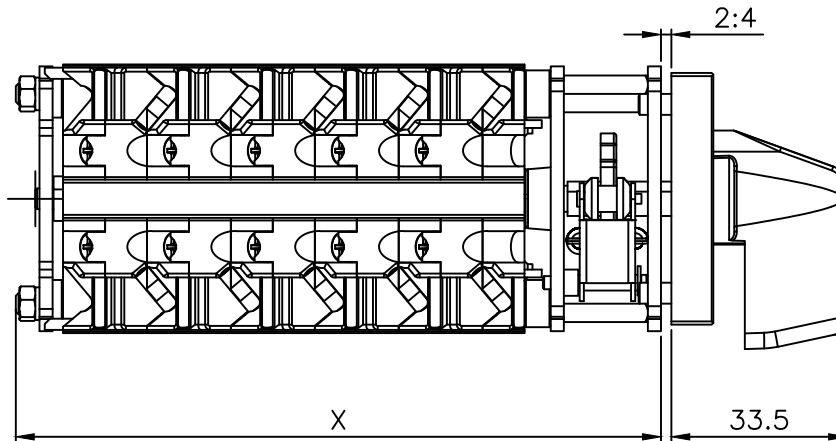
Drawn EL	Sheet 1/3	Approved by - Date EL/15/10/19
Checked EL	Scale 1:1	Rev. N° A

Escutcheon plate
48-21272

Type: R16 2/14 - 507679
Code: R601 SE214 008-W006



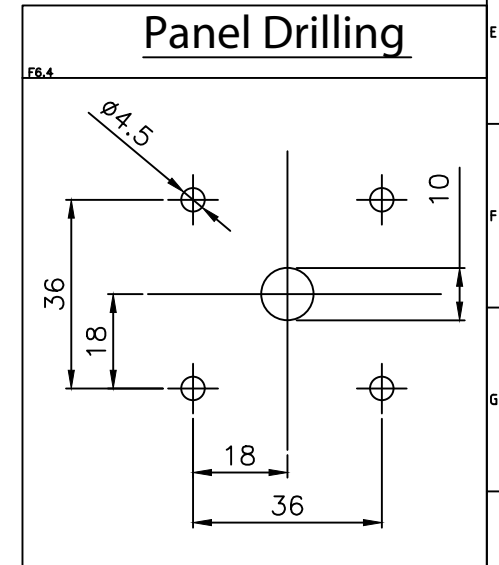
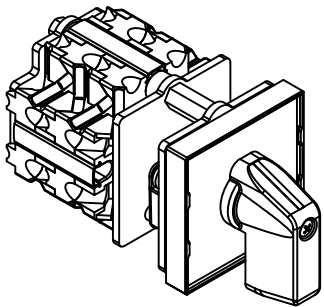
W006	
HANDLE	BLACK
FRONTPLATE	SILVER
HOLDER	BLACK
TEXT	BLACK



N° PACCHI N° PACKETS	1	2	3	4	5	6	7	8	9	10	11	12	13	14	15	16	17	18	19	20
X= LUNGH. mm Length mm.	51	59	67	75	83	91	99	107	115	123	131	139	147	155	163	171	179	187	195	203

Legend Symbols	
	RITORNO AUTOMATICO Spring return
	CONTATTO CHIUSO Closed contact
	CHIUSO SENZA INTERRUZIONE Closed without current breaking

POSIZIONI Positions	PACCHI Packets																			
	1	2	3	4	5	6	7	8	9	10	11	12	13	14	15	16	17	18	19	20
MORSETTI Contacts	1 3	5 7	9 11	13 15	17 19	21 23	25 27	29 31	33 35	37 39	41 43	45 47	49 51	53 55	57 59	61 63	65 67	69 71	73 75	77 79
DICITURE Engravings	2	6	10	14	18	22	26	30	34	38	42	46	50	54	58	62	66	70	74	78
TITLE																				
1	FRAN	X																		
2	TILL	X																		



All technical informations contained in this document is the exclusive property of COMELETTRIC and may neither be used nor disclosed without its consent.

Drawn EL	Sheet 1/3	Approved by - Date EL/15/10/19
Checked EL	Scale 1:1	Rev. N° A

Escutcheon plate
48-21272

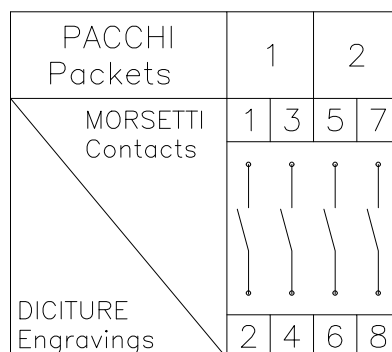
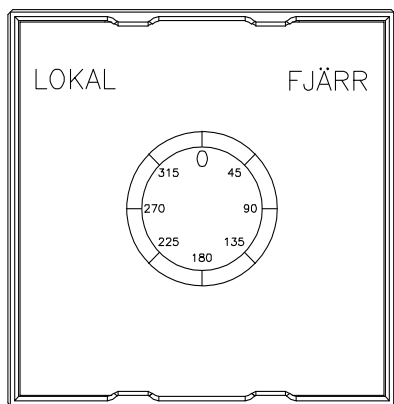
Type:
Code:

R16 2/20 - 507678
R601 SE220 008-W006

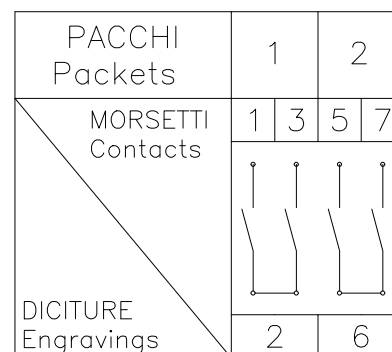
DFO (Stationsomkopplare)

2-läges - 48x48 mm

LOKAL//FJÄRR



Separerad kontakt



Gemensam kontakt

Tillquist Art nr: 506546

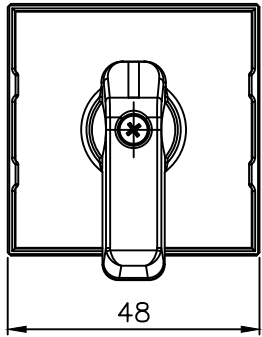
Modell: R16 2/6 (6NC.6NO) ”Separerad kontakt”

Tillquist Art nr: 506209

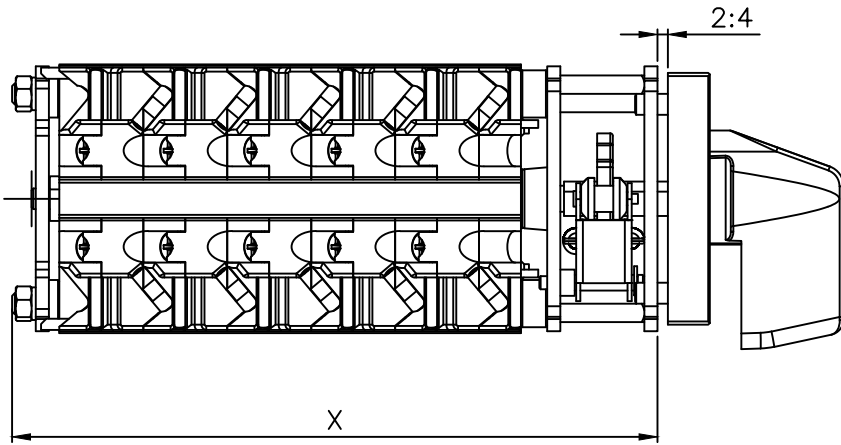
Modell: R16 2/12 (12NC.12NO) ”Gemensam kontakt”

Tillquist Art nr: 507326

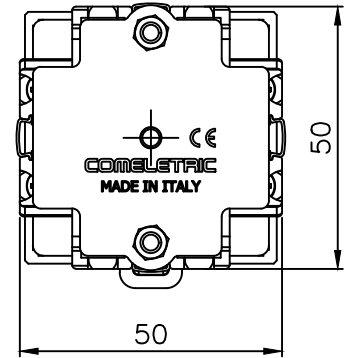
Modell: TR16 2/34 (34NC.34NO) ”Gemensam kontakt”



48



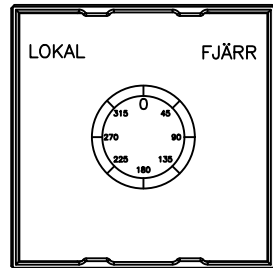
X



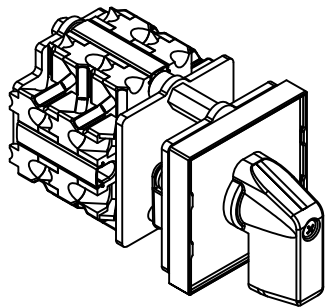
50

50

W006	
HANDLE	BLACK
FRONTPLATE	SILVER
HOLDER	BLACK
TEXT	BLACK

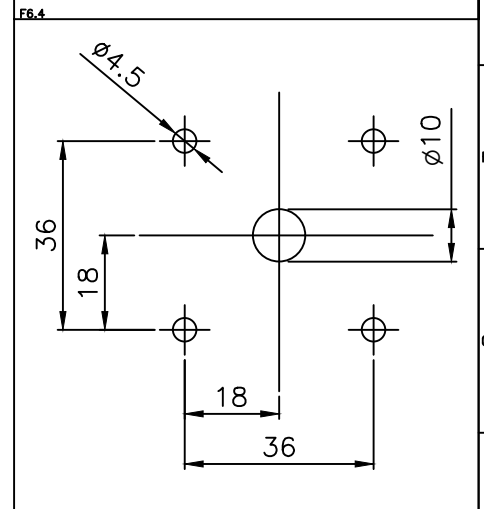


N° PACCHI	1	2	3	4	5	6	7	8	9	10	11	12	13	14	15	16	17	18	19	20	
N° PACKETS																					
X= LUNGH. mm	51	59	67	75	83	91	99	107	115	123	131	139	147	155	163	171	179	187	195	203	
Lenght mm.																					



Legend Symbols		POSIZIONI Positions	PACCHI Packets	1 2 3 4 5 6																	
↶	RITORNO AUTOMATICO Spring return			MORSETTI Contacts	1	3	5	7	9	11	13	15	17	19	21	23					
X	CONTATTO CHIUSO Closed contact																				
XX	CHIUSO SENZA INTERRUZIONE Closed without current breaking	DICITURE Engravings	2	4	6	8	10	12	14	16	18	20	22	24							
TITLE																					
1	LOKAL		X	X	X	X	X	X	X	X	X	X	X	X	X	X	X	X	X	X	X
2	FJÄRR		X	X	X	X	X	X	X	X	X	X	X	X	X	X	X	X	X	X	X

Panel Drilling



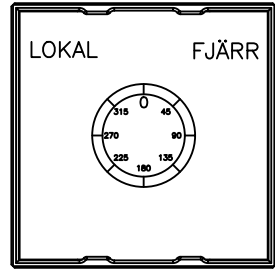
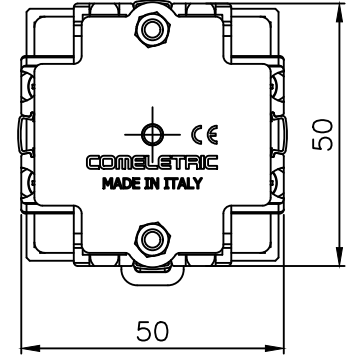
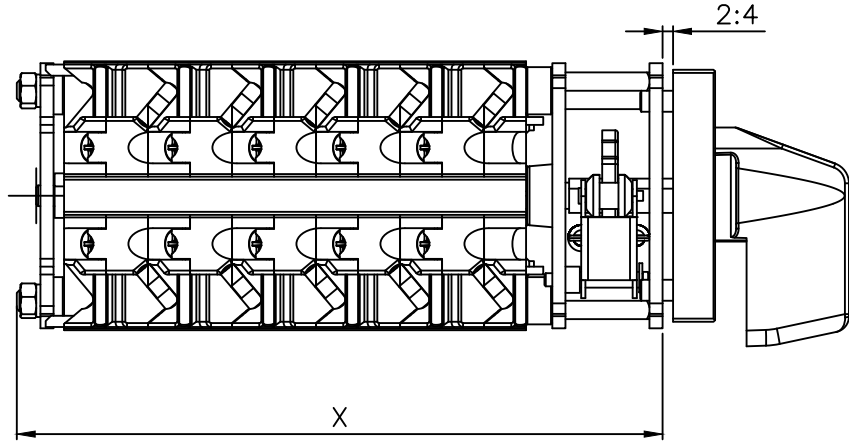
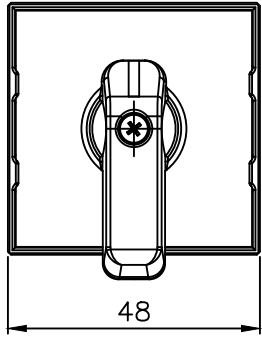
All technical informations contained in this document is the exclusive property of COMELETTRIC and may neither be used nor disclosed without its consent.

Drawn FR	Sheet 1/3	Approved by - Date FR
Checked FR	Scale 1:1	Rev. N° 0

Escutcheon plate
48-21193

Type:
Code:

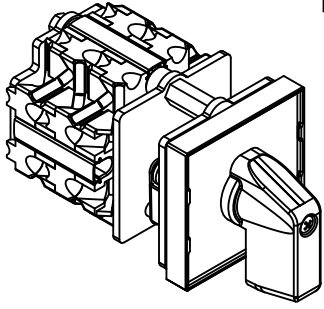
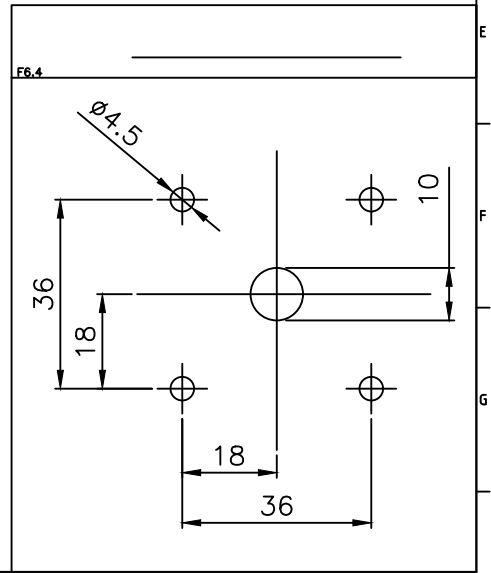
R16 2/6 - 506546
R601 SE206 027-W006



	51	59	67	75	83	91	99	107	115	123	131	139	147	155	163	171	179	187	195	203

Legend Symbols	
	RITORNO AUTOMATICO Spring return
	CONTATTO CHIUSO Closed contact
	CHIUSO SENZA INTERRUZIONE Closed without current breaking

POSIZIONI Positions	PACCHI Packets		1	2	3	4	5	6	7	8	9	10	11	12												
	MORSETTI Contacts	1	3	5	7	9	11	13	15	17	19	21	23	25	27	29	31	33	35	37	39	41	43	45	47	
DICITURE Engravings																										
TITLE	1	2	3	4	5	6	7	8	9	10	11	12	13	14	15	16	17	18	19	20	21	22	23	24		
	LOKAL	FJÄRR	1	2	3	4	5	6	7	8	9	10	11	12	13	14	15	16	17	18	19	20	21	22	23	24



Drawn EL	Sheet 1/3	Approved by - Date EL/11/10/19
Checked EL	Scale 1:1	Rev. N° A

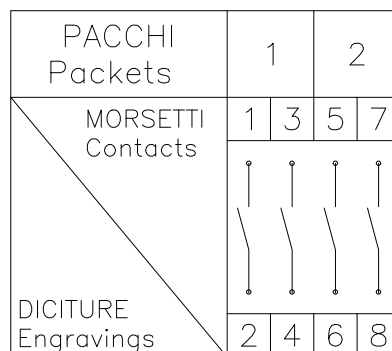
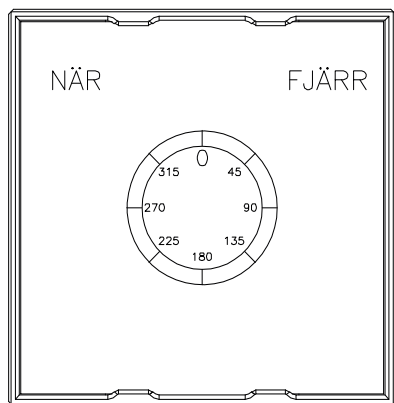
Escutcheon plate
48-21193

Type: R16 2/12 - 506209
Code: R601 SE212 008-W002

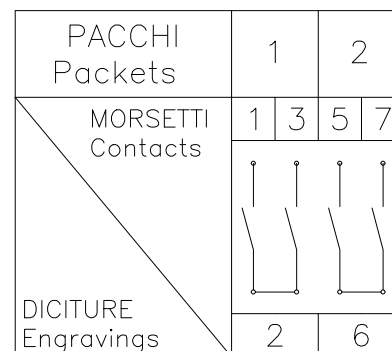
DFO (Stationsomkopplare)

2-läges - 48x48 mm

NÄR//FJÄRR



Separerad kontakt



Gemensam kontakt

Tillquist Art nr: 506545

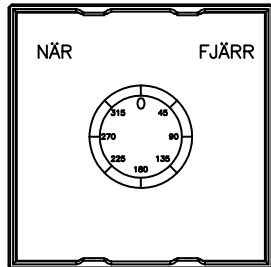
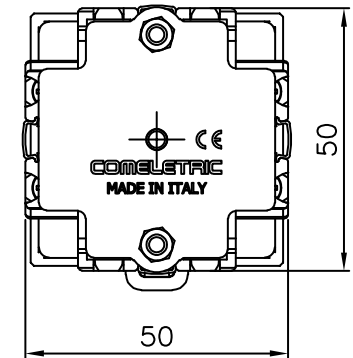
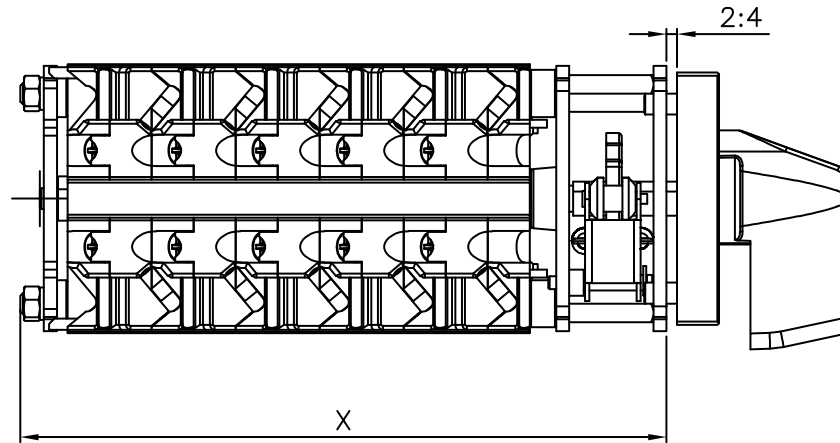
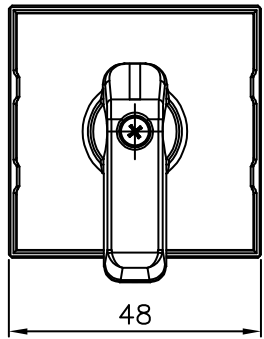
Modell: R16 2/6 (6NC.6NO) ”Separerad kontakt”

Tillquist Art nr: 507328

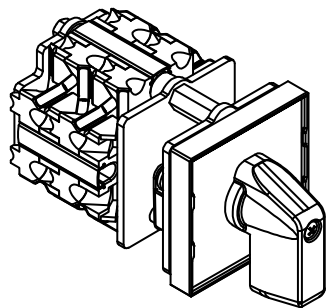
Modell: R16 2/10 (10NC.10NO) ”Gemensam kontakt”

Tillquist Art nr: 506211

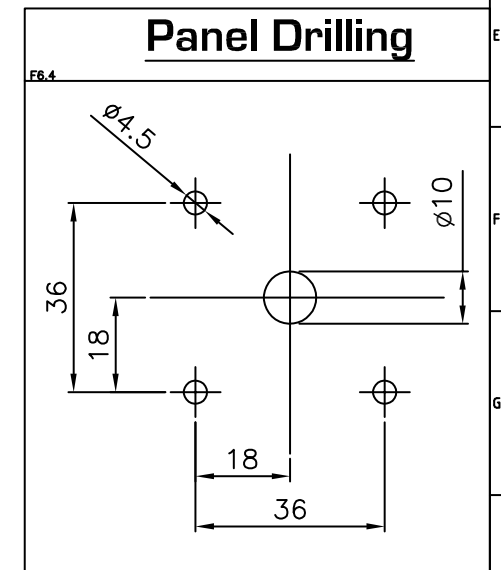
Modell: R16 2/20 (20NC.20NO) ”Gemensam kontakt”



N° PACCHI N° PACKETS	1	2	3	4	5	6	7	8	9	10	11	12	13	14	15	16	17	18	19	20
X= LUNGH. mm Length mm.	51	59	67	75	83	91	99	107	115	123	131	139	147	155	163	171	179	187	195	203



Legend Symbols		POSIZIONI Positions	PACCHI Packets																		
	RITORNO AUTOMATICO Spring return		MORSETTI Contacts	1	2	3	4	5	6												
	CONTATTO CHIUSO Closed contact			1	3	5	7	9	11	13	15	17	19	21	23						
	CHIUSO SENZA INTERRUZIONE Closed without current breaking	DICITURE Engravings	2	4	6	8	10	12	14	16	18	20	22	24							
TITLE																					
1	NÄR																				
2	FJÄRR																				

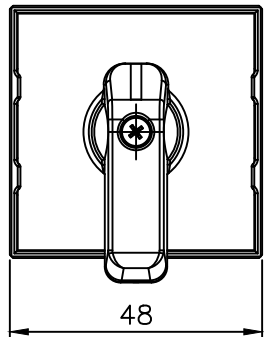


All technical informations contained in this document is the exclusive property of COMELETTRIC and may neither be used nor disclosed without its consent.

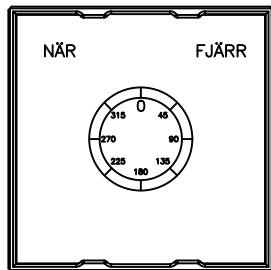
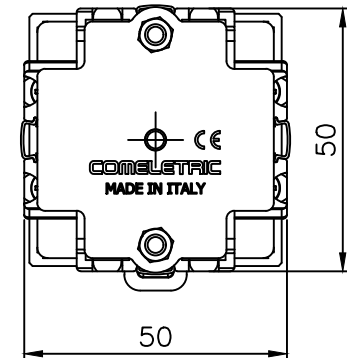
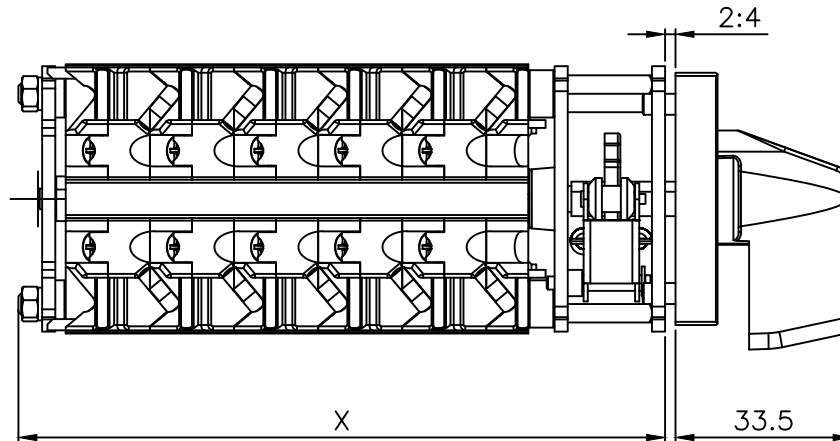
Drawn FR	Sheet 1/3	Approved by - Date FR
Checked FR	Scale 1:1	Rev. N° 0

Escutcheon plate
48-21221

Type: R16 2/6 - 506545
Code: R601 SE206 068-W006

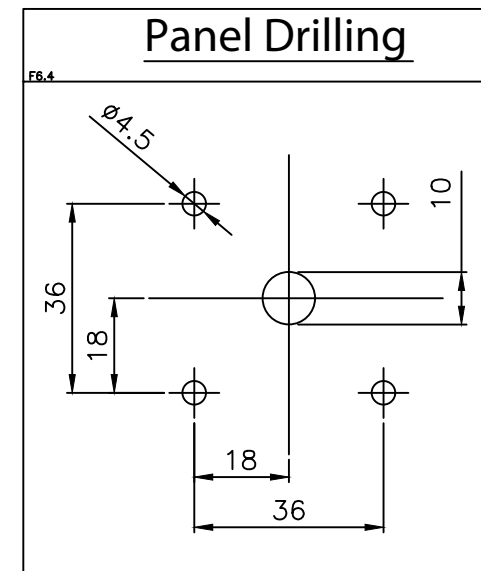
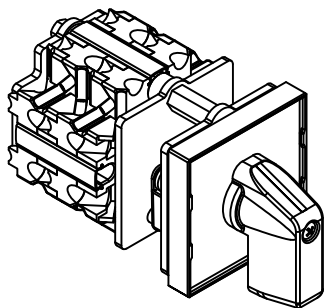


W006	
HANDLE	BLACK
FRONTPLATE	SILVER
HOLDER	BLACK
TEXT	BLACK



N° PACCHI N° PACKETS	1	2	3	4	5	6	7	8	9	10	11	12	13	14	15	16	17	18	19	20
X= LUNGH. mm Length mm.	51	59	67	75	83	91	99	107	115	123	131	139	147	155	163	171	179	187	195	203

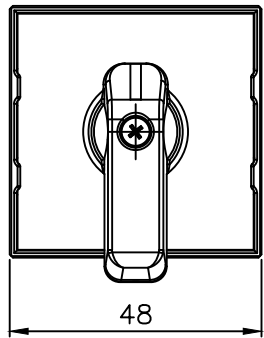
Legend Symbols		POSIZIONI Positions	PACCHI Packets																			
			1	2	3	4	5	6	7	8	9	10										
↶	RITORNO AUTOMATICO Spring return		MORSETTI Contacts	1	3	5	7	9	11	13	15	17	19	21	23	25	27	29	31	33	35	37
X	CONTATTO CHIUSO Closed contact	DICITURE Engravings	2	6	10	14	18	22	26	30	34	38										
⊗	CHIUSO SENZA INTERRUZIONE Closed without current breaking	TITLE																				
		1	NÄR																			
		2	FJÄRR																			



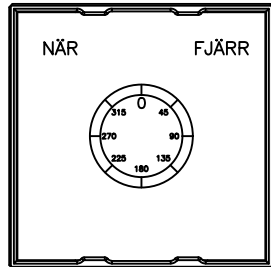
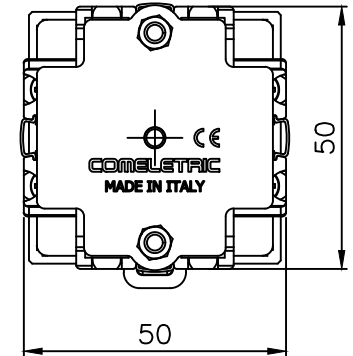
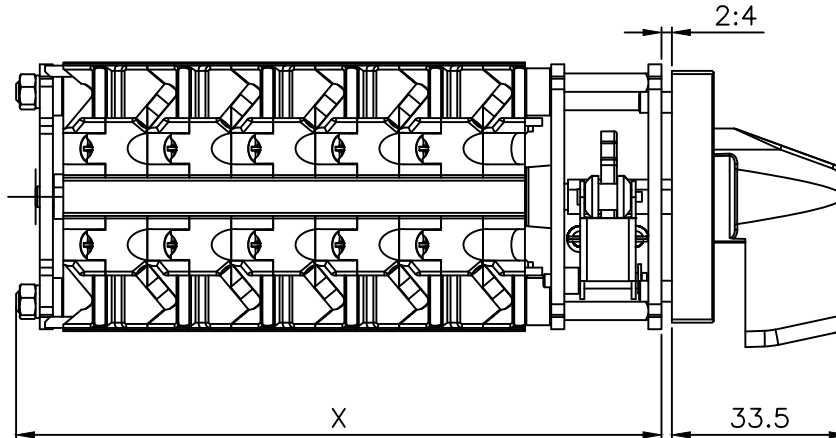
All technical informations contained in this document is the exclusive property of COMELTRIC and may neither be used nor disclosed without its consent.

Drawn	Sheet	Approved by - Date	Escutcheon plate
EL	1/3	EL/15/10/19	
Checked	Scale	Rev. N°	48-21221
EL	1:1	A	

Type: R16 2/10 - 507328
Code: R601 SE210 008-W006



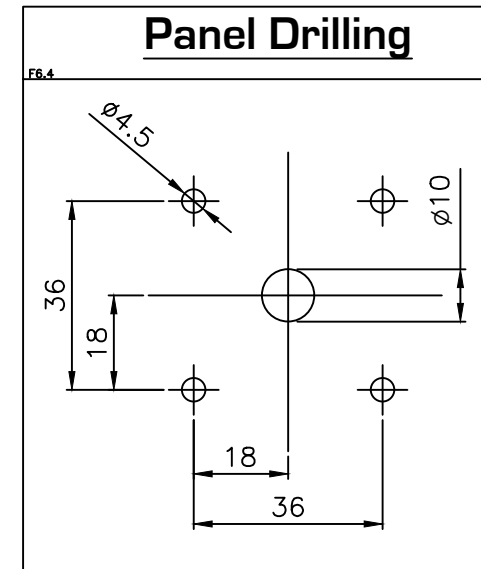
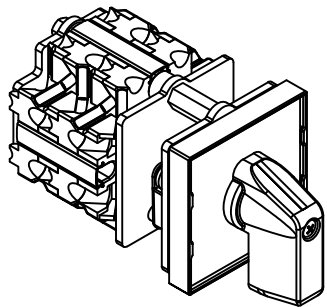
W002	
HANDLE	BLACK
FRONTPLATE	BLACK
HOLDER	BLACK
TEXT	WHITE



N° PACCHI N° PACKETS	1	2	3	4	5	6	7	8	9	10	11	12	13	14	15	16	17	18	19	20
X= LUNGH. mm Length mm.	51	59	67	75	83	91	99	107	115	123	131	139	147	155	163	171	179	187	195	203

Legend Symbols	
	RITORNO AUTOMATICO Spring return
	CONTATTO CHIUSO Closed contact
	CHIUSO SENZA INTERRUZIONE Closed without current breaking

POSIZIONI Positions	PACCHI Packets																			
	1	2	3	4	5	6	7	8	9	10	11	12	13	14	15	16	17	18	19	20
MORSETTI Contacts	1 3	5 7	9 11	13 15	17 19	21 23	25 27	29 31	33 35	37 39	41 43	45 47	49 51	53 55	57 59	61 63	65 67	69 71	73 75	77 79
DICITURE Engravings	2	6	10	14	18	22	26	30	34	38	42	46	50	54	58	62	66	70	74	78
TITLE																				
1	NÄR	X																		
2	FJÄRR	X																		



All technical informations contained in this document is the exclusive property of COMELETTRIC and may neither be used nor disclosed without its consent.

Drawn EL	Sheet 1/3	Approved by - Date EL/15/10/19
Checked EL	Scale 1:1	Rev. N° A

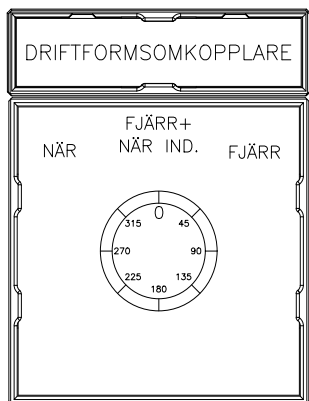
Escutcheon plate
48-21221

Type: R16 2/20 - 506211
Code: R601 SE220 008-W002

DFO (Stationsomkopplare)

3-läges - 48x48 mm

NÄR // FJÄRR + NÄR IND. // FJÄRR



PACCHI Packets	1			2		
MORSETTI Contacts	1	2	4	5	6	8
DICITURE Engravings	3			7		
NÄR			X			X
FJÄRR+ NÄR IND.	X			X		
FJÄRR		X			X	

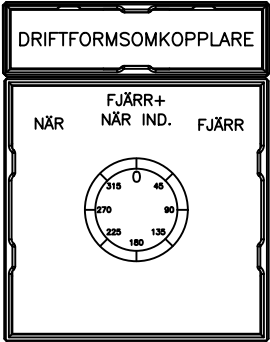
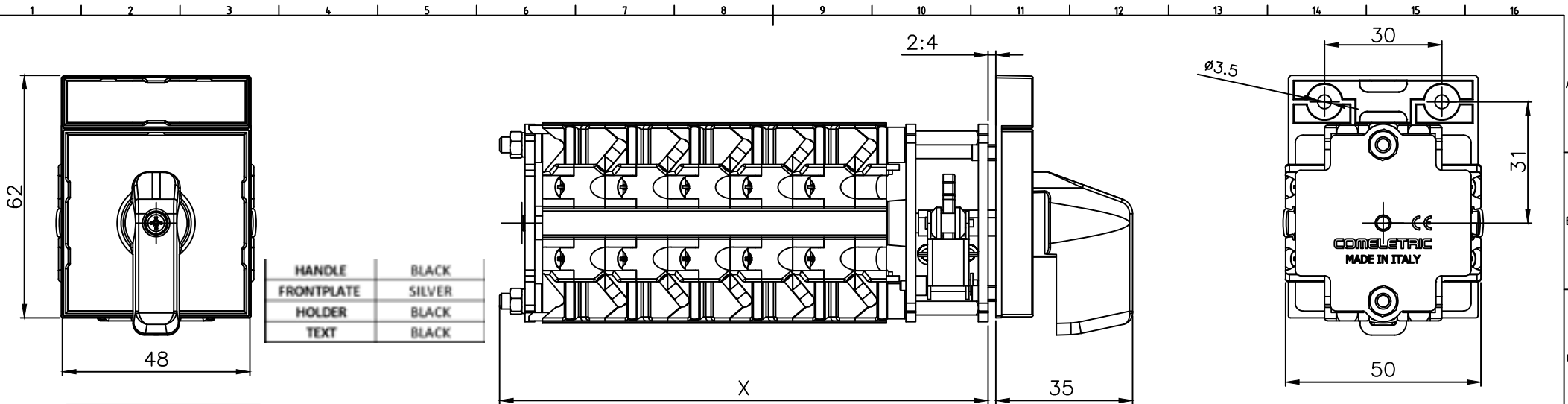
Gemensam kontakt

Tillquist Art nr: 507481
Modell: R16 3/4 (4x3NC) ”Gemensam kontakt”

Tillquist Art nr: 507464
Modell: R16 3/8 (8x3NC) ”Gemensam kontakt”

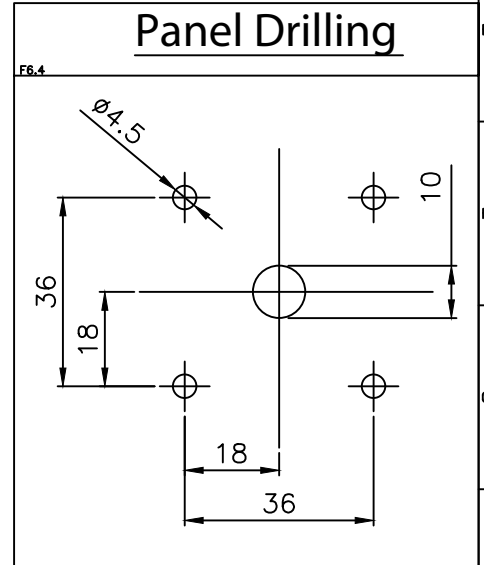
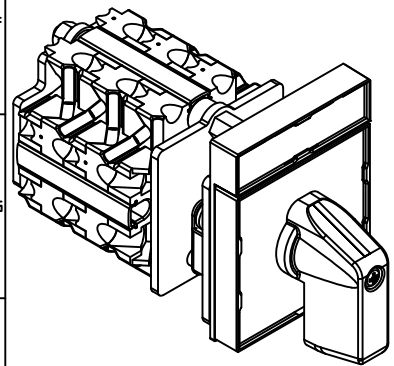
Tillquist Art nr: 507510
Modell: R16 3/10 (10x3NC) ”Gemensam kontakt”

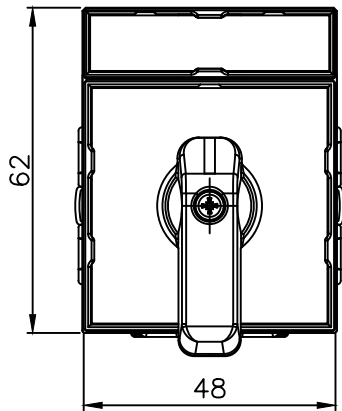
Tillquist Art nr: 507511
Modell: R16 3/16 (16x3NC) ”Gemensam kontakt”



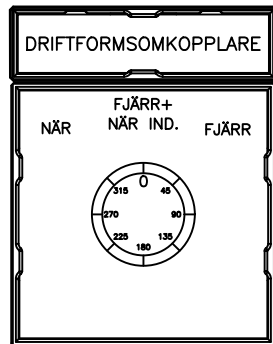
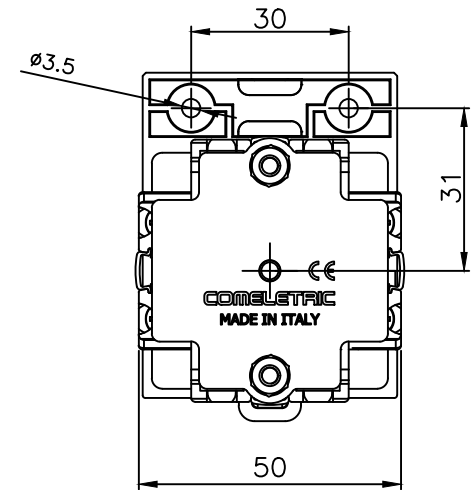
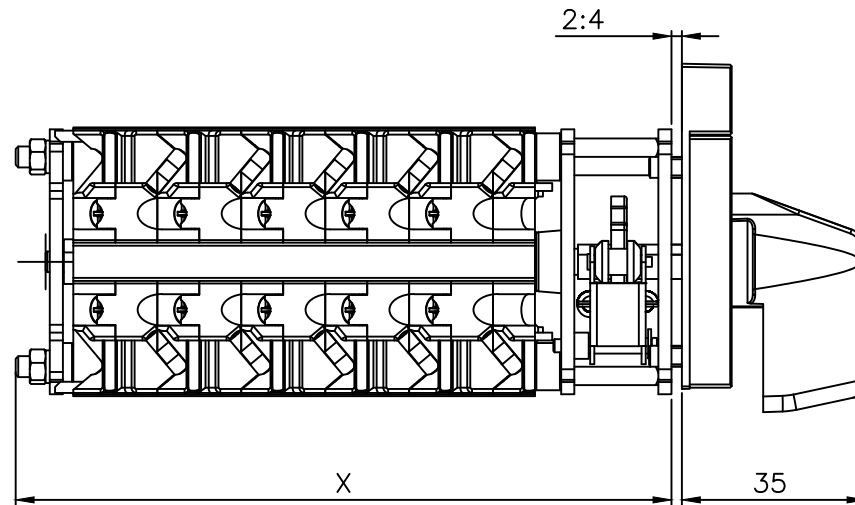
N° PACCHI N° PACKETS	1	2	3	4	5	6	7	8	9	10	11	12	13	14	15	16	17	18	19	20
X= LUNGH. mm Length mm.	51	59	67	75	83	91	99	107	115	123	131	139	147	155	163	171	179	187	195	203

Legend Symbols		POSIZIONI Positions	PACCHI Packets																		
	RITORNO AUTOMATICO Spring return		MORSETTI Contacts	1	2	4	5	6	8	9	10	12	13	14	16						
	CONTATTO CHIUSO Closed contact																				
	CHIUSO SENZA INTERRUZIONE Closed without current breaking	DICITURE Engravings	3	7	11	15															
TITLE																					
	1	NÄR																			
	2	FJÄRR+ NÄR IND.	X	X	X	X	X	X	X	X	X	X	X	X	X	X	X	X	X	X	X
	3	FJÄRR	X	X	X	X	X	X	X	X	X	X	X	X	X	X	X	X	X	X	X



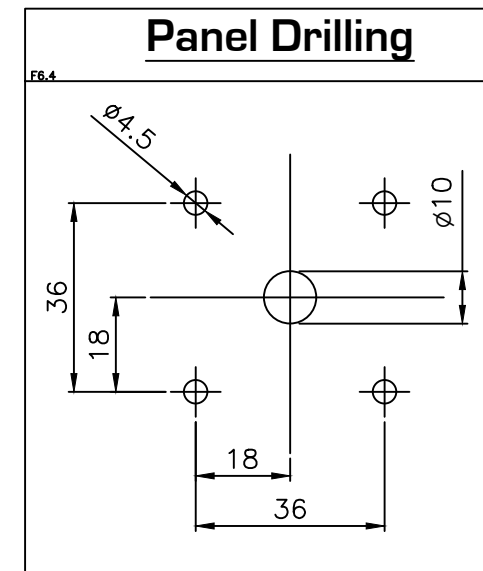
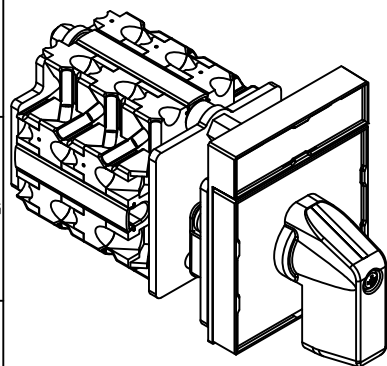


HANDLE	BLACK
FRONTPLATE	SILVER
HOLDER	BLACK
TEXT	BLACK



N° PACCHI N° PACKETS	1	2	3	4	5	6	7	8	9	10	11	12	13	14	15	16	17	18	19	20
X= LUNGH. mm Lenght mm.	51	59	67	75	83	91	99	107	115	123	131	139	147	155	163	171	179	187	195	203

Legend Symbols		POSIZIONI Positions	PACCHI Packets																								
↙	RITORNO AUTOMATICO Spring return		1	2	3	4	5	6	7	8																	
X	CONTATTO CHIUSO Closed contact		MORSETTI Contacts	1	2	4	5	6	8	9	10	12	13	14	16	17	18	20	21	22	24	25	26	28	29	30	32
XX	CHIUSO SENZA INTERRUZIONE Closed without current breaking	DICITURE Engravings	3	7	11	15	19	23	27	31																	
TITLE		1	NÄR																								
		2	FJÄRR+ NÄR IND.	X	X	X	X	X	X	X	X	X	X	X	X	X	X	X	X	X	X	X	X	X	X	X	X
		3	FJÄRR	X	X	X	X	X	X	X	X	X	X	X	X	X	X	X	X	X	X	X	X	X	X	X	X

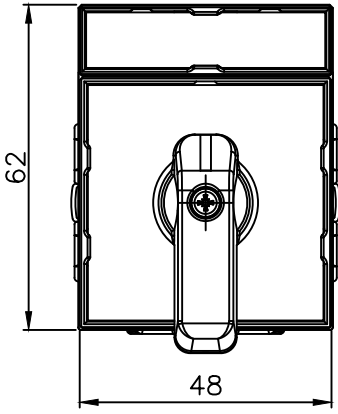


All technical informations contained in this document is the exclusive property of COMELETTRIC and may neither be used nor disclosed without its consent.

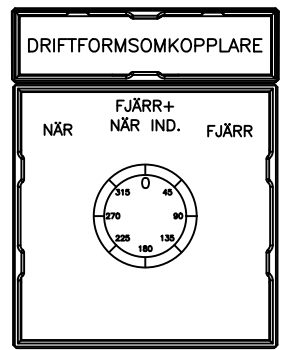
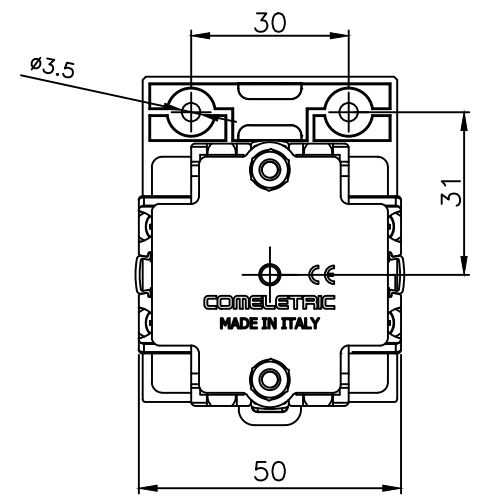
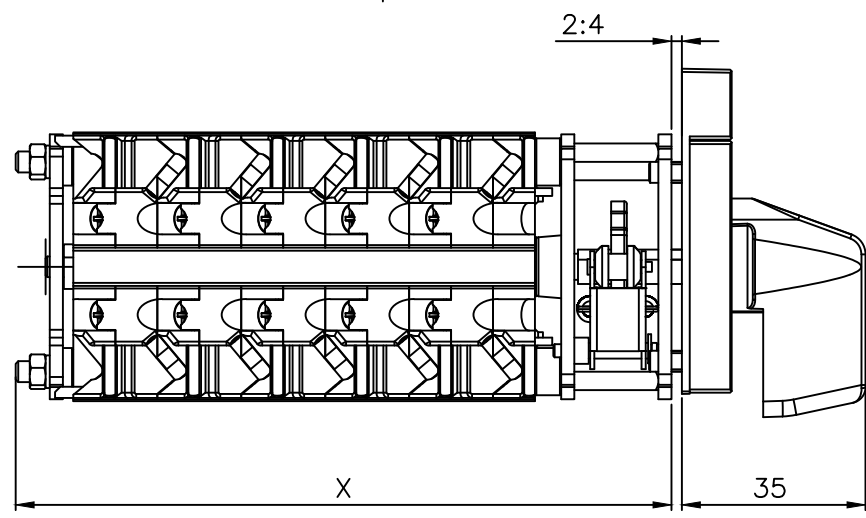
Drawn FR	Sheet 1/3	Approved by - Date FR
Checked FR	Scale 1:1	Rev. N° A

Escutcheon plate
48-31423T157

Type: R16 3/8 - 507464
Code: R601 SE308 004-W008



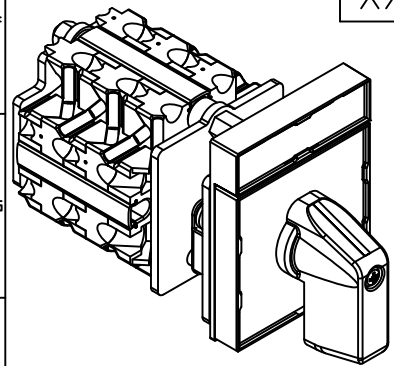
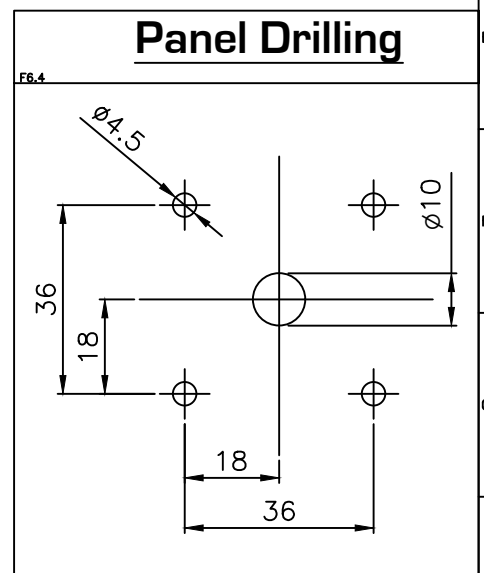
HANDLE	BLACK
FRONTPLATE	SILVER
HOLDER	BLACK
TEXT	BLACK



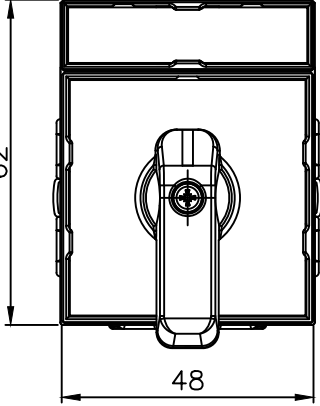
N° PACCHI N° PACKETS	1	2	3	4	5	6	7	8	9	10	11	12	13	14	15	16	17	18	19	20
X= LUNGH. mm Length mm.	51	59	67	75	83	91	99	107	115	123	131	139	147	155	163	171	179	187	195	203

Legend Symbols	
	RITORNO AUTOMATICO Spring return
	CONTATTO CHIUSO Closed contact
	CHIUSO SENZA INTERRUZIONE Closed without current breaking

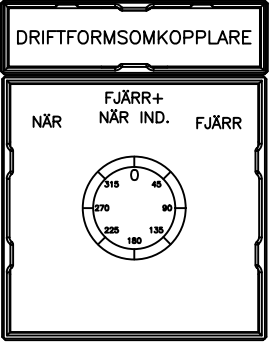
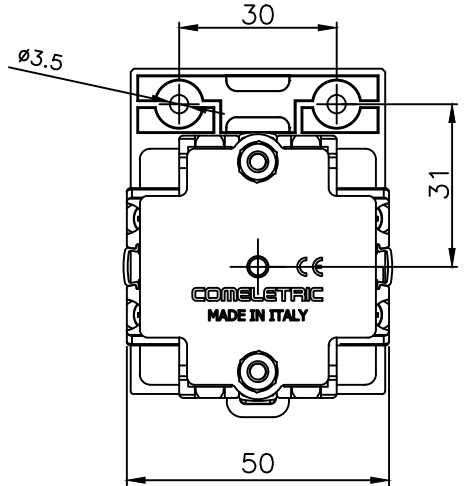
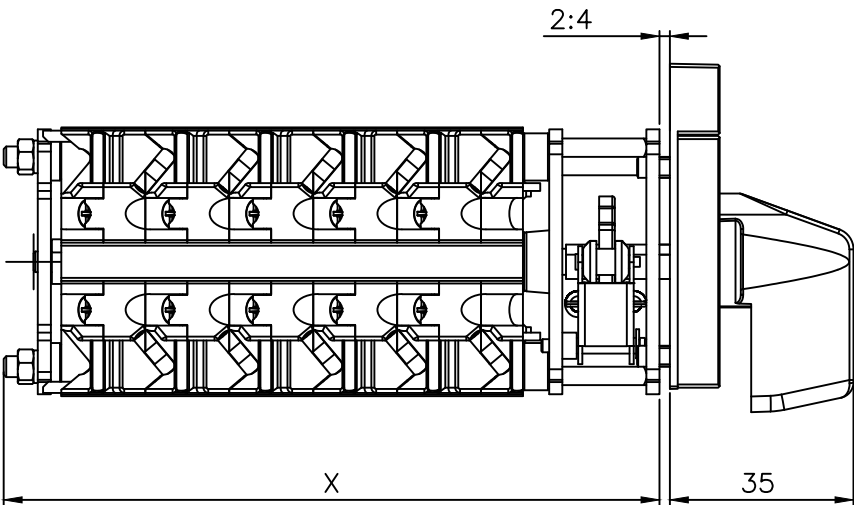
PACCHI Packets	1 2 3 4 5 6 7 8 9 10																														
	MORSETTI Contacts	1	2	4	5	6	8	9	10	12	13	14	16	17	18	20	21	22	24	25	26	28	29	30	32	33	34	36	37	38	40
DICITURE Engravings	3	7		11	15	19	23	27	31	35	39																				
TITLE																															
1	NÄR																														
2	FJÄRR+ NÄR IND.	X	X	X	X	X	X	X	X	X	X	X	X	X	X	X	X	X	X	X	X	X	X	X	X	X	X	X	X	X	X
3	FJÄRR	X	X	X	X	X	X	X	X	X	X	X	X	X	X	X	X	X	X	X	X	X	X	X	X	X	X	X	X	X	X



	All technical informations contained in this document is the exclusive property of COMETRIC and may neither be used nor disclosed without its consent.		Drawn EL	Sheet 1/3	Approved by - Date EL/07/03/23	Escutcheon plate 48-31423T157	Type: R16 3/10 - 507510
	Checked EL	Scale 1:1	Rev. N° A		Code: R601 SE310 004-W008		



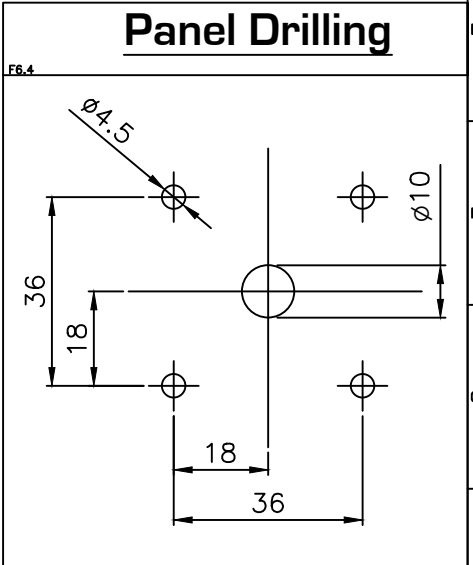
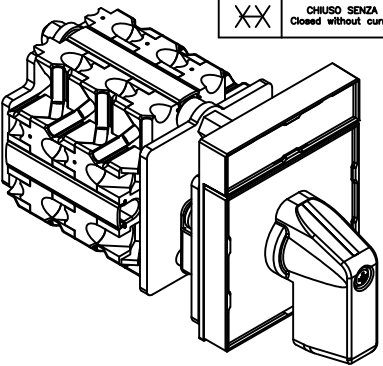
HANDLE	BLACK
FRONTPLATE	SILVER
HOLDER	BLACK
TEXT	BLACK



N° PACCHI	1	2	3	4	5	6	7	8	9	10	11	12	13	14	15	16	17	18	19	20
N° PACKETS	1	2	3	4	5	6	7	8	9	10	11	12	13	14	15	16	17	18	19	20
X= LUNGH. mm Lenght mm.	51	59	67	75	83	91	99	107	115	123	131	139	147	155	163	171	179	187	195	203

Legend Symbols	
	RITORNO AUTOMATICO Spring return
	CONTATTO CHIUSO Closed contact
	CHIUSO SENZA INTERRUZIONE Closed without current breaking

PACCHI Packets	1 2 3 4 5 6 7 8 9 10 11 12 13 14 15 16																				
	MORSETTI Contacts																				
	[Diagram showing contact positions]																				
	DICITURE Engravings																				
	3	7	11	15	19	23	27	31	35	39	43	47	51	55	59	63					
TITLE																					
1	NÄR	X	X	X	X	X	X	X	X	X	X	X	X	X	X	X	X	X	X	X	
2	FJÄRR+	X	X	X	X	X	X	X	X	X	X	X	X	X	X	X	X	X	X	X	
3	FJÄRR	X	X	X	X	X	X	X	X	X	X	X	X	X	X	X	X	X	X	X	



All technical informations contained in this document is the exclusive property of COMELETTRIC and may neither be used nor disclosed without its consent.

Drawn EL Sheet 1/3 Approved by - Date EL/07/03/23

Checked EL Scale 1:1 Rev. N° A

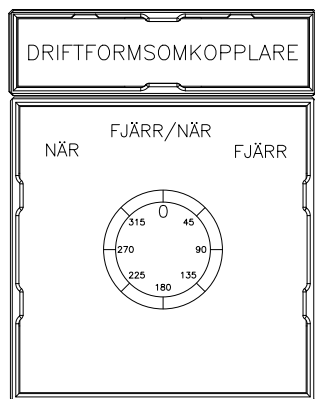
Escutcheon plate
48-31423T157

Type: R16 3/16 - 507511
Code: R601 SE316 004-W008

DFO (Stationsomkopplare)

3-läges - 48x48 mm

NÄR // FJÄRR-NÄR // FJÄRR



PACCHI Packets	1			2		
MORSETTI Contacts	1	2	4	5	6	8
DICITURE Engravings	3			7		
NÄR			X			X
FJÄRR/NÄR	X			X		
FJÄRR		X			X	

Gemensam kontakt

Tillquist Art nr: 506635

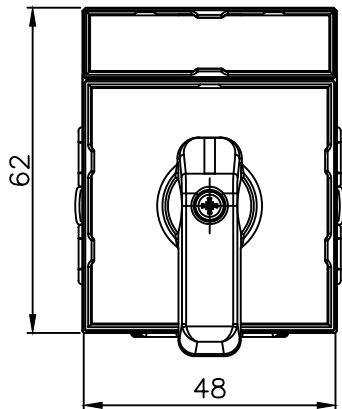
Modell: R16 3/8 (8x3NC) ”Gemensam kontakt”

Tillquist Art nr: 507457

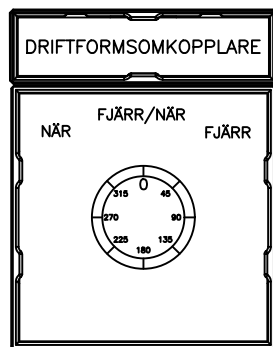
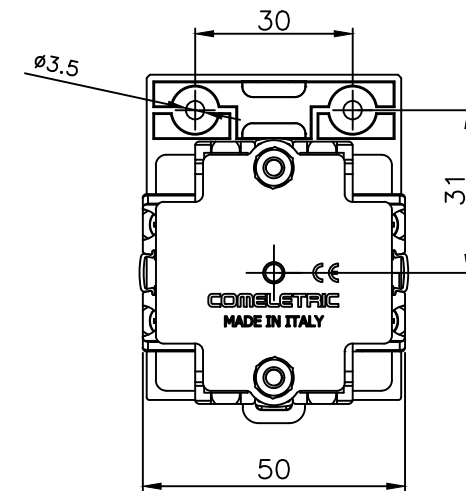
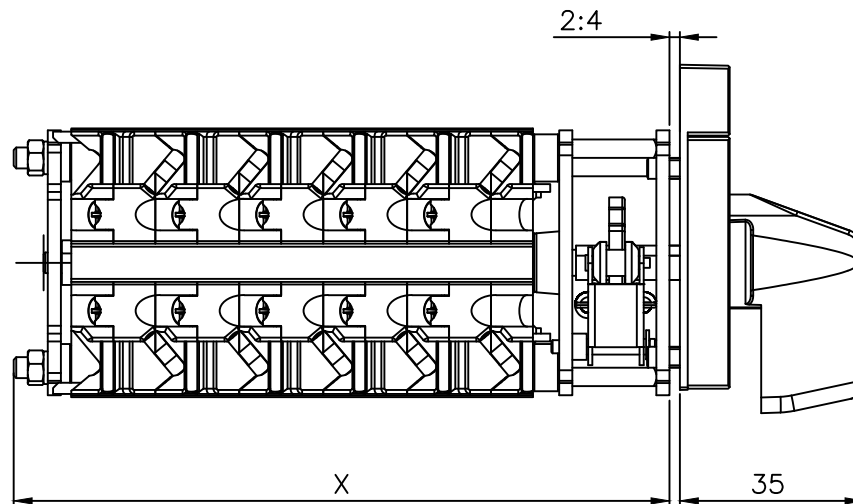
Modell: R16 3/16 (16x3NC) ”Gemensam kontakt”

Tillquist Art nr: 507456

Modell: R16 3/10 (10x3NC) ”Gemensam kontakt”

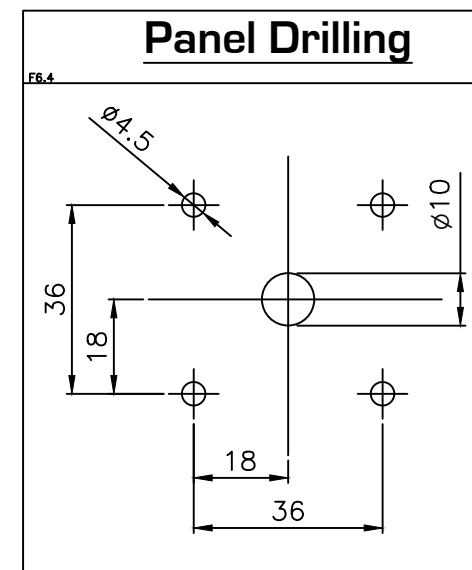
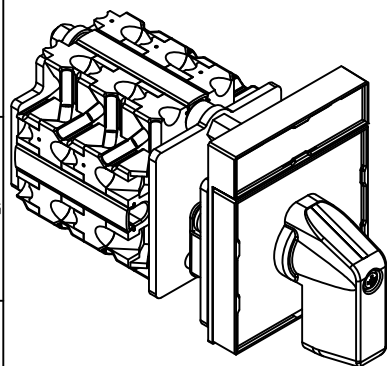


HANDLE	BLACK
FRONTPLATE	SILVER
HOLDER	BLACK
TEXT	BLACK



N° PACCHI N° PACKETS	1	2	3	4	5	6	7	8	9	10	11	12	13	14	15	16	17	18	19	20
X= LUNGH. mm Lenght mm.	51	59	67	75	83	91	99	107	115	123	131	139	147	155	163	171	179	187	195	203

Legend Symbols		POSIZIONI Positions	PACCHI Packets																								
↙	RITORNO AUTOMATICO Spring return		MORSETTI Contacts	1	2	3	4	5	6	7	8																
X	CONTATTO CHIUSO Closed contact		1	2	4	5	6	8	9	10	12	13	14	16	17	18	20	21	22	24	25	26	28	29	30	32	
XX	CHIUSO SENZA INTERRUZIONE Closed without current breaking	DICITURE Engravings	3	7	11	15	19	23	27	31																	
TITLE																											
1		NÄR		X		X		X		X		X		X		X		X		X		X		X		X	
2		FJÄRR/NÄR	X		X		X		X		X		X		X		X		X		X		X		X		X
3		FJÄRR	X		X		X		X		X		X		X		X		X		X		X		X		X

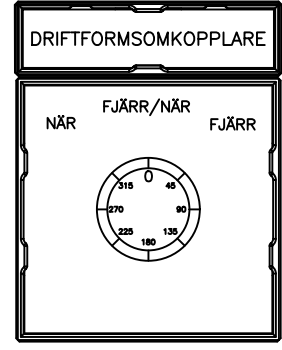
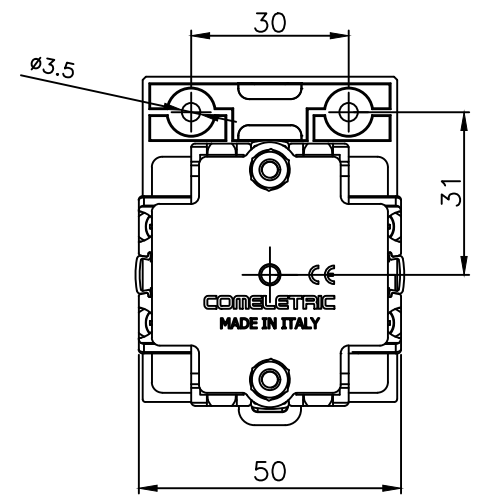
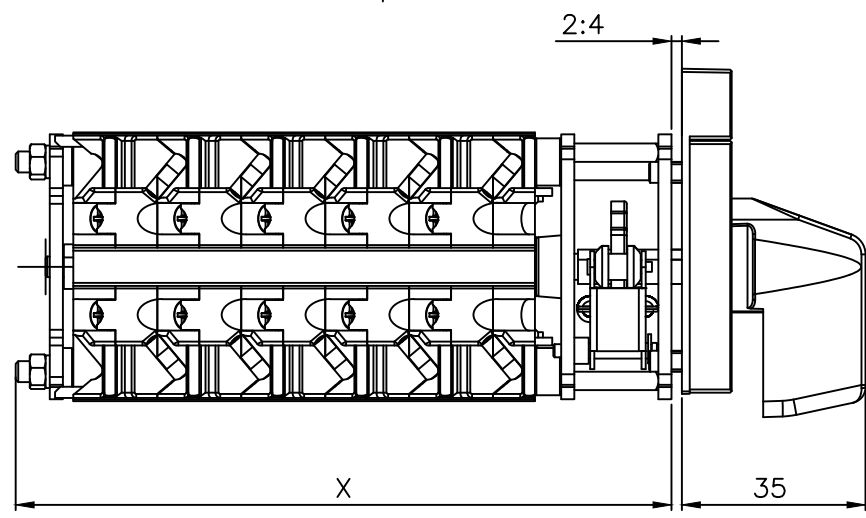
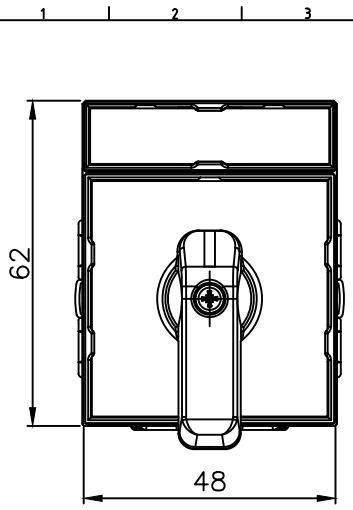


All technical informations contained in this document is the exclusive property of COMELETTRIC and may neither be used nor disclosed without its consent.

Drawn FR	Sheet 1/3	Approved by - Date FR
Checked FR	Scale 1:1	Rev. N° A

Escutcheon plate
48-31156T157

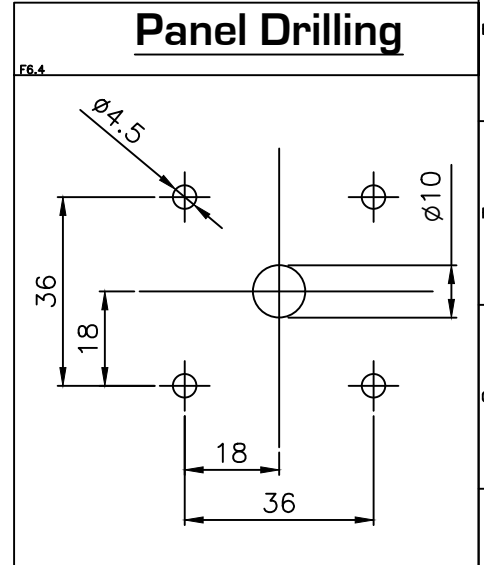
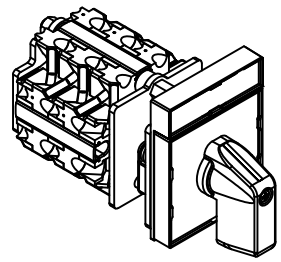
Type: R16 3/8 506635
Code: R601 SE308 004-W008



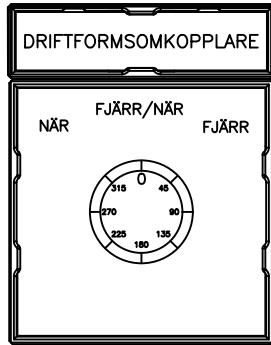
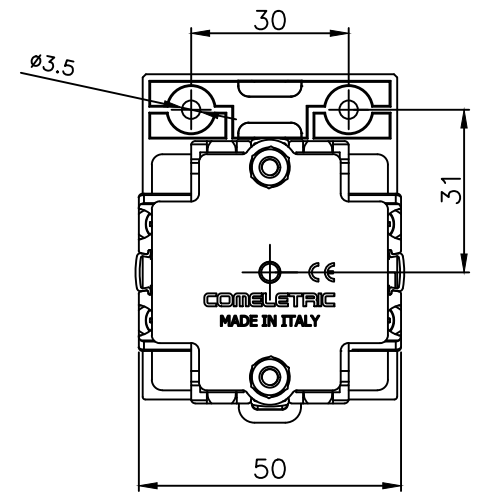
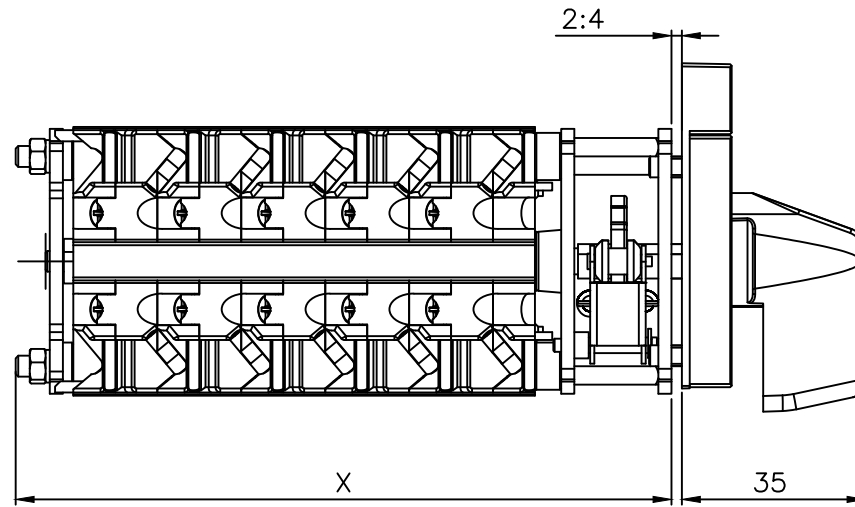
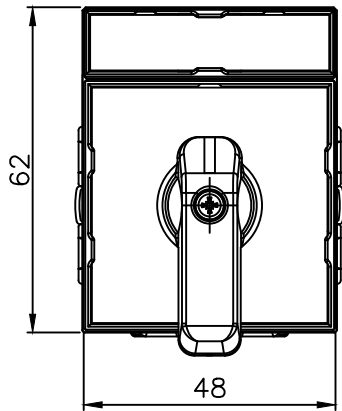
N° PACCHI N° PACKETS	1	2	3	4	5	6	7	8	9	10	11	12	13	14	15	16	17	18	19	20
X= LUNGH. mm Lenght mm.	51	59	67	75	83	91	99	107	115	123	131	139	147	155	163	171	179	187	195	203

Legend Symbols	
	RITORNO AUTOMATICO Spring return
	CONTATTO CHIUSO Closed contact
	CHIUSO SENZA INTERRUZIONE Closed without current breaking

POSIZIONI Positions	PACCHI Packets																													
	1	2	3	4	5	6	7	8	9	10																				
MORSETTI Contacts	1	2	4	5	6	8	9	10	12	13	14	16	17	18	20	21	22	24	25	26	28	29	30	32	33	34	36	37	38	40
DICITURE Engravings	3	7	11	15	19	23	27	31	35	39																				
TITLE																														
1	NÄR		X		X		X		X		X		X		X		X		X		X		X		X		X		X	
2	FJÄRR/NÄR	X		X		X		X		X		X		X		X		X		X		X		X		X		X		
3	FJÄRR	X	X	X	X	X	X	X	X	X	X	X	X	X	X	X	X	X	X	X	X	X	X	X	X	X	X	X		



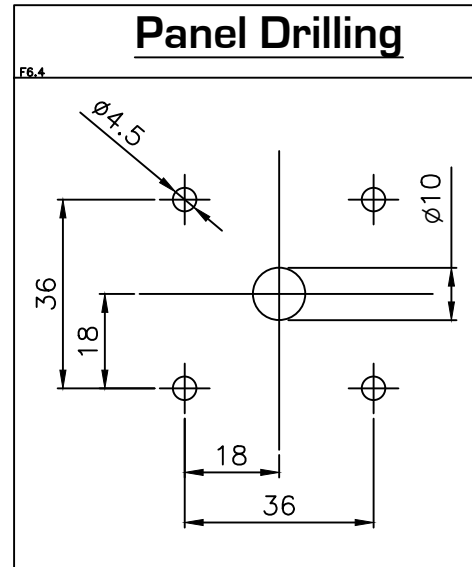
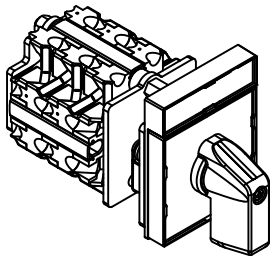
	All technical informations contained in this document is the exclusive property of COMETRIC and may neither be used nor disclosed without its consent.			Drawn FR	Sheet 1/3	Approved by - Date FR	Escutcheon plate 48-31156T157	Type: R16 3/10 - 507456
	Checked FR	Scale 1:1	Rev. N° A	Code: R601 SE310 004-W008				



N° PACCHI N° PACKETS	1	2	3	4	5	6	7	8	9	10	11	12	13	14	15	16	17	18	19	20
X= LUNGH. mm Length mm.	51	59	67	75	83	91	99	107	115	123	131	139	147	155	163	171	179	187	195	203

Legend Symbols	
	RITORNO AUTOMATICO Spring return
	CONTATTO CHIUSO Closed contact
	CHIUSO SENZA INTERRUZIONE Closed without current breaking

POSIZIONI Positions	PACCHI Packets																									
	1	2	3	4	5	6	7	8	9	10	11	12	13	14	15	16										
MORSETTI Contacts	1 2 4	5 6 8	9 10 12 13 14 16 17 18 20 21 22 24	25 26 28	29 30 32 33 34 36 37 38 40	41 42 44 45 46 48	49 50 52 53 54 56 57 58 60 61 62 64																			
DICITURE Engravings	3	7	11	15	19	23	27	31	35	39	43	47	51	55	59	63										
TITLE																										
1	NÄR	X	X	X	X	X	X	X	X	X	X	X	X	X	X	X	X	X	X	X						
2	FJÄRR/NÄR	X	X	X	X	X	X	X	X	X	X	X	X	X	X	X	X	X	X	X						
3	FJÄRR	X	X	X	X	X	X	X	X	X	X	X	X	X	X	X	X	X	X	X						



All technical informations contained in this document is the exclusive property of COMELETTRIC and may neither be used nor disclosed without its consent.

Drawn FR	Sheet 1/3	Approved by - Date FR
Checked FR	Scale 1:1	Rev. N° A

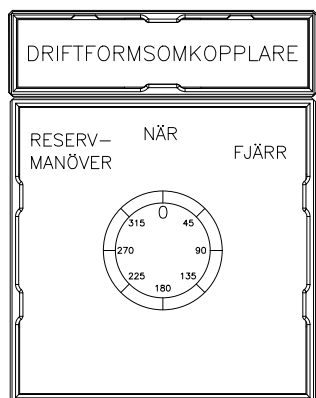
Escutcheon plate
48-31156T157

Type: R16 3/16 507457
Code: R601 SE316 004-W008

DFO (Stationsomkopplare)

3-läges - 48x48 mm

RESERV-MANÖVER // NÄR // FJÄRR



PACCHI Packets	1		2			
MORSETTI Contacts	1	2	4	5	6	8
DICITURE Engravings	3		7			
RESERVMANÖVER			X			X
NÄR	X			X		
FJÄRR		X			X	

Gemensam kontakt

Tillquist Art nr: 506068A

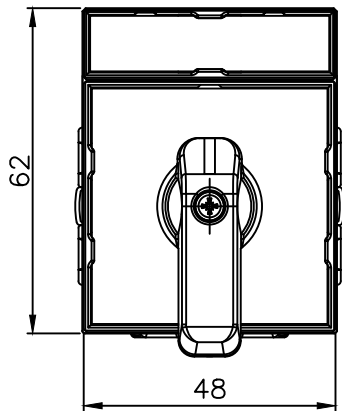
Modell: R16 3/8 (8x3NC) ”Gemensam kontakt”

Tillquist Art nr: 507459

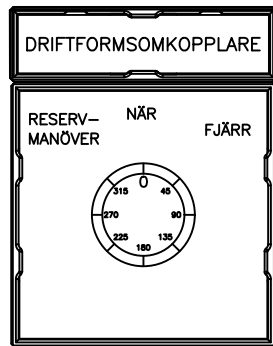
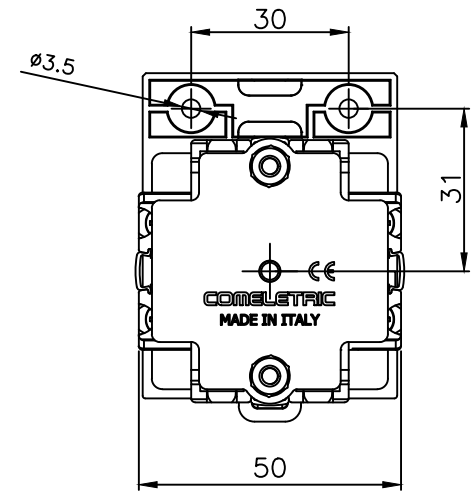
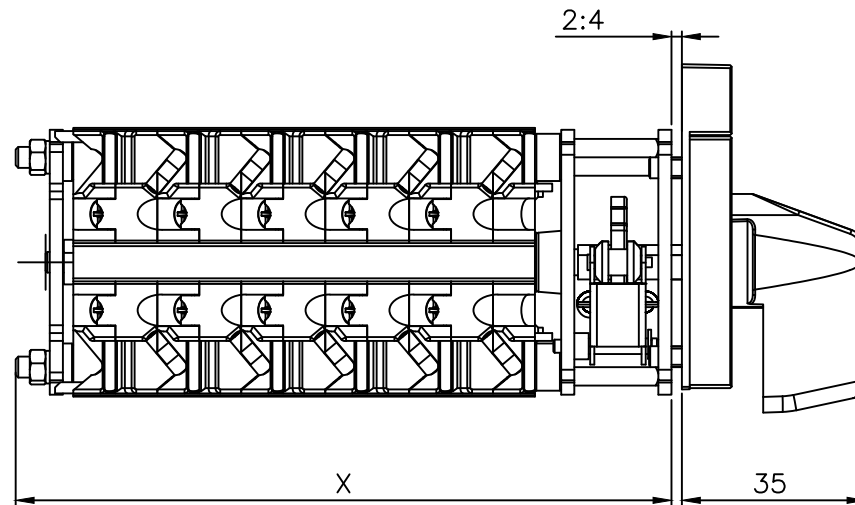
Modell: R16 3/16 (16x3NC) ”Gemensam kontakt”

Tillquist Art nr: 507458

Modell: R16 3/10 (10x3NC) ”Gemensam kontakt”

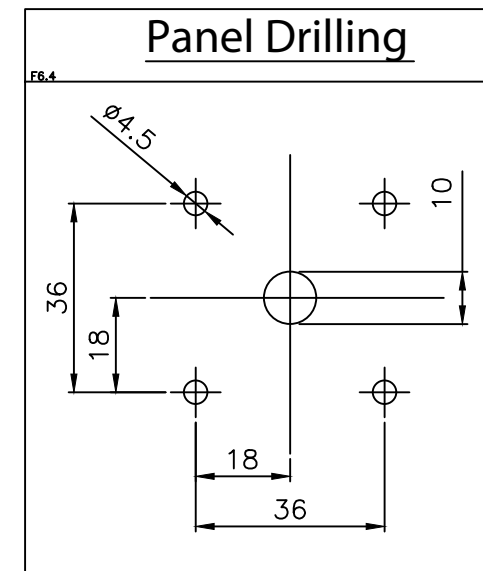
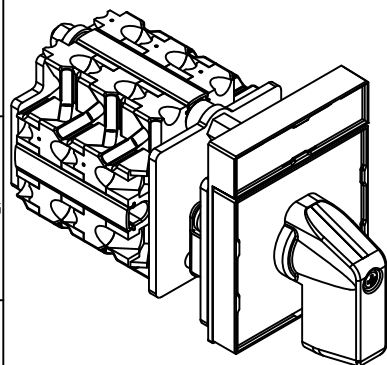


HANDLE	BLACK
FRONTPLATE	SILVER
HOLDER	BLACK
TEXT	BLACK



N° PACCHI N° PACKETS	1	2	3	4	5	6	7	8	9	10	11	12	13	14	15	16	17	18	19	20
X= LUNGH. mm Lenght mm.	51	59	67	75	83	91	99	107	115	123	131	139	147	155	163	171	179	187	195	203

Legend Symbols		POSIZIONI Positions	PACCHI Packets							
	RITORNO AUTOMATICO Spring return		MORSETTI Contacts							
	CONTATTO CHIUSO Closed contact		1	2	3	4	5	6	7	8
	CHIUSO SENZA INTERRUZIONE Closed without current breaking	DICITURE Engravings	3	7	11	15	19	23	27	31
TITLE										
1	RESERVMANÖVER		X	X	X	X	X	X	X	X
2	NÄR	X	X	X	X	X	X	X	X	X
3	FJÄRR	X	X	X	X	X	X	X	X	X

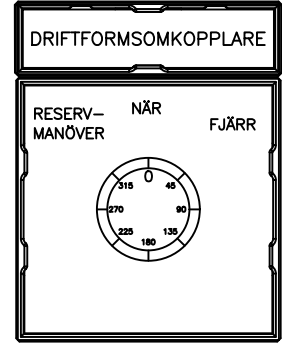
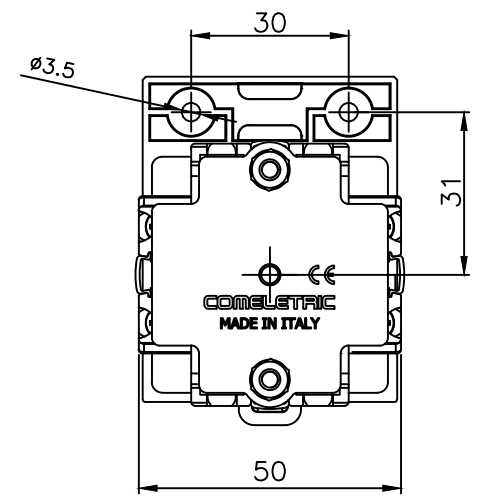
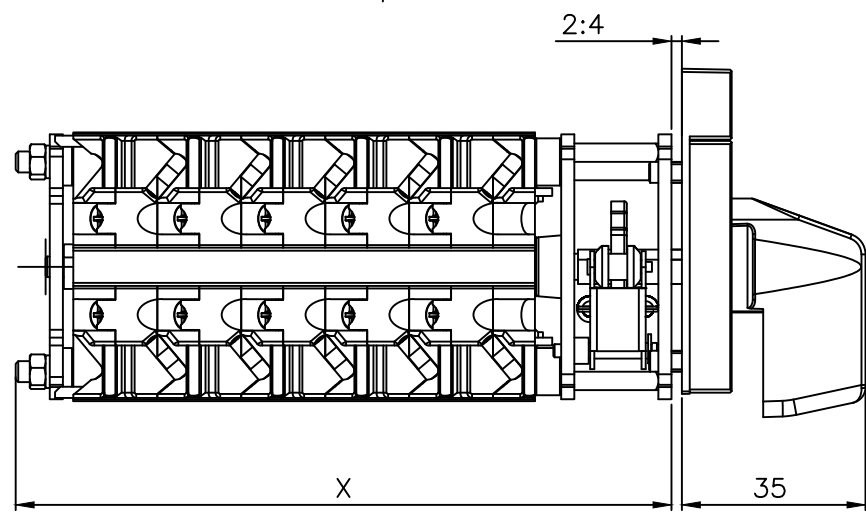
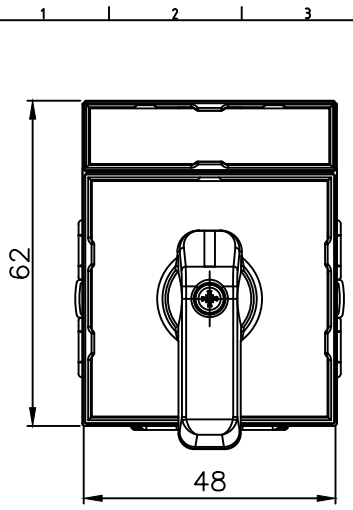


All technical informations contained in this document is the exclusive property of COMELETTRIC and may neither be used nor disclosed without its consent.

Drawn FR	Sheet 1/3	Approved by - Date FR
Checked FR	Scale 1:1	Rev. N° A

Escutcheon plate
48-30271T157

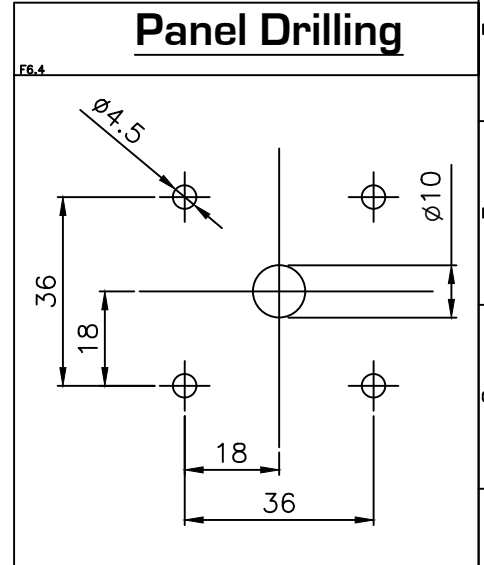
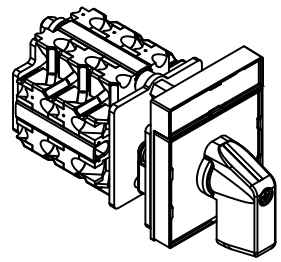
Type: R16 3/8 506068A
Code: R601 SE308 004-W008



N° PACCHI N° PACKETS	1	2	3	4	5	6	7	8	9	10	11	12	13	14	15	16	17	18	19	20
X= LUNGH. mm Lenght mm.	51	59	67	75	83	91	99	107	115	123	131	139	147	155	163	171	179	187	195	203

Legend Symbols	
	RITORNO AUTOMATICO Spring return
	CONTATTO CHIUSO Closed contact
	CHIUSO SENZA INTERRUZIONE Closed without current breaking

PACCHI Packets	1 2 3 4 5 6 7 8 9 10																													
	MORSETTI Contacts	1	2	4	5	6	8	9	10	12	13	14	16	17	18	20	21	22	24	25	26	28	29	30	32	33	34	36	37	38
DICITURE Engravings	3	7	11	15	19	23	27	31	35	39																				
POSIZIONI Positions	[Diagram showing contact positions for each packet]																													
TITLE																														
1	RESERVMAN.		X		X		X		X		X		X		X		X		X		X		X		X		X		X	
2	NÄR	X		X		X		X		X		X		X		X		X		X		X		X		X		X		X
3	FJÄRR	X		X		X		X		X		X		X		X		X		X		X		X		X		X		X

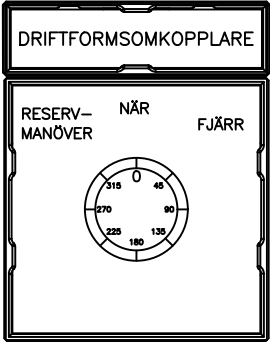
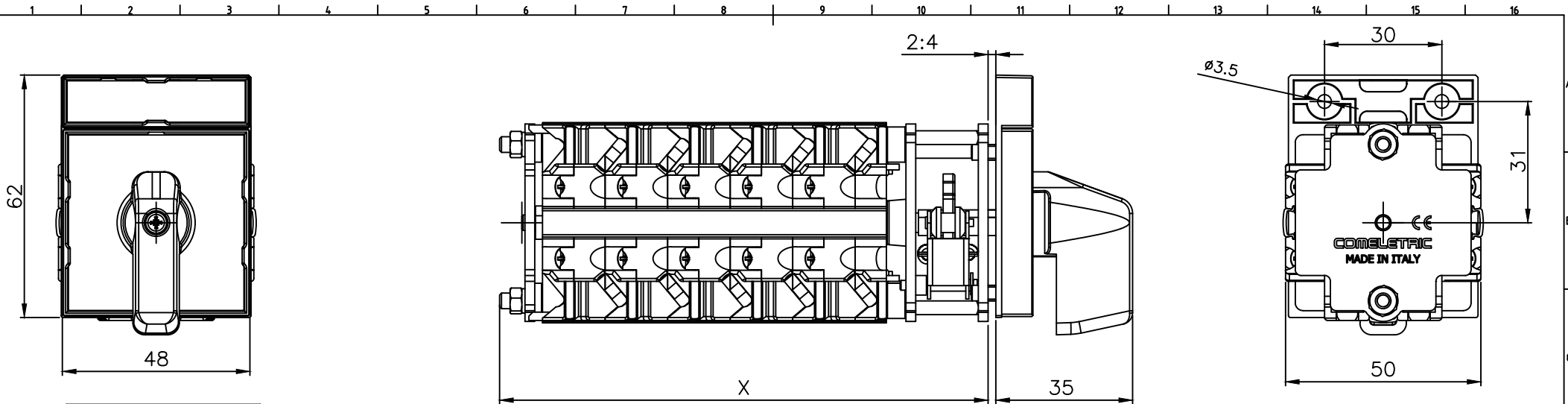


All technical informations contained in this document is the exclusive property of COMELETTRIC and may neither be used nor disclosed without its consent.

Drawn FR	Sheet 1/3	Approved by - Date FR
Checked FR	Scale 1:1	Rev. N° A

Escutcheon plate
48-30271T157

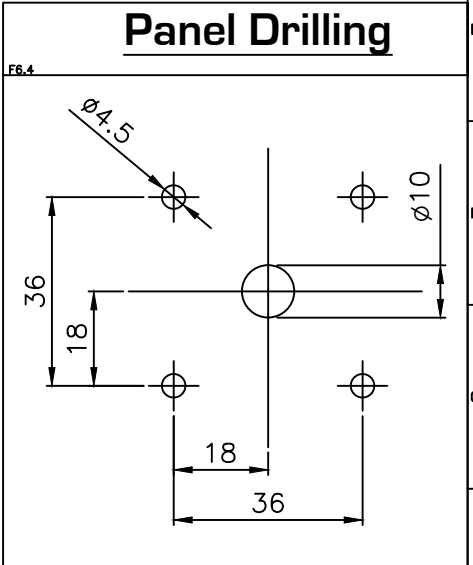
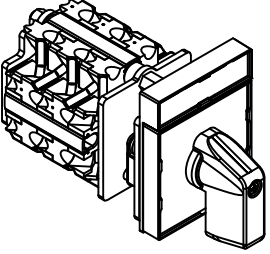
Type: R16 3/10 507458
Code: R601 SE310 004-W008



N° PACCHI N° PACKETS	1	2	3	4	5	6	7	8	9	10	11	12	13	14	15	16	17	18	19	20
X= LUNGH. mm Lenght mm.	51	59	67	75	83	91	99	107	115	123	131	139	147	155	163	171	179	187	195	203

Legend Symbols	
	RITORNO AUTOMATICO Spring return
	CONTATTO CHIUSO Closed contact
	CHIUSO SENZA INTERRUZIONE Closed without current breaking

POSIZIONI Positions	PACCHI Packets																																																	
	1	2	3	4	5	6	7	8	9	10	11	12	13	14	15	16																																		
MORSETTI Contacts	1	2	4	5	6	8	9	10	12	13	14	16	17	18	20	21	22	24	25	26	28	29	30	32	33	34	36	37	38	40	41	42	44	45	46	48	49	50	52	53	54	56	57	58	60	61	62	64		
DICITURE Engravings	3	7	11	15	19	23	27	31	35	39	43	47	51	55	59	63																																		
TITLE																																																		
1	RESERVMAN.		X		X		X		X		X		X		X		X		X		X		X		X		X		X		X		X		X		X		X		X		X		X		X		X	
2	NÄR		X	X		X	X		X	X		X	X		X	X		X	X		X	X		X	X		X	X		X	X		X	X		X	X		X	X		X	X		X	X		X	X	
3	FJÄRR	X		X		X		X		X		X		X		X		X		X		X		X		X		X		X		X		X		X		X		X		X		X		X		X		X



All technical informations contained in this document is the exclusive property of COMELETTRIC and may neither be used nor disclosed without its consent.

Drawn	Sheet	Approved by - Date	Escutcheon plate
FR	1/3	FR	
Checked	Scale	Rev. N°	48-30271T157
FR	1:1	A	

Type:	R16 3/16 507459
Code:	R601 SE316 004-W008

DFO (Stationsomkopplare)

Tillbehör - 48x48 mm

Tillquist Art nr: 506670
Skylthållare Ink. text: FJÄRRMANÖVER

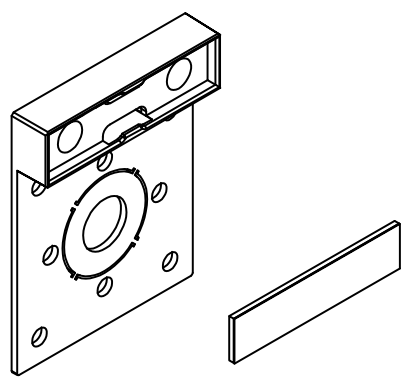
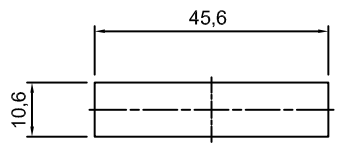
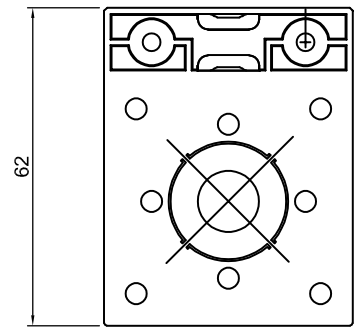
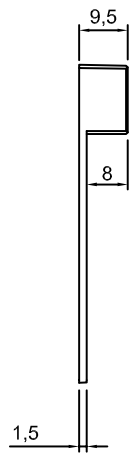
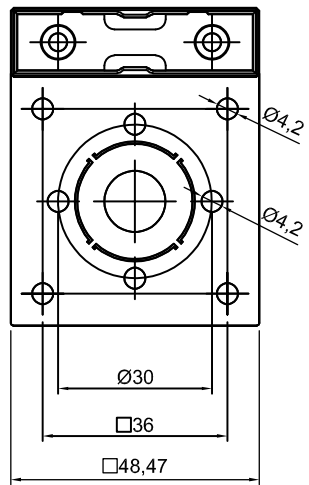
Tillquist Art nr: 507033
Skylthållare Ink. text: STATIONSOMKOPPLARE

Tillquist Art nr: 507281
Frontskylt Ink. text: NÄR//FJÄRR

Tillquist Art nr: 507135
Skylthållare Ink. text: DRIFTFORMSOMKOPPLARE

Tillquist Art nr: 507453
Frontskylt Ink. text: LOKAL//FJÄRR

Tillquist Art nr: 507327
Frontskylt Ink. text: FRÅN//TILL



FJÄRRMANÖVER

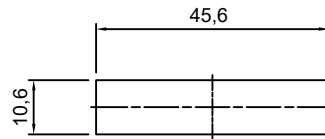
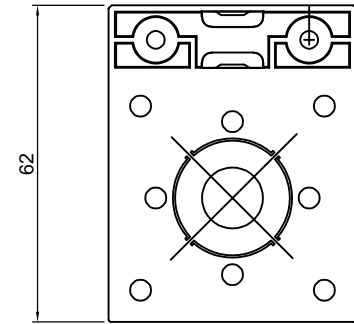
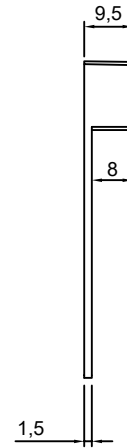
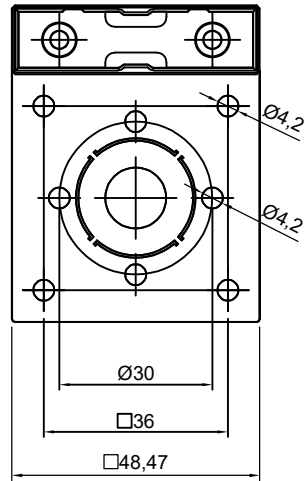


All technical informations contained in this document is the exclusive property of COMLETRIC and may neither be used nor disclosed without its consent.

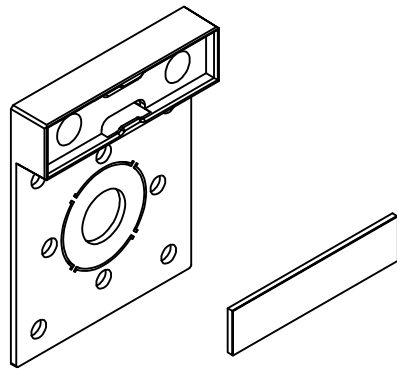
Drawn FR	Sheet 1/1	Approved by - Date FR/18/11/16
Checked FR	Scale 1:1	Rev. N° A

Escutcheon plate

Type: LEGEND LABEL - 506670
Code: TL48M-00292



TL48M	
HOLDER	BLACK
FRONTPLATE	SILVER
ENGRAVING	FRONT
MATERIAL	TRAFFOLYTE
TEXT	BLACK



STATIONSOMKOPPLARE



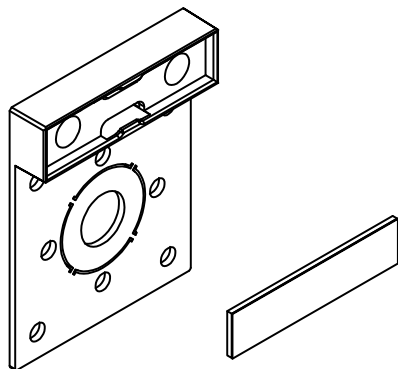
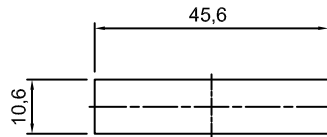
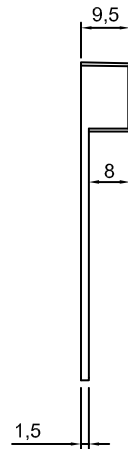
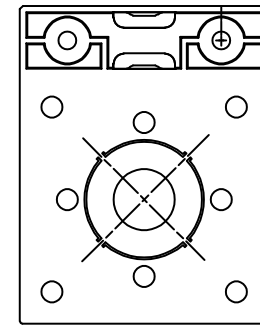
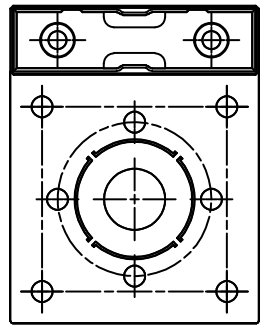
All technical informations contained in this document is the exclusive property of COMETRIC and may neither be used nor disclosed without its consent.

Drawn FR	Sheet 1/1	Approved by - Date FR/18/11/16
Checked FR	Scale 1:1	Rev. N° A

Escutcheon plate

Type: LEGEND LABEL - 507033

Code: TL48M-00200



DRIFTFORMSOMKOPPLARE

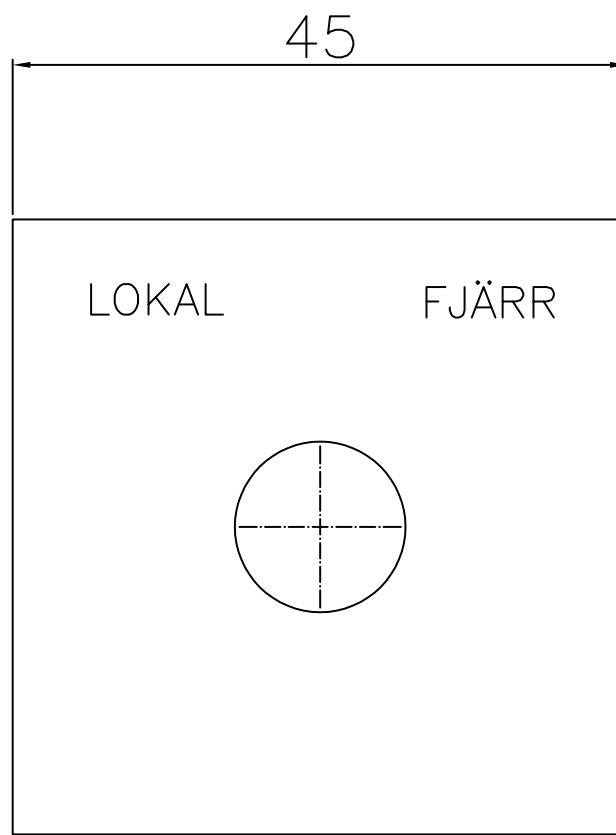
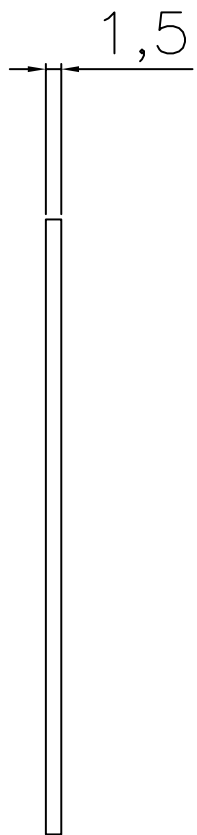


All technical informations contained in this document is the exclusive property of COMELETIC and may neither be used nor disclosed without its consent.

Drawn EL	Sheet 1/1	Approved by - Date EL/05/03/2020
Checked EL	Scale 1:1	Rev. N° A

Escutcheon plate

Type:	LEGEND LABEL 507135
Code:	TL48M-00157

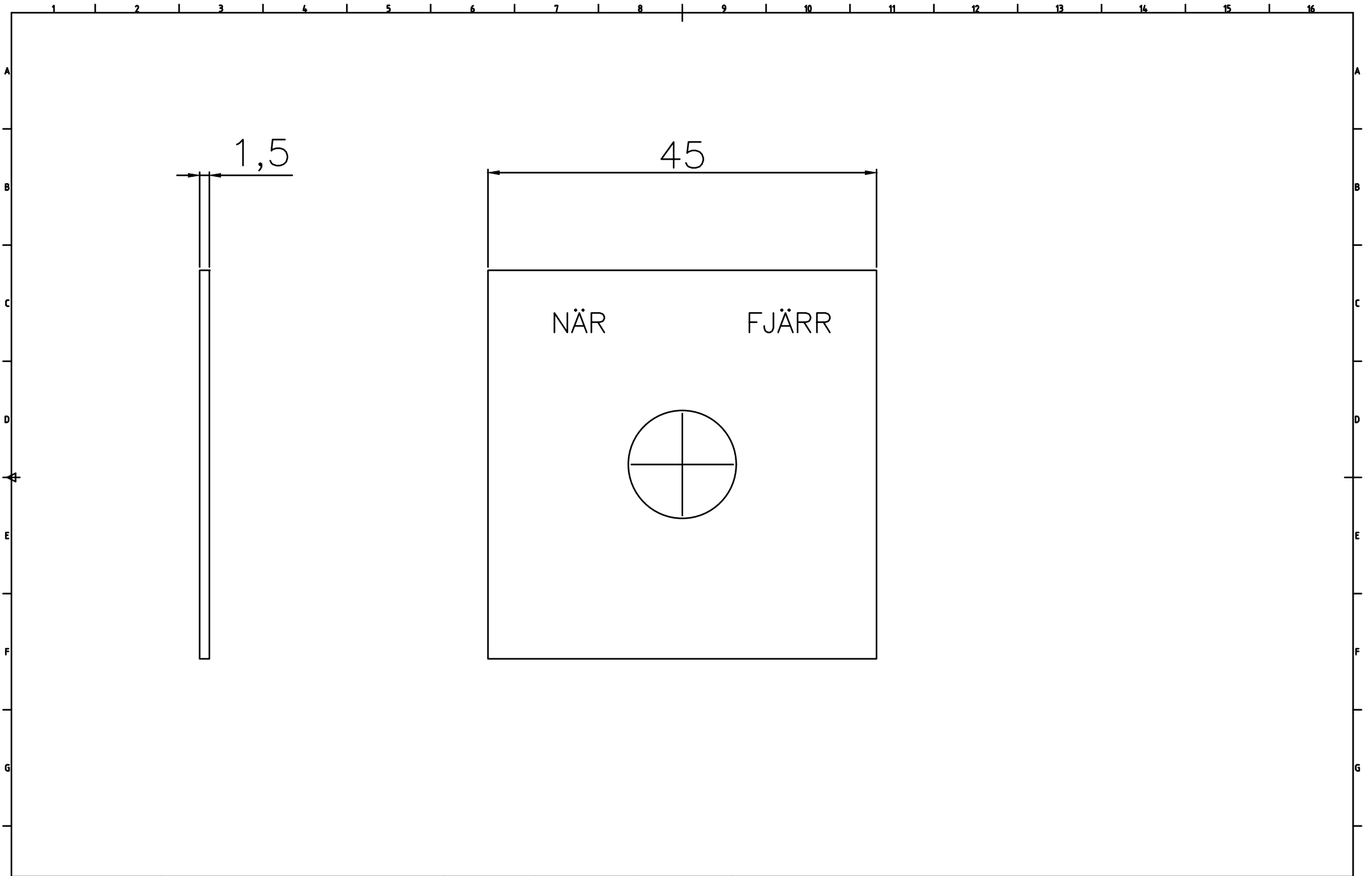


All technical informations contained in this document is the exclusive property of COMELETRIC and may neither be used nor disclosed without its consent.

Drawn EL	Sheet 1/1	Approved by - Date EL/06/07/17
Checked EL	Scale 1:1	Rev. N° A

Escutcheon plate

Type:	NAMEPLATE - 507453
Code:	1071M-21193

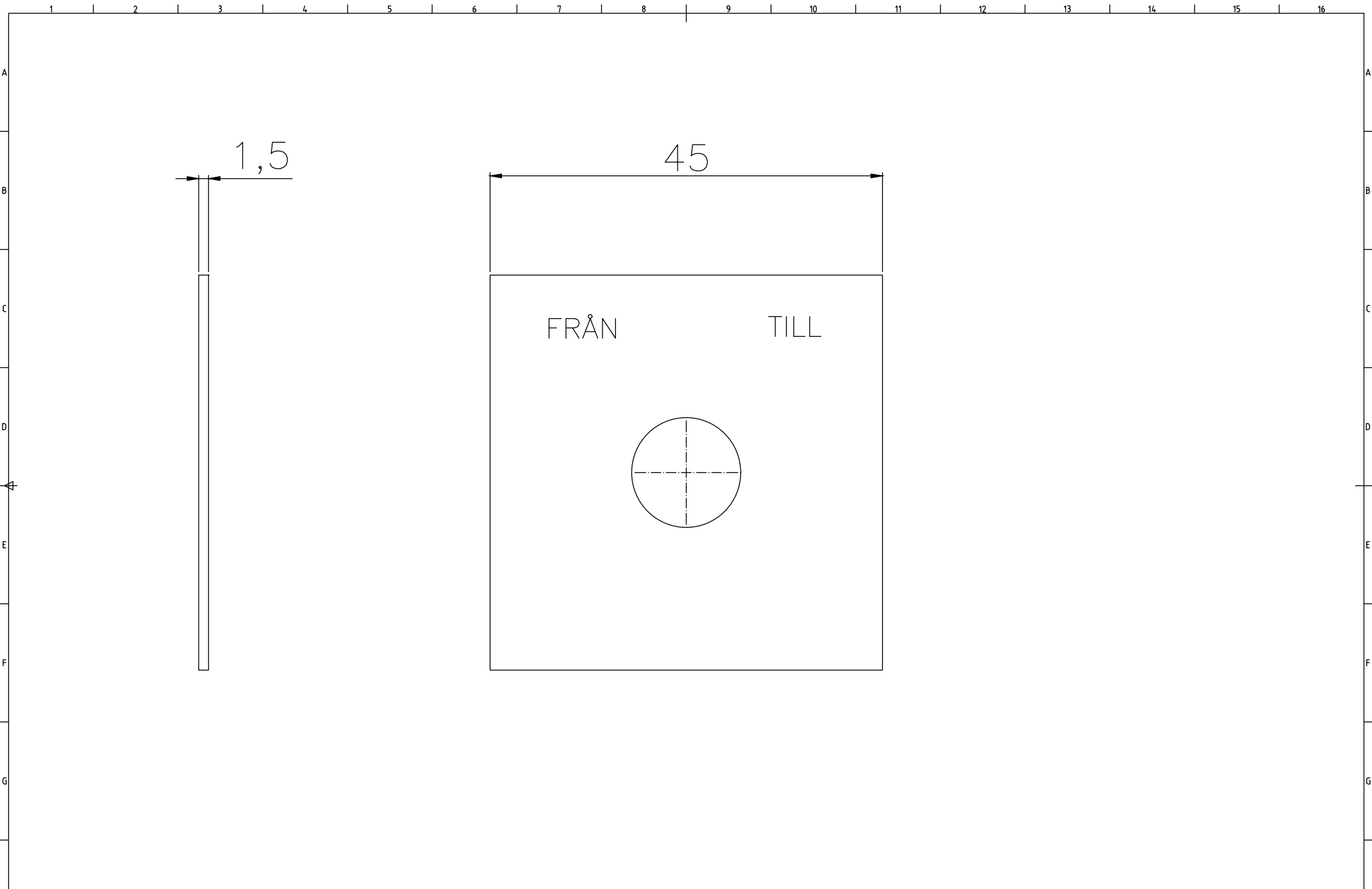


All technical informations contained in this document is the exclusive property of COMELETTRIC and may neither be used nor disclosed without its consent.

Drawn EL	Sheet 1/1	Approved by - Date EL/06/07/17
Checked EL	Scale 1:1	Rev. N° A

Escutcheon plate

Type:	NAMEPLATE 507281
Code:	1071M-21221



All technical informations contained in this document is the exclusive property of COMELSTRIC and may neither be used nor disclosed without its consent.

Drawn EL	Sheet 1/1
Checked EL	Scale 1:1

Approved by - Date EL/06/07/17
Rev. N° A

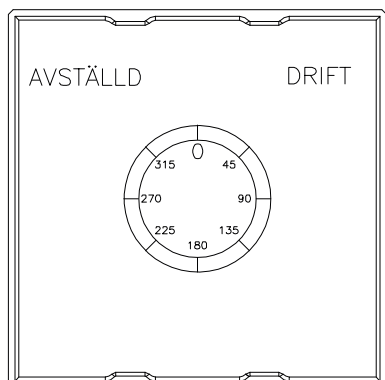
Escutcheon plate

Type:	NAMEPLATE - 507327
Code:	1071M-21272

Avställningsenheter

2-läges - 48x48 mm

AVSTÄLLD//DRIFT ”2 kontakter i avställt läge”



PACCHI Packets	1	2	3	4
MORSETTI Contacts	1 3 5 7 9 11 13 15			
DICITURE Engravings	2 4 6 8 10 12 14 16			
AVSTÄLLD				
DRIFT				

Tillquist Art nr: 507239
Modell: R16 2/3 (4NC.2NO)

Tillquist Art nr: 507240
Modell: R16 2/4 (6NC.2NO)

Tillquist Art nr: 507241
Modell: R16 2/5 (8NC.2NO)

Tillquist Art nr: 507242
Modell: R16 2/6 (10NC.2NO)

Tillquist Art nr: 507243
Modell: R16 2/7 (12NC.2NO)

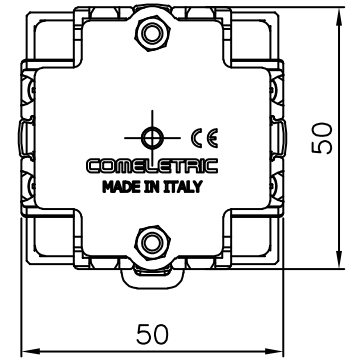
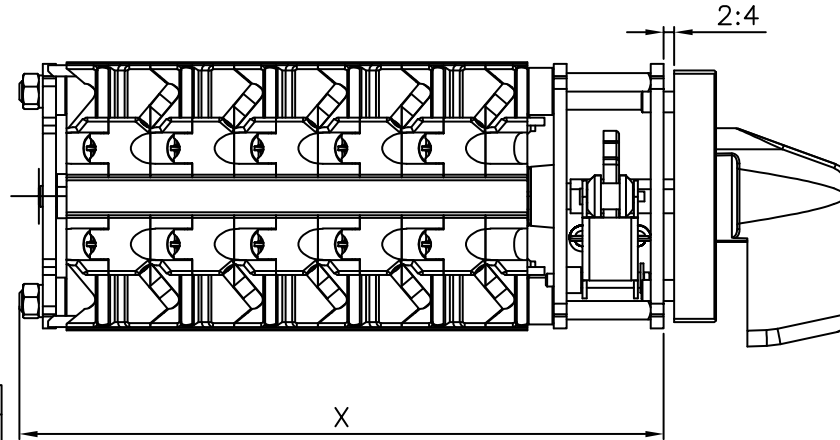
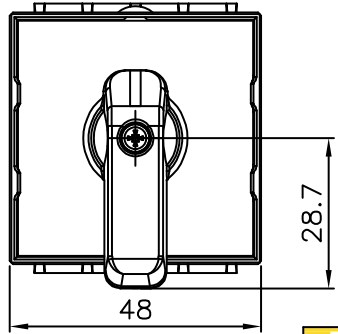
Tillquist Art nr: 507244
Modell: R16 2/8 (14NC.2NO)

Tillquist Art nr: 507245
Modell: R16 2/9 (16NC.2NO)

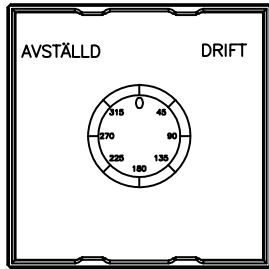
Tillquist Art nr: 507246
Modell: R16 2/11 (20NC.2NO)

Tillquist Art nr: 507247
Modell: R16 2/13 (24NC.2NO)

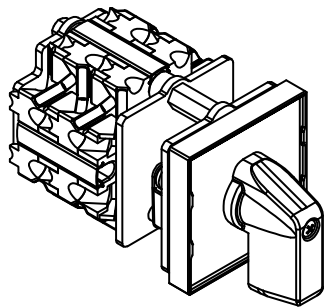
Tillquist Art nr: 507336
Modell: R16 2/16 (30NC.2NO)



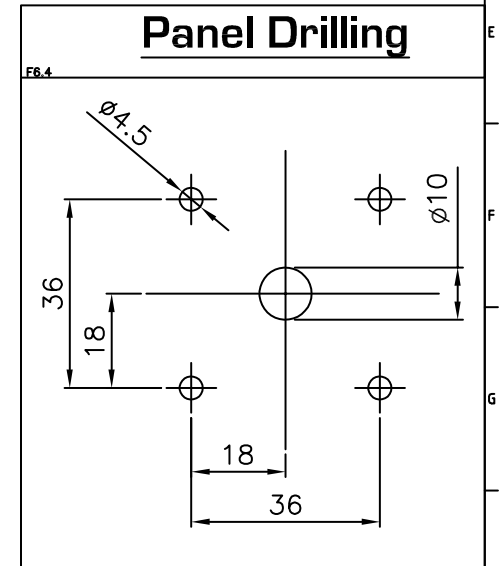
HANDLE	BLACK
FRONTPLATE	SILVER
HOLDER	BLACK
TEXT	BLACK



N° PACCHI N° PACKETS	1	2	3	4	5	6	7	8	9	10	11	12	13	14	15	16	17	18	19	20
X= LUNGH. mm Lenght mm.	51	59	67	75	83	91	99	107	115	123	131	139	147	155	163	171	179	187	195	203



Legend Symbols		POSIZIONI Positions	PACCHI Packets		
	RITORNO AUTOMATICO Spring return		MORSETTI Contacts	1	2
	CONTATTO CHIUSO Closed contact	1 3 5 7 9 11			
	CHIUSO SENZA INTERRUZIONE Closed without current breaking	DICITURE Engravings	2 4 6 8 10 12		
TITLE					
1	AVSTÄLLD				
2	DRIFT				

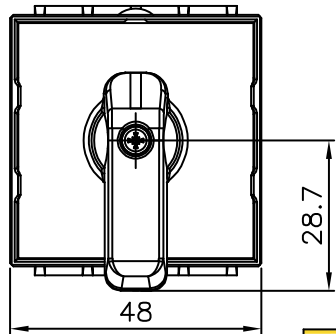


All technical informations contained in this document is the exclusive property of COMELETTRIC and may neither be used nor disclosed without its consent.

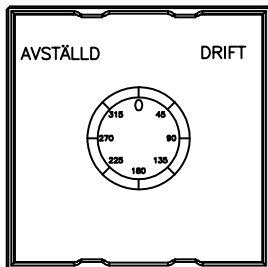
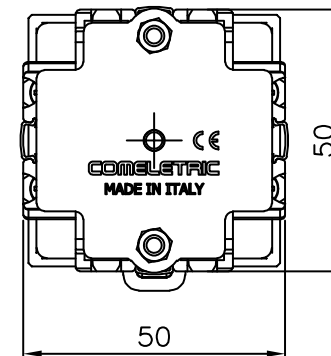
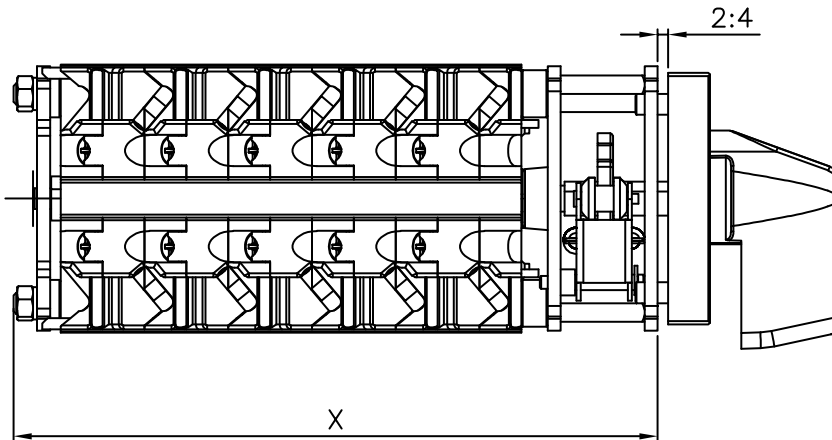
Drawn FR	Sheet 1/3	Approved by - Date FR
Checked FR	Scale 1:1	Rev. N° 0

Escutcheon plate
48-21100

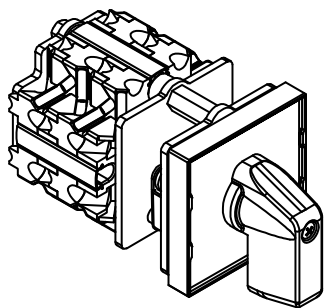
Type: R16 2/3 - 507239
Code: R601 SE203 153-W006



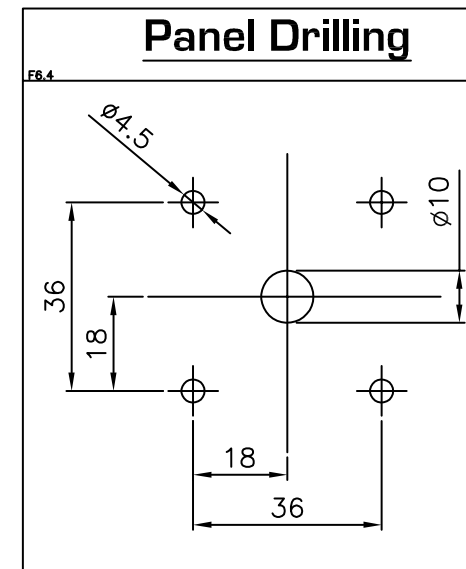
HANDLE	BLACK
FRONTPLATE	SILVER
HOLDER	BLACK
TEXT	BLACK



N° PACCHI N° PACKETS	1	2	3	4	5	6	7	8	9	10	11	12	13	14	15	16	17	18	19	20
X= LUNGH. mm Length mm.	51	59	67	75	83	91	99	107	115	123	131	139	147	155	163	171	179	187	195	203



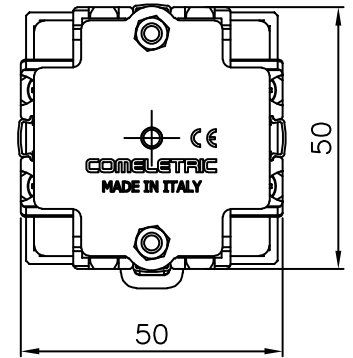
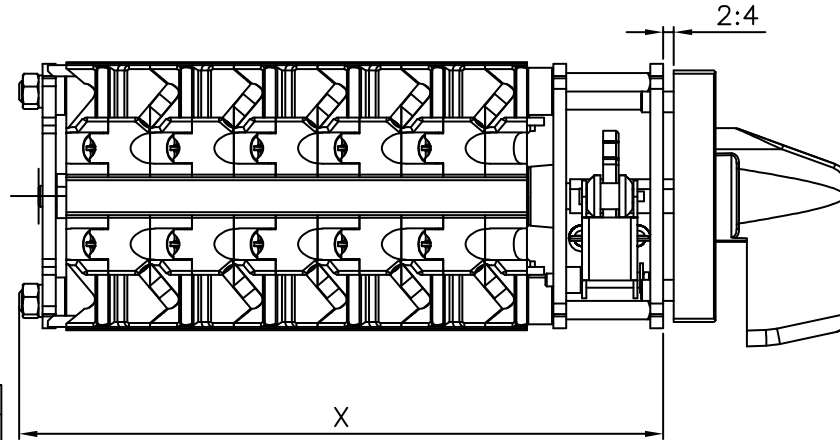
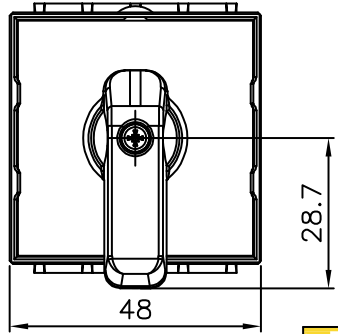
Legend Symbols		POSIZIONI Positions	PACCHI Packets				
	RITORNO AUTOMATICO Spring return		MORSETTI Contacts	1	2	3	4
	CONTATTO CHIUSO Closed contact			1 3 5 7 9 11 13 15			
	CHIUSO SENZA INTERRUZIONE Closed without current breaking	DICITURE Engravings	2 4 6 8 10 12 14 16				
TITLE							
1		AVSTÄLLD					
2		DRIFT					



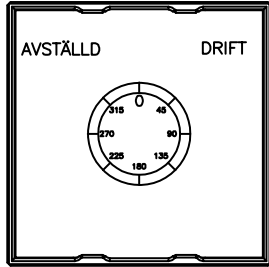
All technical informations contained in this document is the exclusive property of COMLETRIC and may neither be used nor disclosed without its consent.

Drawn FR	Sheet 1/3	Approved by - Date FR	Escutcheon plate 48-
Checked FR	Scale 1:1	Rev. N° 0	

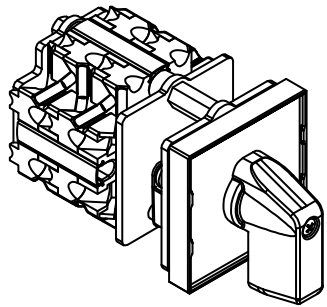
Type: R16 2/4 - 507240
Code: R601 SE204 153-W006



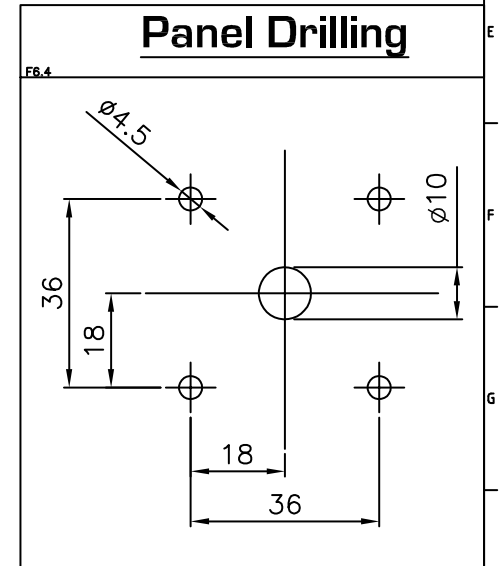
HANDLE	BLACK
FRONTPLATE	SILVER
HOLDER	BLACK
TEXT	BLACK



N° PACCHI N° PACKETS	1	2	3	4	5	6	7	8	9	10	11	12	13	14	15	16	17	18	19	20
X= LUNGH. mm Lenght mm.	51	59	67	75	83	91	99	107	115	123	131	139	147	155	163	171	179	187	195	203



Legend Symbols		POSIZIONI Positions	PACCHI Packets																	
	RITORNO AUTOMATICO Spring return		MORSETTI Contacts	1	2	3	4	5												
	CONTATTO CHIUSO Closed contact			1 3 5 7 9 11 13 15 17 19																
	CHIUSO SENZA INTERRUZIONE Closed without current breaking	DICITURE Engravings	2 4 6 8 10 12 14 16 18 20																	
TITLE																				
1		AVSTÄLLD																		
2		DRIFT																		

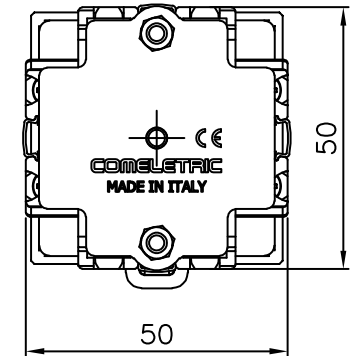
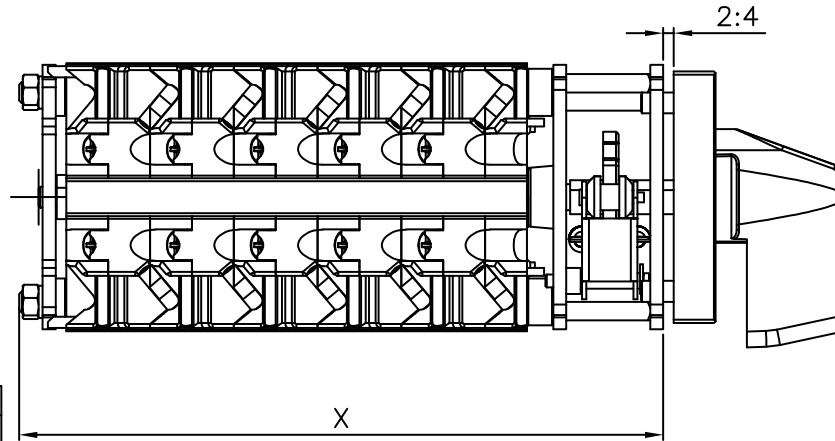
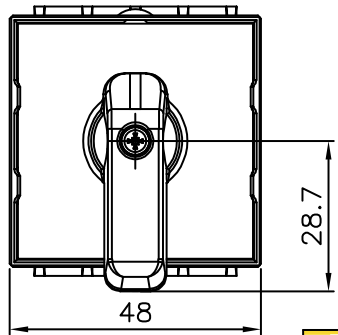


All technical informations contained in this document is the exclusive property of COMELETTRIC and may neither be used nor disclosed without its consent.

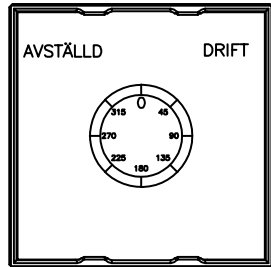
Drawn FR	Sheet 1/3	Approved by - Date FR
Checked FR	Scale 1:1	Rev. N° 0

Escutcheon plate
48-21100

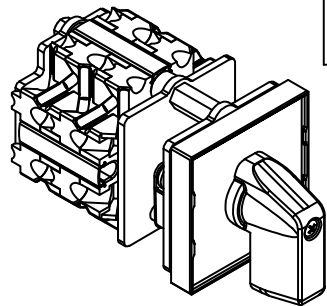
Type: R16 2/5 - 507241
Code: R601 SE205 153-W006



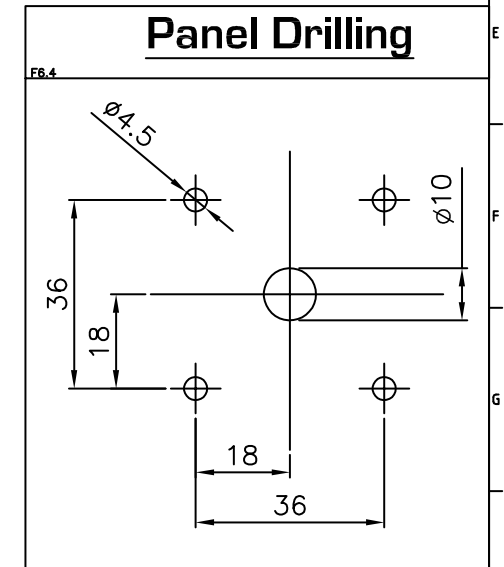
HANDLE	BLACK
FRONTPLATE	SILVER
HOLDER	BLACK
TEXT	BLACK



N° PACCHI N° PACKETS	1	2	3	4	5	6	7	8	9	10	11	12	13	14	15	16	17	18	19	20
X= LUNGH. mm Lenght mm.	51	59	67	75	83	91	99	107	115	123	131	139	147	155	163	171	179	187	195	203



Legend Symbols		POSIZIONI Positions	PACCHI Packets																			
	RITORNO AUTOMATICO Spring return		MORSETTI Contacts	1	2	3	4	5	6													
	CONTATTO CHIUSO Closed contact			1	3	5	7	9	11	13	15	17	19	21	23							
	CHIUSO SENZA INTERRUZIONE Closed without current breaking	DICITURE Engravings	2	4	6	8	10	12	14	16	18	20	22	24								
TITLE																						
1		AVSTÄLLD																				
2		DRIFT																				

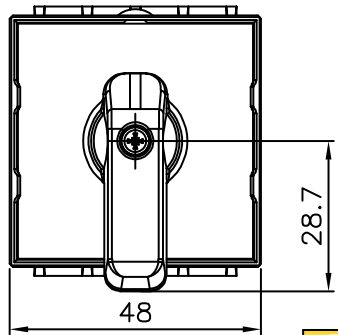


All technical informations contained in this document is the exclusive property of COMELETTRIC and may neither be used nor disclosed without its consent.

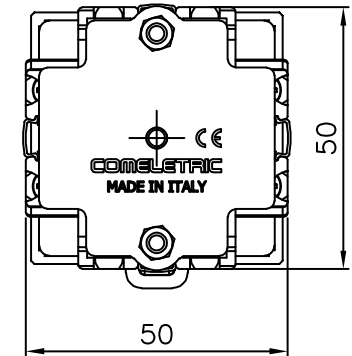
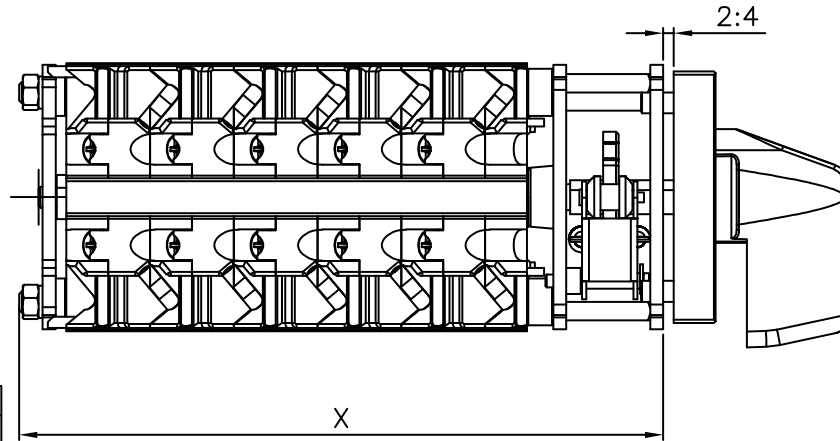
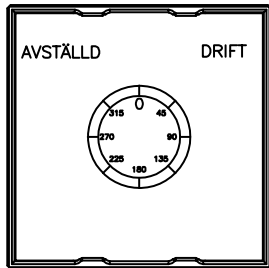
Drawn FR	Sheet 1/3	Approved by - Date FR
Checked FR	Scale 1:1	Rev. N° 0

Escutcheon plate
48-21100

Type:	R16 2/6 - 507242
Code:	R601 SE206 153-W006

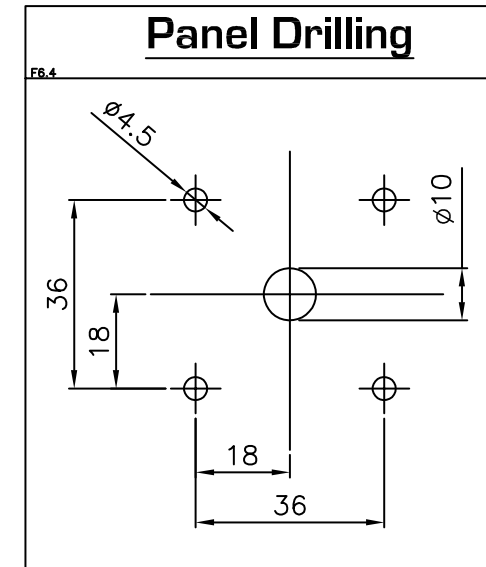
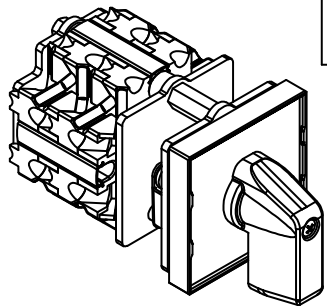


HANDLE	BLACK
FRONTPLATE	SILVER
HOLDER	BLACK
TEXT	BLACK



N° PACCHI N° PACKETS	1	2	3	4	5	6	7	8	9	10	11	12	13	14	15	16	17	18	19	20
X= LUNGH. mm Lenght mm.	51	59	67	75	83	91	99	107	115	123	131	139	147	155	163	171	179	187	195	203

Legend Symbols		PACCHI Packets	1	2	3	4	5	6	7												
	RITORNO AUTOMATICO Spring return		MORSETTI Contacts	1	3	5	7	9	11	13	15	17	19	21	23	25	27				
	CONTATTO CHIUSO Closed contact																				
	CHIUSO SENZA INTERRUZIONE Closed without current breaking	DICITURE Engravings	2	4	6	8	10	12	14	16	18	20	22	24	26	28					
TITOLI																					
1		AVSTÄLLD																			
2		DRIFT																			

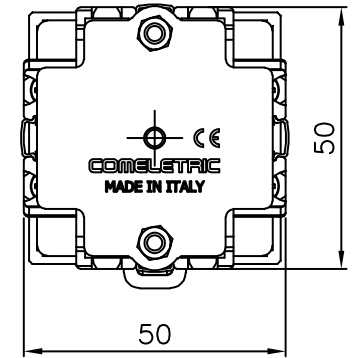
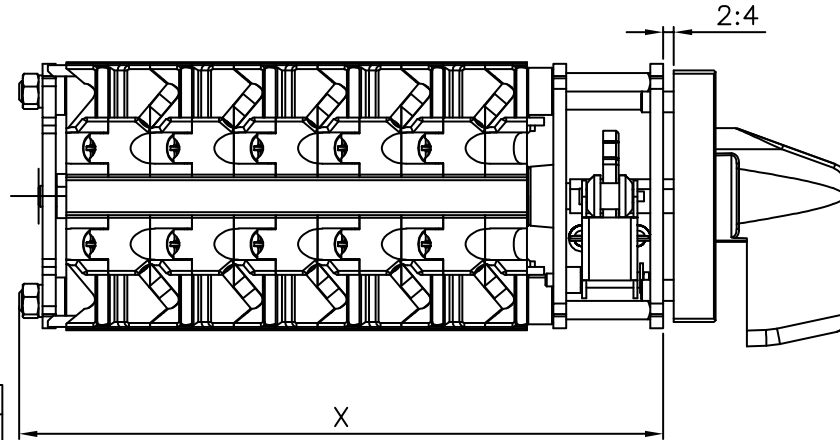
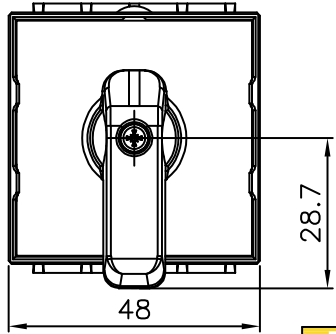


All technical informations contained in this document is the exclusive property of COMELETTRIC and may neither be used nor disclosed without its consent.

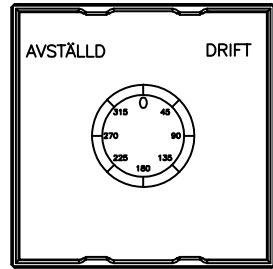
Drawn FR	Sheet 1/3	Approved by - Date FR
Checked FR	Scale 1:1	Rev. N° 0

Escutcheon plate
48-21100

Type: R16 2/7 - 507243
Code: R601 SE207 153-W006

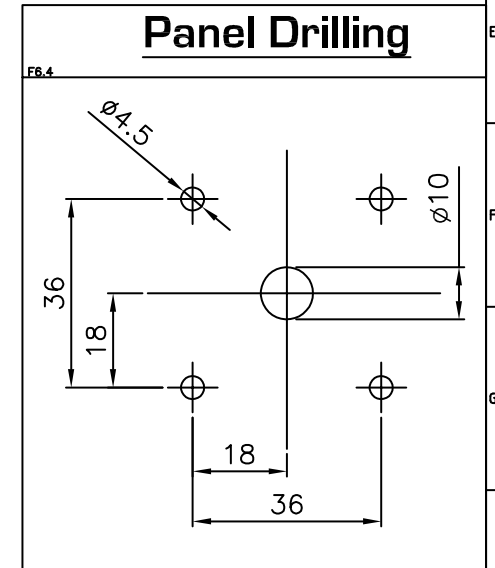
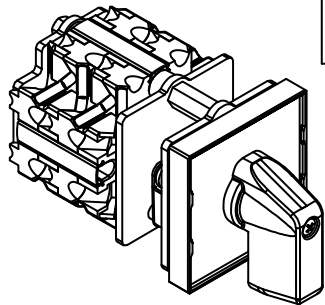


HANDLE	BLACK
FRONTPLATE	SILVER
HOLDER	BLACK
TEXT	BLACK



N° PACCHI N° PACKETS	1	2	3	4	5	6	7	8	9	10	11	12	13	14	15	16	17	18	19	20
X= LUNGH. mm Lenght mm.	51	59	67	75	83	91	99	107	115	123	131	139	147	155	163	171	179	187	195	203

Legend Symbols		POSIZIONI Positions	PACCHI Packets																	
	RITORNO AUTOMATICO Spring return		MORSETTI Contacts	1	2	3	4	5	6	7	8									
	CONTATTO CHIUSO Closed contact			1	3	5	7	9	11	13	15	17	19	21	23	25	27	29	31	
	CHIUSO SENZA INTERRUZIONE Closed without current breaking	DICITURE Engravings	2	4	6	8	10	12	14	16	18	20	22	24	26	28	30	32		
TITLE																				
1		AVSTÄLLD																		
2		DRIFT																		

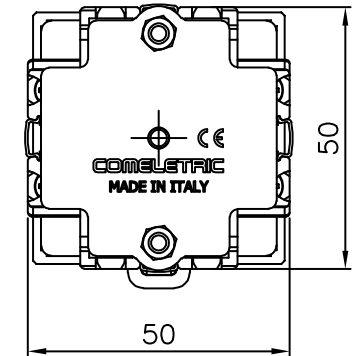
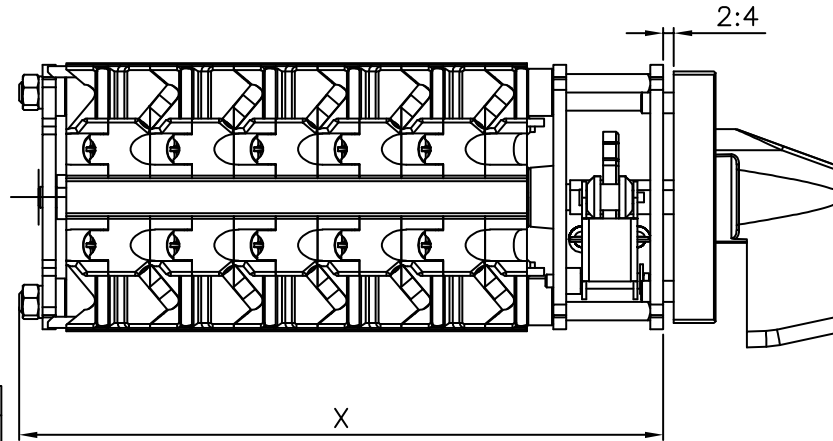
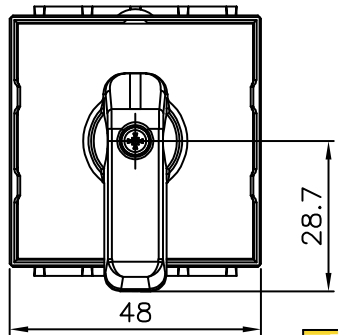


All technical informations contained in this document is the exclusive property of COMELETTRIC and may neither be used nor disclosed without its consent.

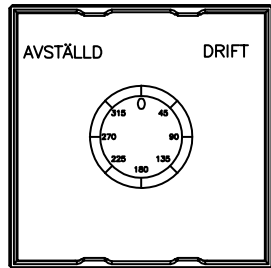
Drawn FR	Sheet 1/3	Approved by - Date FR
Checked FR	Scale 1:1	Rev. N° 0

Escutcheon plate
48-21100

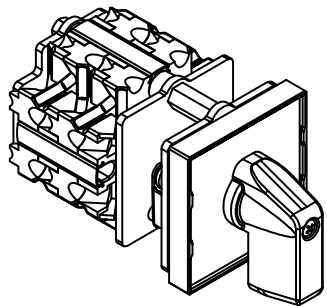
Type: R16 2/8 - 507244
Code: R601 SE208 153-W006



HANDLE	BLACK
FRONTPLATE	SILVER
HOLDER	BLACK
TEXT	BLACK

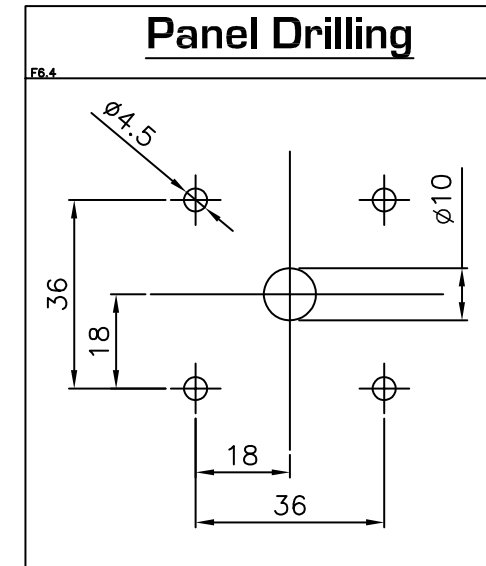


N° PACCHI N° PACKETS	1	2	3	4	5	6	7	8	9	10	11	12	13	14	15	16	17	18	19	20
X= LUNGH. mm Lenght mm.	51	59	67	75	83	91	99	107	115	123	131	139	147	155	163	171	179	187	195	203



Legend Symbols	
	RITORNO AUTOMATICO Spring return
	CONTATTO CHIUSO Closed contact
	CHIUSO SENZA INTERRUZIONE Closed without current breaking

		PACCHI Packets																			
POSIZIONI Positions	MORSETTI Contacts	1	3	5	7	9	11	13	15	17	19	21	23	25	27	29	31	33	35		
	DICITURE Engravings	2	4	6	8	10	12	14	16	18	20	22	24	26	28	30	32	34	36		
	TITLE																				
1	AVSTÄLLD																				
2	DRIFT																				

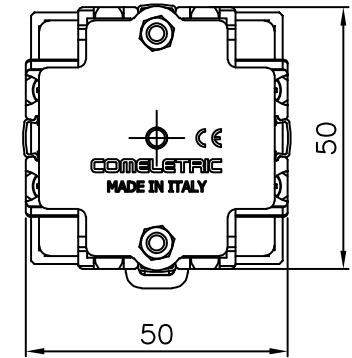
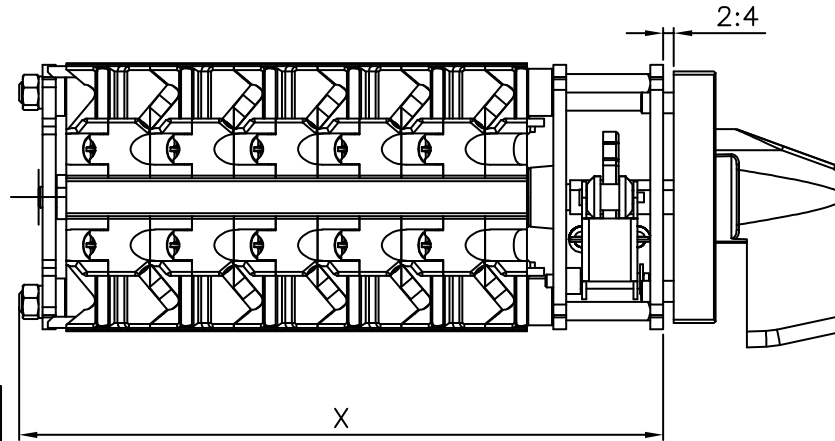
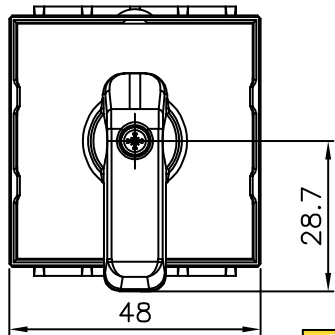


All technical informations contained in this document is the exclusive property of COMELETTRIC and may neither be used nor disclosed without its consent.

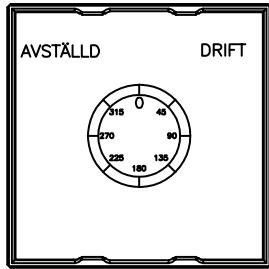
Drawn FR	Sheet 1/3	Approved by - Date FR
Checked FR	Scale 1:1	Rev. N° 0

Escutcheon plate	48-21100
------------------	----------

Type:	R16 2/9 - 507245
Code:	R601 SE209 153-W006



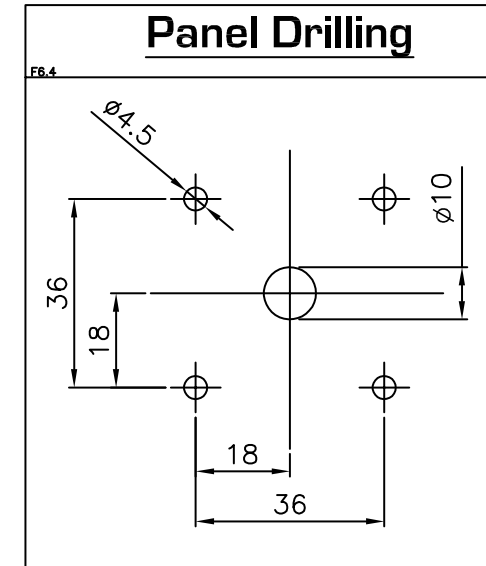
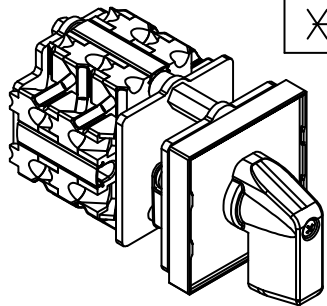
HANDLE	BLACK
FRONTPLATE	SILVER
HOLDER	BLACK
TEXT	BLACK



N° PACCHI N° PACKETS	1	2	3	4	5	6	7	8	9	10	11	12	13	14	15	16	17	18	19	20
X= LUNGH. mm Lenght mm.	51	59	67	75	83	91	99	107	115	123	131	139	147	155	163	171	179	187	195	203

PACCHI Packets	1	2	3	4	5	6	7	8	9	10	11
	MORSETTI Contacts	1 3 5 7 9 11 13 15 17 19 21 23 25 27 29 31 33 35 37 39 41 43									
DICITURE Engravings	2 4 6 8 10 12 14 16 18 20 22 24 26 28 30 32 34 36 38 40 42 44										
TITOLI Positions											
	1 AVSTÄLLD										
2 DRIFT	X										

Legend Symbols	
	RITORNO AUTOMATICO Spring return
	CONTATTO CHIUSO Closed contact
	CHIUSO SENZA INTERRUZIONE Closed without current breaking

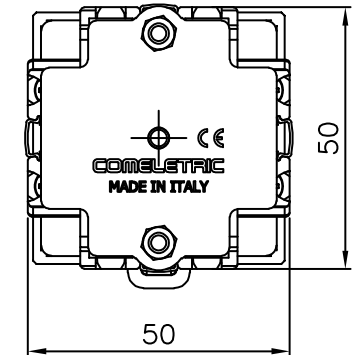
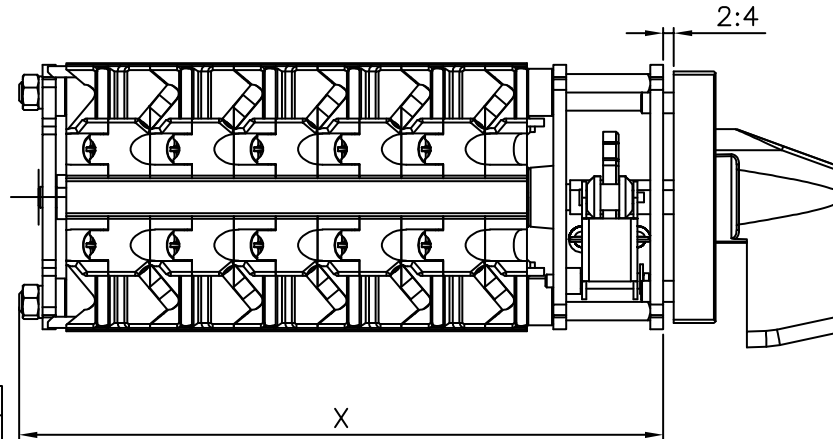
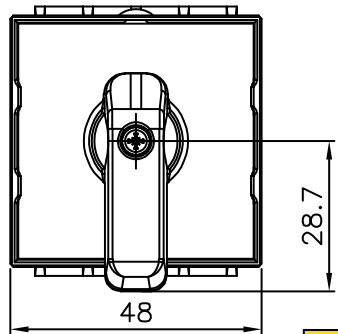


All technical informations contained in this document is the exclusive property of COMELETTRIC and may neither be used nor disclosed without its consent.

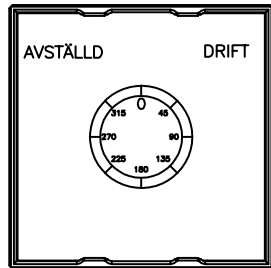
Drawn FR	Sheet 1/3	Approved by - Date FR
Checked FR	Scale 1:1	Rev. N° 0

Escutcheon plate
48-21100

Type: R16 2/11 - 507246
Code: R601 SE211 153-W006

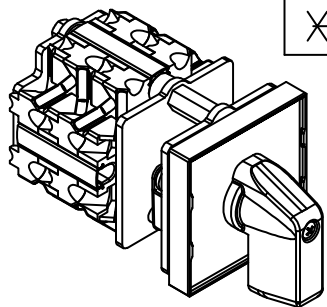
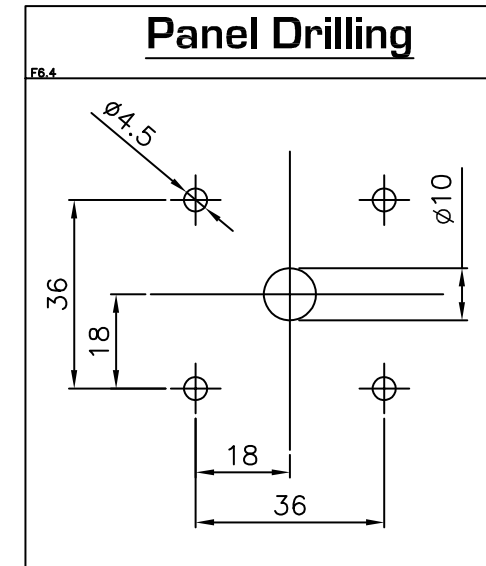


HANDLE	BLACK
FRONTPLATE	SILVER
HOLDER	BLACK
TEXT	BLACK



N° PACCHI N° PACKETS	1	2	3	4	5	6	7	8	9	10	11	12	13	14	15	16	17	18	19	20
X= LUNGH. mm Length mm.	51	59	67	75	83	91	99	107	115	123	131	139	147	155	163	171	179	187	195	203

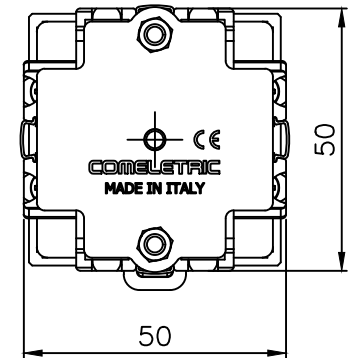
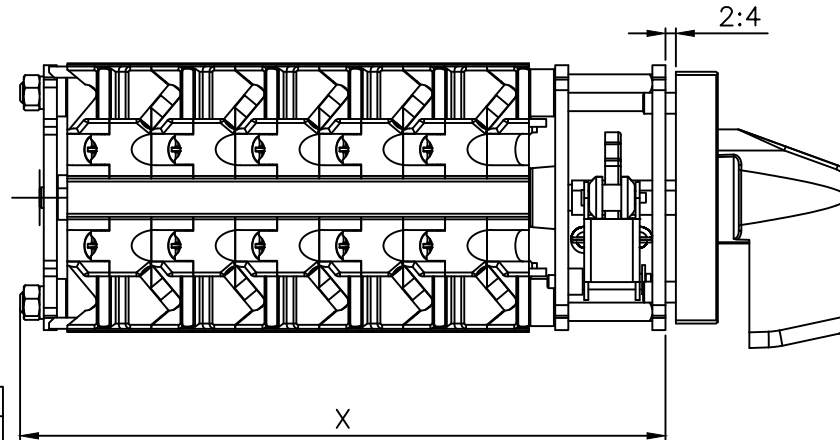
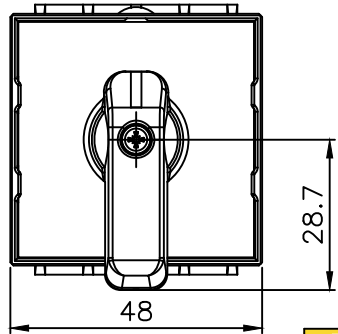
Legend Symbols		PACCHI Packets	1	2	3	4	5	6	7	8	9	10	11	12	13														
	RITORNO AUTOMATICO Spring return		MORSETTI Contacts	1	3	5	7	9	11	13	15	17	19	21	23	25	27	29	31	33	35	37	39	41	43	45	47	49	51
	CONTATTO CHIUSO Closed contact	DICITURE Engravings	2	4	6	8	10	12	14	16	18	20	22	24	26	28	30	32	34	36	38	40	42	44	46	48	50	52	
	CHIUSO SENZA INTERRUZIONE Closed without current breaking	TITLE																											
		1	AVSTÄLLD																										
		2	DRIFT																										



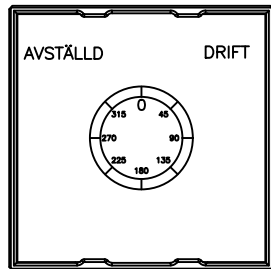
All technical informations contained in this document is the exclusive property of COMELETTRIC and may neither be used nor disclosed without its consent.

Drawn FR	Sheet 1/3	Approved by - Date FR	Escutcheon plate
Checked FR	Scale 1:1	Rev. N° 0	48-21100

Type:	R16 2/13 - 507247
Code:	R601 SE213 153-W006

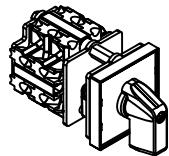
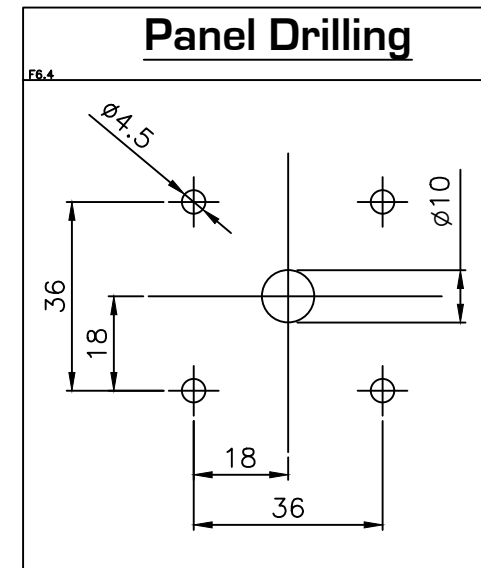


HANDLE	BLACK
FRONTPLATE	SILVER
HOLDER	BLACK
TEXT	BLACK



N° PACCHI N° PACKETS	1	2	3	4	5	6	7	8	9	10	11	12	13	14	15	16	17	18	19	20
X= LUNGH. mm Lenght mm.	51	59	67	75	83	91	99	107	115	123	131	139	147	155	163	171	179	187	195	203

Legend Symbols		POSIZIONI Positions	PACCHI Packets		1	2	3	4	5	6	7	8	9	10	11	12	13	14	15	16															
	RITORNO AUTOMATICO Spring return		MORSETTI Contacts	1	3	5	7	9	11	13	15	17	19	21	23	25	27	29	31	33	35	37	39	41	43	45	47	49	51	53	55	57	59	61	63
	CONTATTO CHIUSO Closed contact																																		
	CHIUSO SENZA INTERRUZIONE Closed without current breaking	DICITURE Engravings	2	4	6	8	10	12	14	16	18	20	22	24	26	28	30	32	34	36	38	40	42	44	46	48	50	52	54	56	58	60	62	64	
TITLE																																			
1		AVSTÄLLD																																	
2		DRIFT																																	



All technical informations contained in this document is the exclusive property of COMELETRIC and may neither be used nor disclosed without its consent.

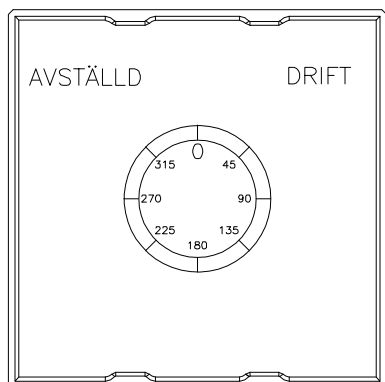
Drawn FR	Sheet 1/3	Approved by - Date FR	Escutcheon plate 48-21100
Checked FR	Scale 1:1	Rev. N° 0	

Type: R16 2/16 - 507336
Code: R601 SE216 153-W006

Avställningsenheter

2-läges - 48x48 mm

AVSTÄLLD//DRIFT ”3 kontakter i avställt läge”

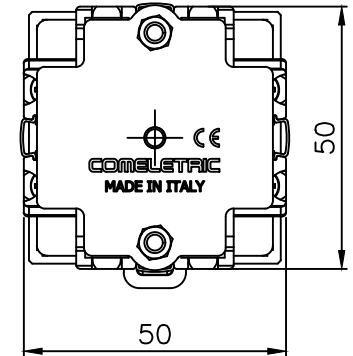
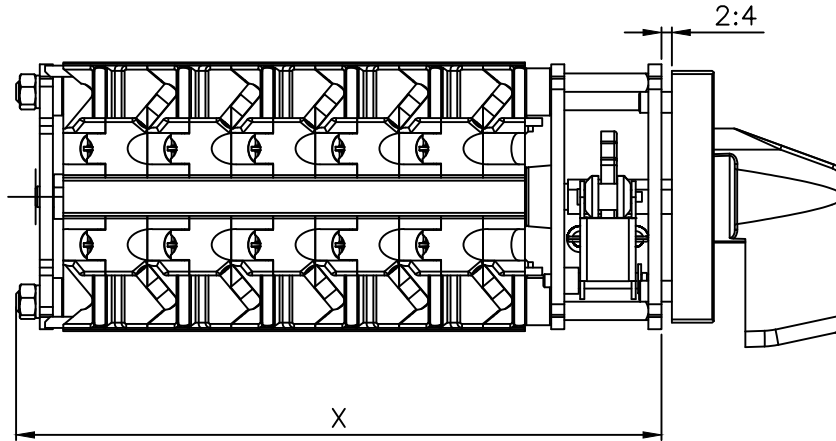
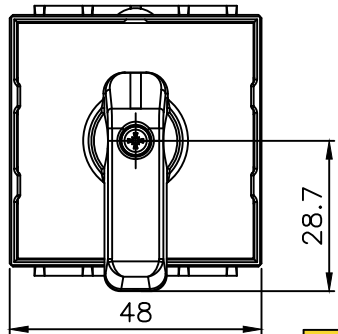


PACCHI Packets	1	2	3	4	5
MORSETTI Contacts	1 3 5 7 9 11 13 15 17 19				
DICITURE Engravings	2 4 6 8 10 12 14 16 18 20				
AVSTÄLLD					X X X
DRIFT	X X X	X X X	X X X	X X X	

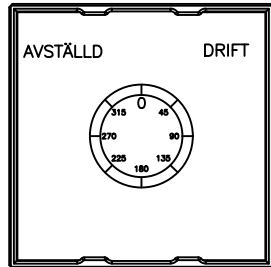
Tillquist Art nr: 507643
Modell: R16 2/5 (7NC.3NO)

Tillquist Art nr: 507644
Modell: R16 2/7 (11NC.3NO)

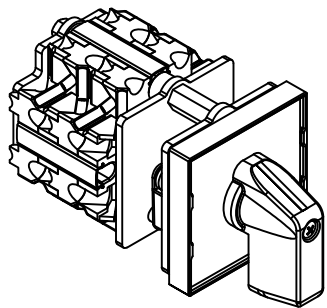
Tillquist Art nr: 507645
Modell: R16 2/9 (15NC.3NO)



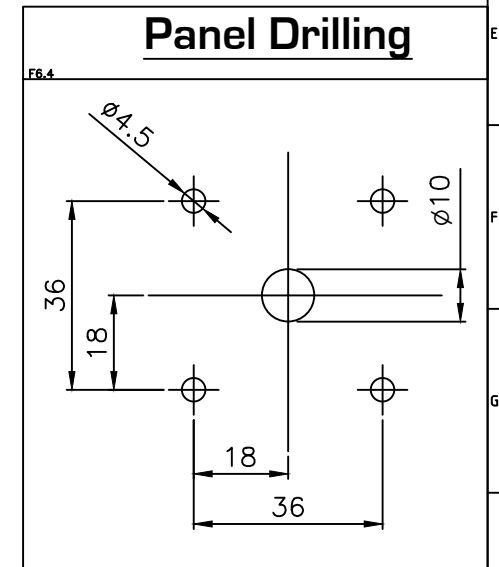
HANDLE	BLACK
FRONTPLATE	SILVER
HOLDER	BLACK
TEXT	BLACK



N° PACCHI N° PACKETS	1	2	3	4	5	6	7	8	9	10	11	12	13	14	15	16	17	18	19	20
X= LUNGH. mm Length mm.	51	59	67	75	83	91	99	107	115	123	131	139	147	155	163	171	179	187	195	203



Legend Symbols		POSIZIONI Positions	PACCHI Packets																	
	RITORNO AUTOMATICO Spring return		MORSETTI Contacts	1	2	3	4	5												
	CONTATTO CHIUSO Closed contact	1 3 5 7 9 11 13 15 17 19																		
	CHIUSO SENZA INTERRUZIONE Closed without current breaking	DICITURE Engravings	2 4 6 8 10 12 14 16 18 20																	
TITLE																				
1	AVSTÄLLD																			
2	DRIFT																			



All technical informations contained in this document is the exclusive property of COMELETTRIC and may neither be used nor disclosed without its consent.

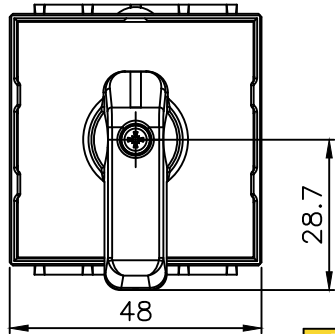
Drawn FR	Sheet 1/3	Approved by - Date FR
Checked FR	Scale 1:1	Rev. N° 0

Escutcheon plate
48-21100

Type:
Code:

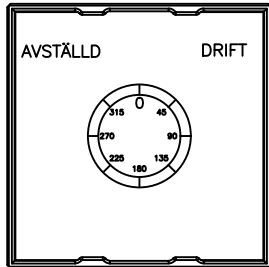
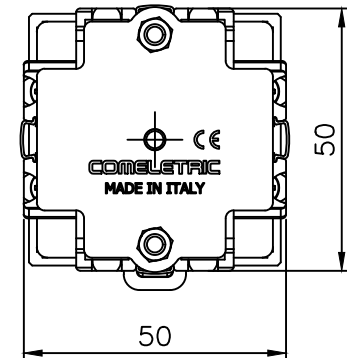
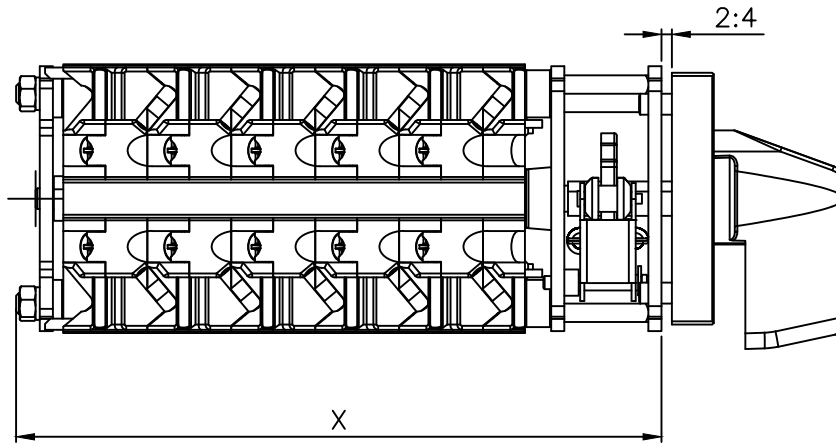
R16 2/5 - 507643

R601 SE205 209-W006



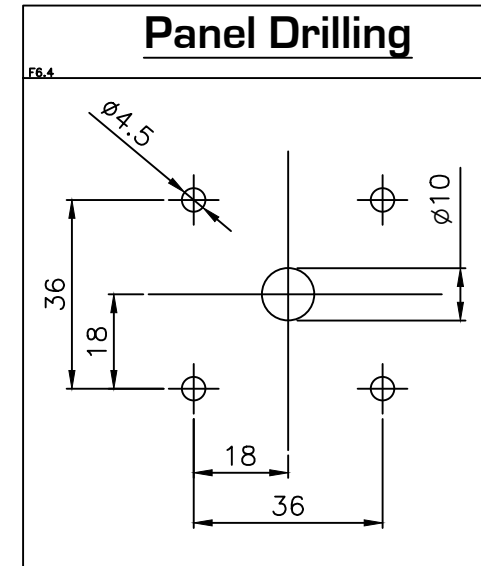
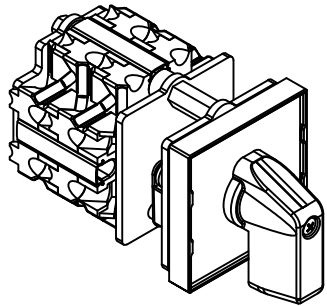
28.7

HANDLE	BLACK
FRONTPLATE	SILVER
HOLDER	BLACK
TEXT	BLACK



N° PACCHI N° PACKETS	1	2	3	4	5	6	7	8	9	10	11	12	13	14	15	16	17	18	19	20
X= LUNGH. mm Lenght mm.	51	59	67	75	83	91	99	107	115	123	131	139	147	155	163	171	179	187	195	203

Legend Symbols		POSIZIONI Positions	PACCHI Packets																			
	RITORNO AUTOMATICO Spring return		MORSETTI Contacts	1	2	3	4	5	6	7												
	CONTATTO CHIUSO Closed contact			1	3	5	7	9	11	13	15	17	19	21	23	25	27					
	CHIUSO SENZA INTERRUZIONE Closed without current breaking	DICITURE Engravings	2	4	6	8	10	12	14	16	18	20	22	24	26	28						
TITLE																						
1 AVSTÄLLD																						
2 DRIFT																						



All technical informations contained in this document is the exclusive property of COMELETRIC and may neither be used nor disclosed without its consent.

Drawn FR	Sheet 1/3	Approved by - Date FR
Checked FR	Scale 1:1	Rev. N° 0

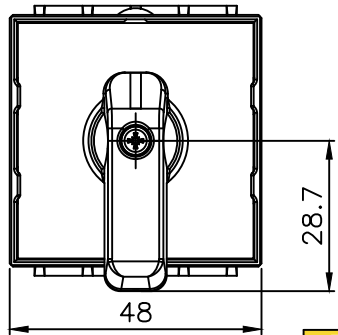
Escutcheon plate
48-21100

Type:

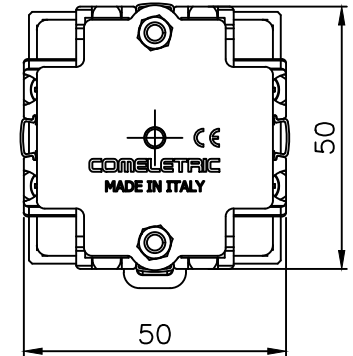
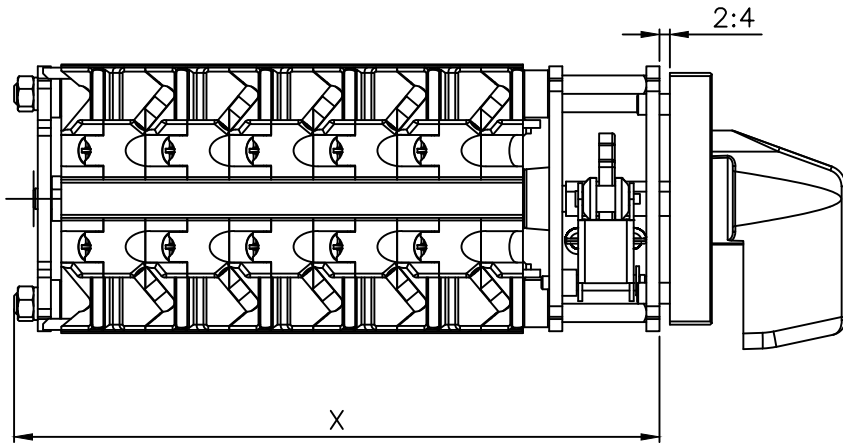
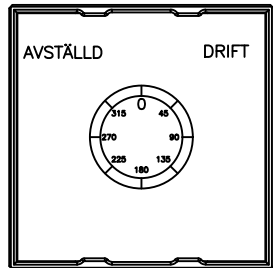
R16 2/7 - 507644

Code:

R601 SE207 204-W006

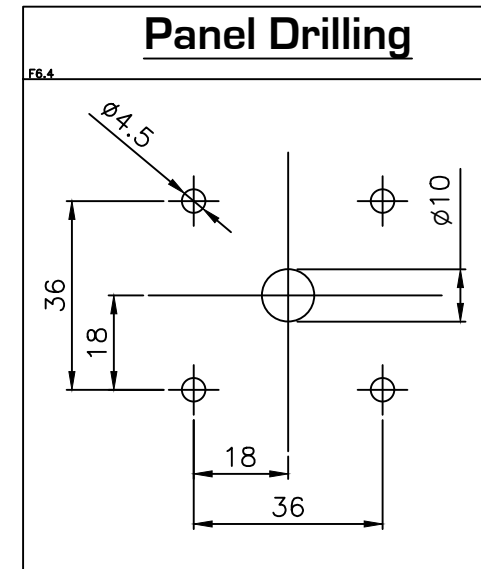
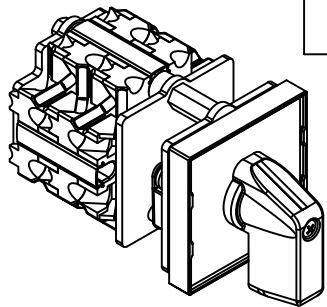


HANDLE	BLACK
FRONTPLATE	SILVER
HOLDER	BLACK
TEXT	BLACK



N° PACCHI N° PACKETS	1	2	3	4	5	6	7	8	9	10	11	12	13	14	15	16	17	18	19	20
X= LUNGH. mm Length mm.	51	59	67	75	83	91	99	107	115	123	131	139	147	155	163	171	179	187	195	203

Legend Symbols		POSIZIONI Positions	PACCHI Packets																		
	RITORNO AUTOMATICO Spring return		MORSETTI Contacts	1	3	5	7	9	11	13	15	17	19	21	23	25	27	29	31	33	35
	CONTATTO CHIUSO Closed contact																				
	CHIUSO SENZA INTERRUZIONE Closed without current breaking	DICITURE Engravings	2	4	6	8	10	12	14	16	18	20	22	24	26	28	30	32	34	36	
TITLE																					
1		AVSTÄLLD																			
2		DRIFT																			



All technical informations contained in this document is the exclusive property of COMELETTRIC and may neither be used nor disclosed without its consent.

Drawn FR	Sheet 1/3	Approved by - Date FR
Checked FR	Scale 1:1	Rev. N° 0

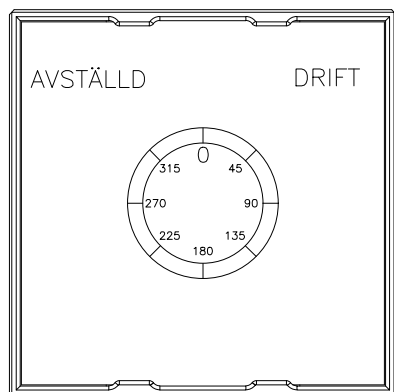
Escutcheon plate
48-21100

Type: R16 2/9 - 507645
Code: R601 SE209 209-W006

Avställningsenheter

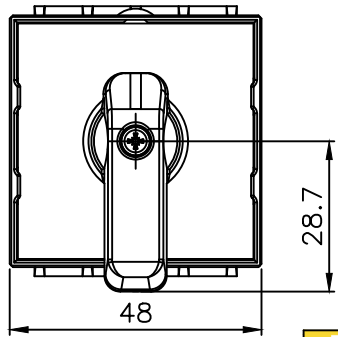
4-läges - 48x48 mm

AVSTÄLLD//DRIFT ”4 kontakter i avställt läge”

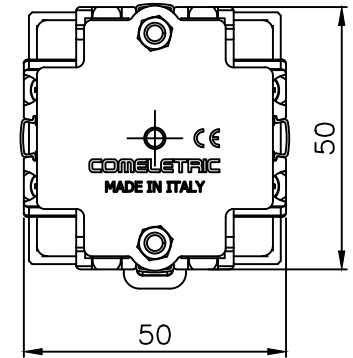
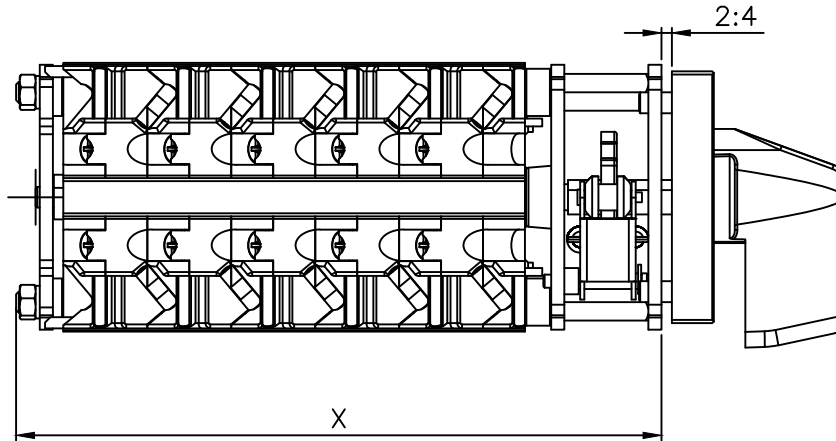
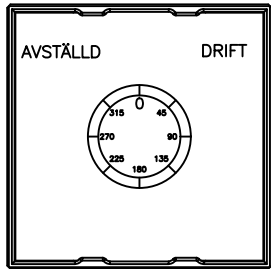


PACCHI Packets	1	2	3	4	5	6	7
MORSETTI Contacts	1 3 5 7 9 11 13 15 17 19 21 23 25 27						
DICITURE Engravings	2 4 6 8 10 12 14 16 18 20 22 24 26 28						
AVSTÄLLD						X	X
DRIFT	X	X	X	X	X		

Tillquist Art nr: 507558
 Modell: R16 2/7 (10NC.4NO)

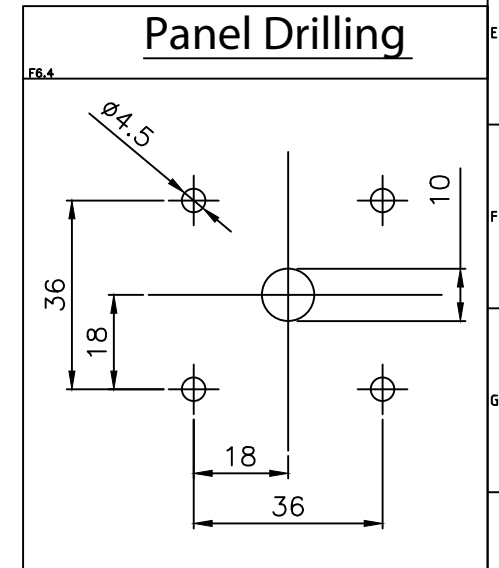
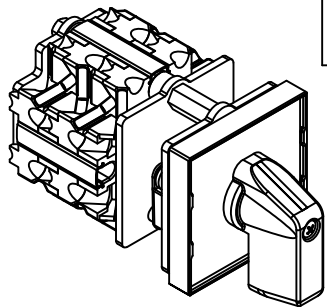


HANDLE	BLACK
FRONTPLATE	SILVER
HOLDER	BLACK
TEXT	BLACK



N° PACCHI N° PACKETS	1	2	3	4	5	6	7	8	9	10	11	12	13	14	15	16	17	18	19	20
X= LUNGH. mm Length mm.	51	59	67	75	83	91	99	107	115	123	131	139	147	155	163	171	179	187	195	203

Legend Symbols		POSIZIONI Positions	PACCHI Packets																			
	RITORNO AUTOMATICO Spring return		MORSETTI Contacts	1	2	3	4	5	6	7												
	CONTATTO CHIUSO Closed contact			1 3 5 7 9 11 13 15 17 19 21 23 25 27																		
	CHIUSO SENZA INTERRUZIONE Closed without current breaking	DICITURE Engravings	2 4 6 8 10 12 14 16 18 20 22 24 26 28																			
TITLE																						
1 AVSTÄLLD																						
2 DRIFT																						



All technical informations contained in this document is the exclusive property of COMELETTRIC and may neither be used nor disclosed without its consent.

Drawn EL	Sheet 1/3	Approved by - Date EL/25/09/233
Checked EL	Scale 1:1	Rev. N° A

Escutcheon plate
48-21100

Type: R16 2/7 - 507558
Code: R601 SE207 202-W006

Avställningsenheter

Tillbehör - 48x48 mm

Tillquist Art nr: 506030

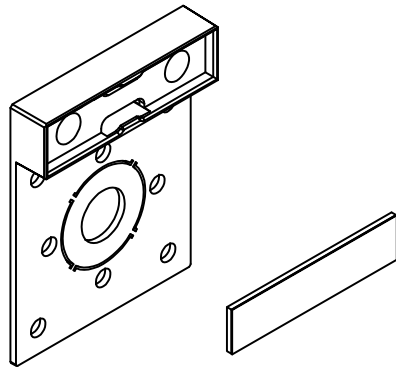
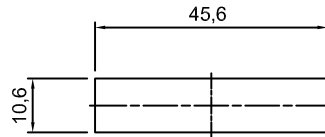
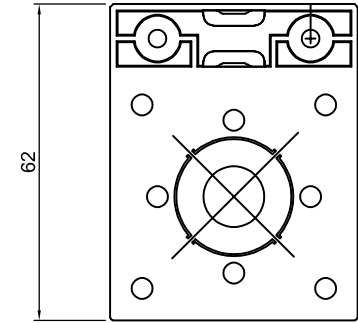
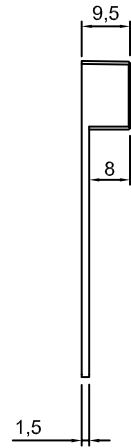
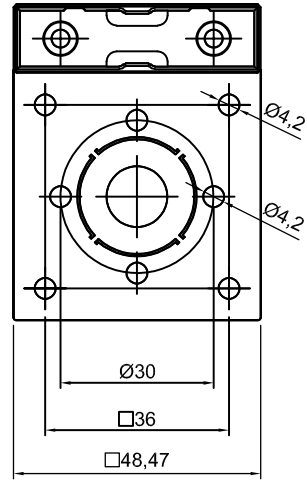
Skylthållare för 48x48

Ink. text: "AVSTÄLLNINGSENHET"

Tillquist Art nr: 506312

Skylthållare för 48x48

Ink. text: "UTLÖSNINGSAVSTÄLLARE"



AVSTÄLLNINGSENHET

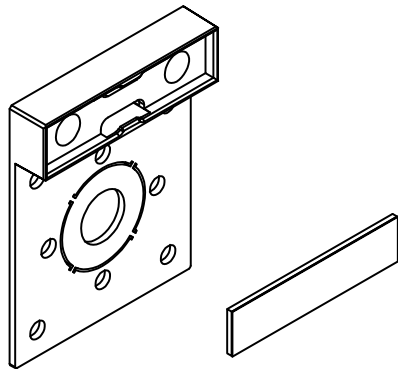
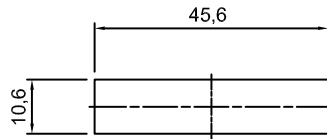
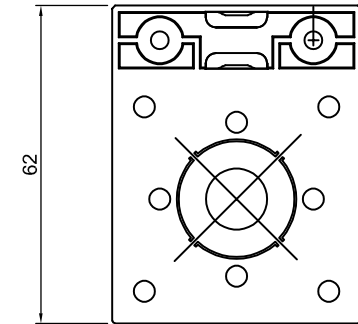
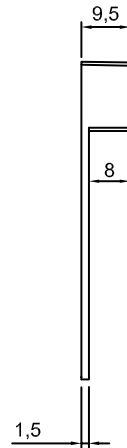
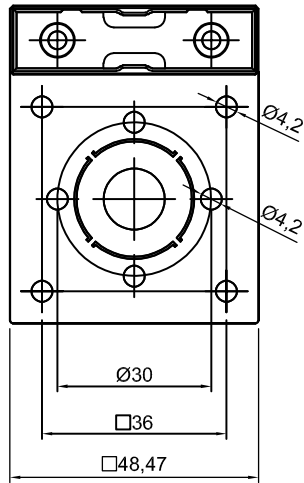


All technical informations contained in this document is the exclusive property of COMLETRIC and may neither be used nor disclosed without its consent.

Drawn FR	Sheet 1/1	Approved by - Date FR/18/11/16
Checked FR	Scale 1:1	Rev. N° A

Escutcheon plate

Type:	LEGEND LABEL SILVER 506030
Code:	TL48M-00224



UTLÖSNINGSAVSTÄLLARE



All technical informations contained in this document is the exclusive property of COMLETRIC and may neither be used nor disclosed without its consent.

Drawn EL	Sheet 1/1	Approved by - Date EL/05/03/2020
Checked EL	Scale 1:1	Rev. N° A

Escutcheon plate

Type:

LEGEND LABEL 506312

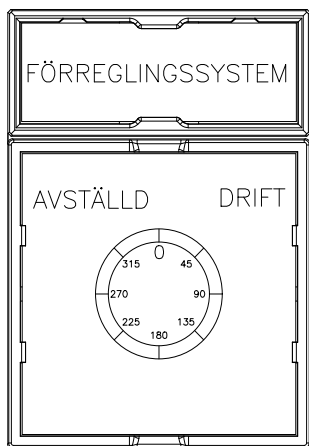
Code:

TL48M-00252

Förregling med nyckel

2-läges - 30x30 mm

AVSTÄLLD//DRIFT

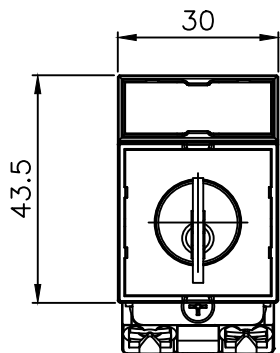


PACCHI Packets	1	2		
MORSETTI Contacts	1	3	5	7
DICITURE Engravings	2	4	6	8
AVSTÄLLD	X	X	X	X
DRIFT				

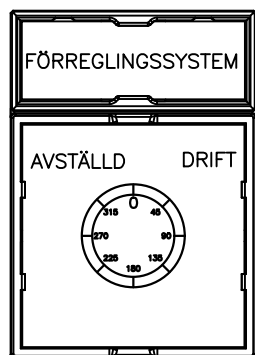
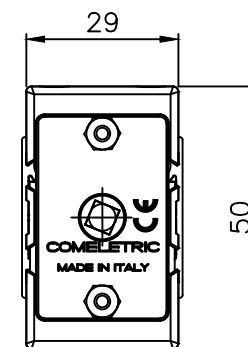
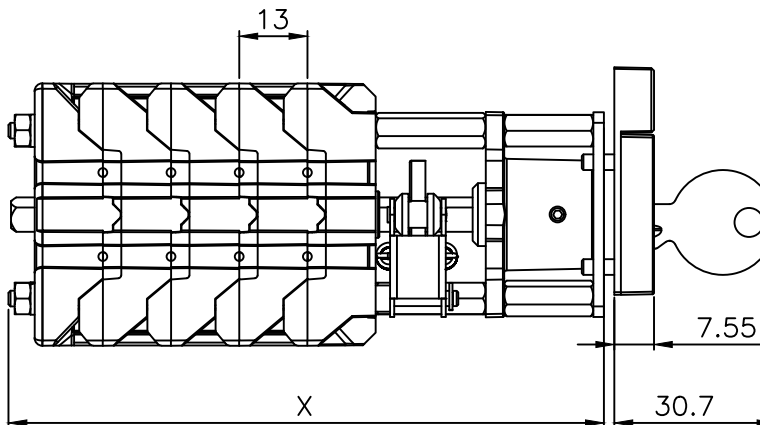
Separerad kontakt

Tillquist Art nr: 507572

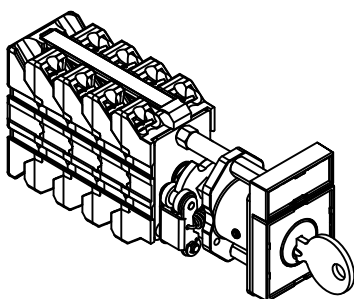
Modell: R8 2/2 4 NC "Separerad kontakt"



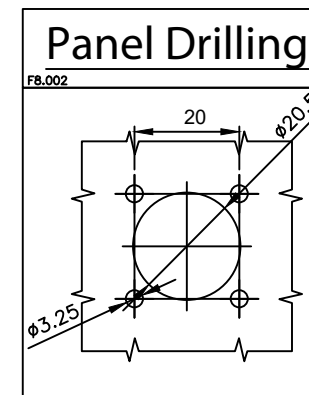
G012	
HANDLE	NA
FRONTPLATE	SILVER
HOLDER	BLACK
TEXT	BLACK



N° PACCHI	1	2	3	4	5	6	7	8	9	10	11	12
N° PACKETS												
X= LUNGH. mm Length mm.	75	88	101	114	127	140	153	166	179	192	205	218



Legend Symbols		POSIZIONI Positions	PACCHI Packets	
	ESTRAZIONE DELLA CHIAVE Key removable in pos.		1	2
	RITORNO AUTOMATICO Spring return		MORSETTI Contacts	1 3 5 7
	CONTATTO CHIUSO Closed contact			
	CHIUSO SENZA INTERRUZIONE Closed without current breaking	DICITURE Engravings	2 4 6 8	
	TITLE			
X	1	AVSTÄLLD		
	2	DRIFT		



All technical informations contained in this document is the exclusive property of COMELETTRIC and may neither be used nor disclosed without its consent.

Drawn FR	Sheet 1/3	Approved by - Date FR
Checked FR	Scale 1:1	Rev. N° 0

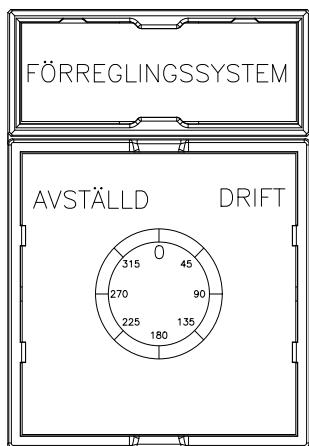
Escutcheon plate
30-21100T308

Type: R8 2/2 KO - 507572
Code: R802 SE202 154 16-G012

Förregling med nyckel

2-läges - 48x48 mm

AVSTÄLLD//DRIFT



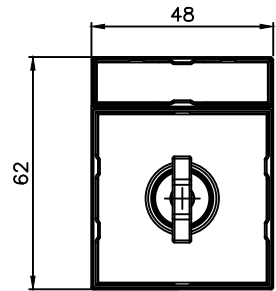
PACCHI Packets	1	2		
MORSETTI Contacts	1	3	5	7
DICITURE Engravings	2	4	6	8
AVSTÄLLD	X	X	X	X
DRIFT				

Separerad kontakt

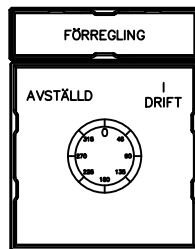
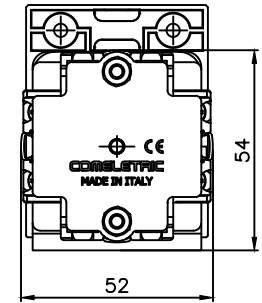
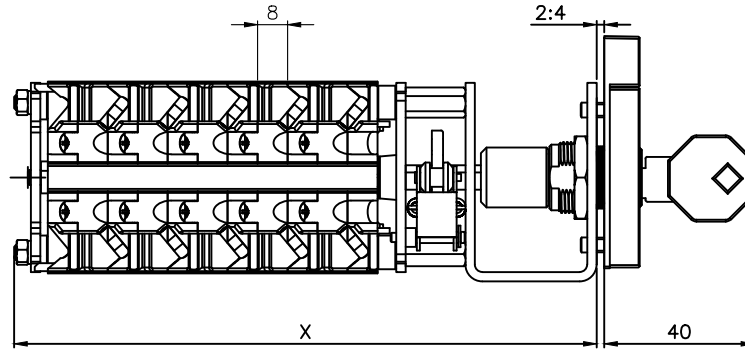
Tillquist Art nr: 507651

Modell: R16 2/6 (11NC.1NO) ”Separerad kontakt”

INGOMBRI/Dimensions



K018	
HANDLE	NA
FRONTPLATE	SILVER
HOLDER	BLACK
TEXT	BLACK

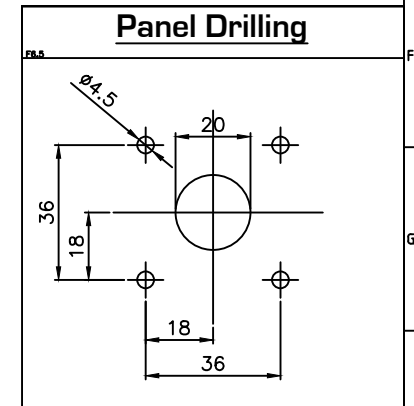
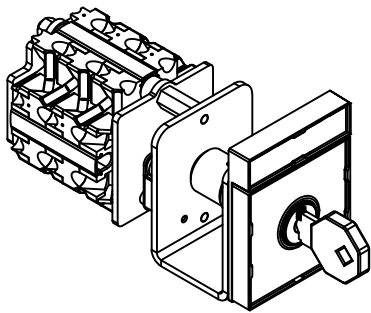


N° PACCHI N° PACKETS	1	2	3	4	5	6	7	8	9	10	11	12	13	14	15
X= LUNGH. mm Lenght mm.	83	91	99	107	115	123	131	139	147	155	163	171	179	187	195

Reference Key	
All Equal	X
All Different	
Master Key	
Group Key	

Legend Symbols	
	ESTRAZIONE DELLA CHIAVE Key removable in pos.
	RITORNO AUTOMATICO Spring return
	CONTATTO CHIUSO Closed contact
	CHIUSO SENZA INTERRUZIONE Closed without current breaking

PACCHI Packets	1	2	3	4	5	6
	MORSETTI Contacts	1 3 5 7 9 11 13 15 17 19 21 23				
DICITURE Engravings	2 4 6 8 10 12 14 16 18 20 22 24					
POSIZIONI Positions						
TITLE						
X 1	AVSTÄLLD	X	X	X	X	X
X 2	I DRIFT					



All technical informations contained in this document is the exclusive property of COMELTRIC and may neither be used nor disclosed without its consent.

Drawn FR	Sheet 1/3	Approved by - Date FR
Checked FR	Scale 1:1	Rev. N° 0

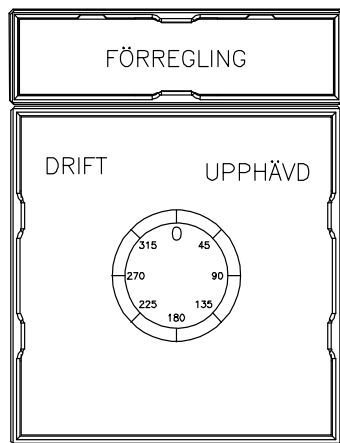
Escutcheon plate
48-21405T211

Type: R16 2/6 KO - 507651
Code: R602 SE206 209 07-K018

Förregling med nyckel

2-läges - 48x48 mm

DRIFT//UPPHÄVD

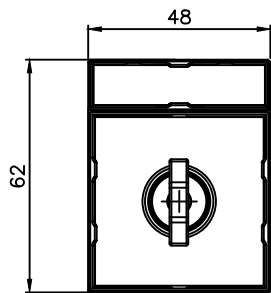


PACCHI Packets	1	2	3	4	5
MORSETTI Contacts	1 3 5 7 9 11 13 15 17 19				
DICITURE Engravings	2 6 10 14 18				
DRIFT	X	X	X	X	X
UPPHÄVD	X	X	X	X	X

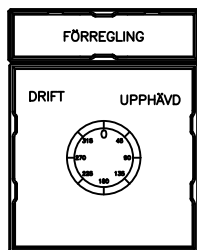
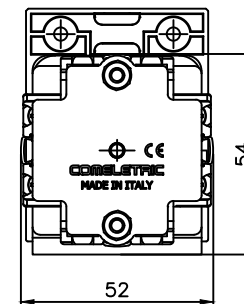
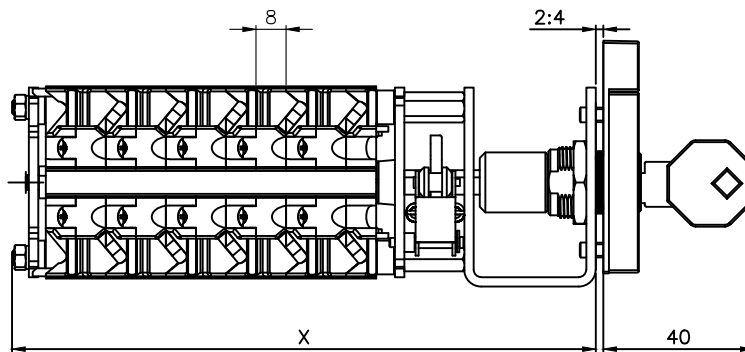
Gemensam kontakt

Tillquist Art nr: 506150

Modell: R16 2/5, (5NC.5NO) ”Gemensam kontakt”



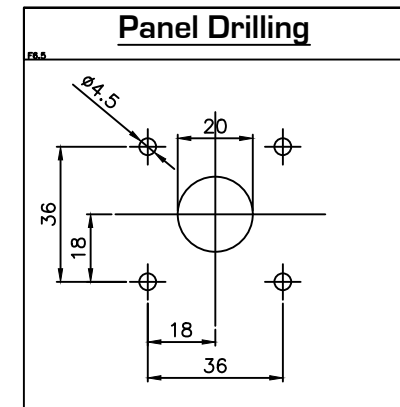
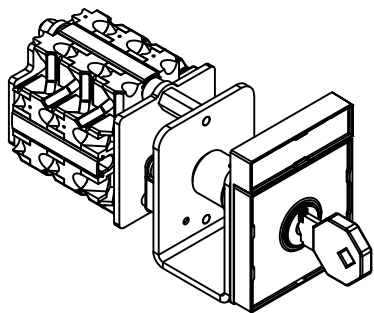
K018	
HANDLE	NA
FRONTPLATE	SILVER
HOLDER	BLACK
TEXT	BLACK



N° PACCHI N° PACKETS	1	2	3	4	5	6	7	8	9	10	11	12	13	14	15
X= LUNGH. mm Length mm.	83	91	99	107	115	123	131	139	147	155	163	171	179	187	195

Reference Key	
All Equal	<input checked="" type="checkbox"/>
All Different	<input type="checkbox"/>
Master Key	<input type="checkbox"/>
Group Key	<input type="checkbox"/>

Legend Symbols		PACCHI Packets	1	2	3	4	5	
	ESTRAZIONE DELLA CHIAVE Key removable in pos.		MORSETTI Contacts	1 3 5 7 9 11 13 15 17 19				
	RITORNO AUTOMATICO Spring return	POSIZIONI Positions						
	CONTATTO CHIUSO Closed contact		DICITURE Engravings	2	6	10	14	18
	CHIUSO SENZA INTERRUZIONE Closed without current breaking	TITLE						
		X 1	DRIFT	<input checked="" type="checkbox"/>	<input checked="" type="checkbox"/>	<input checked="" type="checkbox"/>	<input checked="" type="checkbox"/>	<input checked="" type="checkbox"/>
		X 2	UPPHÄVD	<input checked="" type="checkbox"/>	<input checked="" type="checkbox"/>	<input checked="" type="checkbox"/>	<input checked="" type="checkbox"/>	<input checked="" type="checkbox"/>



All technical informations contained in this document is the exclusive property of COMELETTRIC and may neither be used nor disclosed without its consent.

Drawn FR	Sheet 1/3	Approved by - Date FR
Checked FR	Scale 1:1	Rev. N° 0

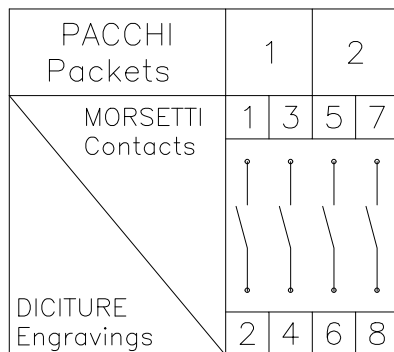
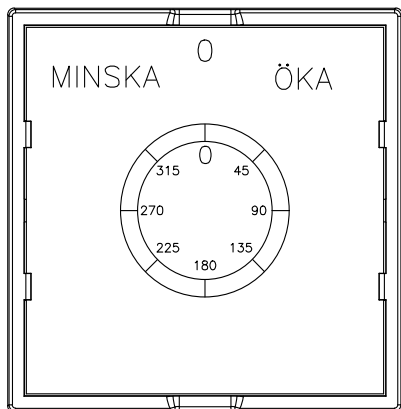
Escutcheon plate
48-21208T211

Type: R16 2/5 KO - 506150
Code: R602 SE205 008 07-K018

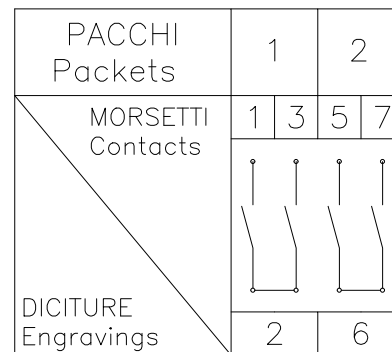
LK-styrning med fjäderretur

3-läges - 30x30 mm

MINSKA//0//ÖKA



Separerad kontakt



Gemensam kontakt

Tillquist Art nr: 506410

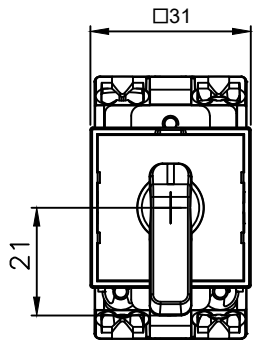
Modell: R8 3/1 MINSKA//"BLANKT"//ÖKA
(1NC.1NO) "Gemensam kontakt"

Tillquist Art nr: 507220

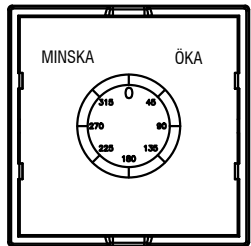
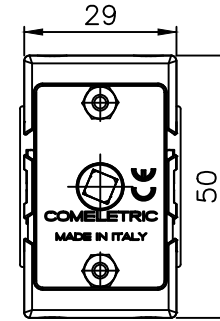
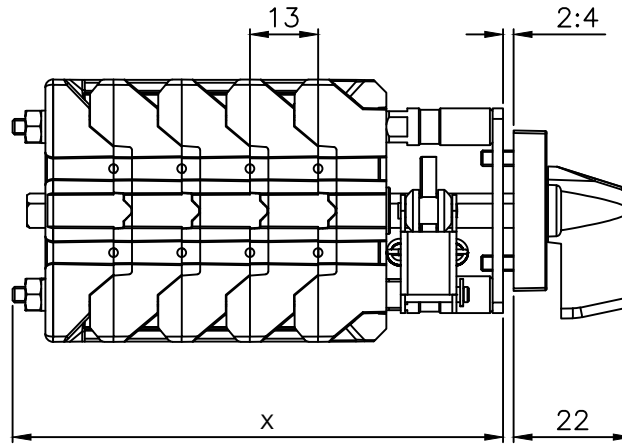
Modell: R8 3/2 MINSKA//"BLANKT"//ÖKA
(2NC.2NO) "Gemensam kontakt"

Tillquist Art nr: 507285

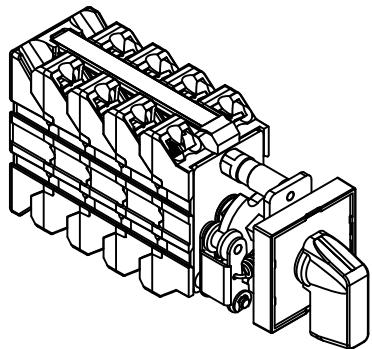
Modell: R8 3/2 MINSKA//0//ÖKA (2NC.2NO)
"Gemensam kontakt"



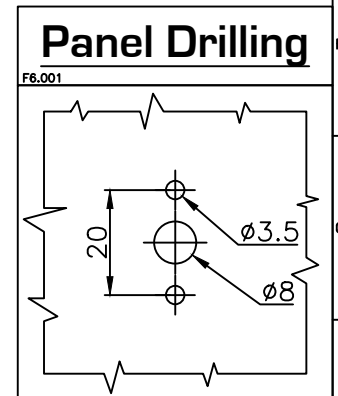
D003	
HANDLE	BLACK
FRONTPLATE	SILVER
HOLDER	BLACK
TEXT	BLACK



N° PACCHI												
N° PACKETS	1	2	3	4	5	6	7	8	9	10	11	12
X= LUNGH. mm	55	68	81	94	107	120	133	146	159	172	185	198
Lenght mm.												



Legend Symbols		POSIZIONI Positions	PACCHI Packets		
	RITORNO AUTOMATICO Spring return		 MORSETTI Contacts	1	3
	CONTATTO CHIUSO Closed contact			 DICTURE Engravings	
	CHIUSO SENZA INTERRUZIONE Closed without current breaking	TITLE			
		1	MINSKA		
		2			
		3	ÖKA		

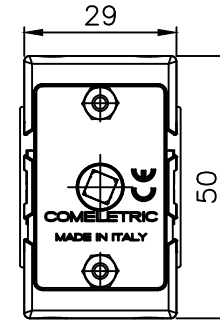
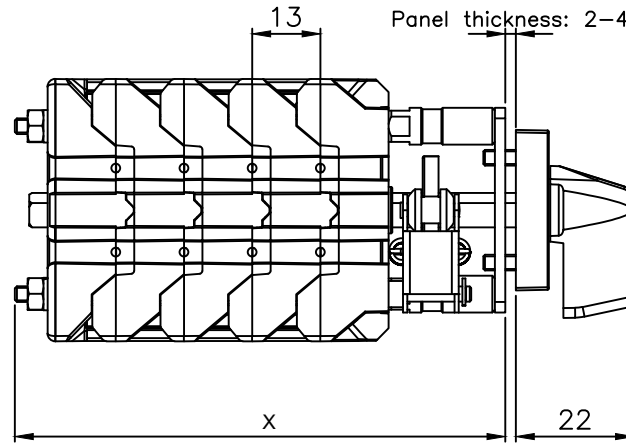
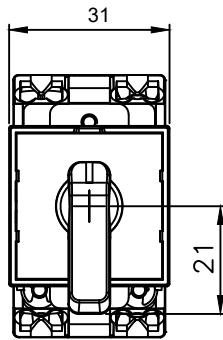
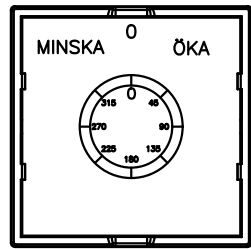


All technical informations contained in this document is the exclusive property of COMELETTRIC and may neither be used nor disclosed without its consent.

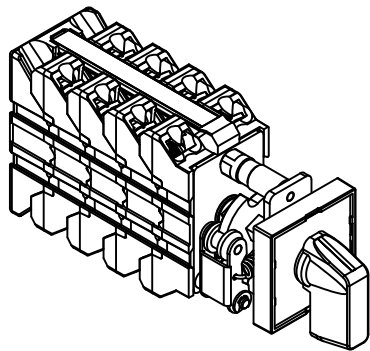
Drawn FR	Sheet 1/3	Approved by - Date FR
Checked FR	Scale 1:1	Rev. N° 0

Escutcheon plate
30-30312

Type: R8 3/1 - 506410
Code: R801 SEM301 003-D003

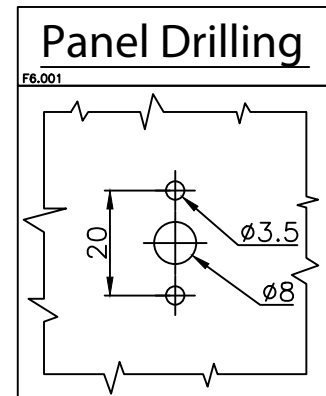


N° PACCHI N° PACKETS	1	2	3	4	5	6	7	8	9	10	11	12	13	14	15
X= LUNGH. mm Lenght mm.	55	68	81	94	107	120	133	146	159	172	185	198	211	224	237



Legend Symbols	
	RITORNO AUTOMATICO Spring return
	CONTATTO CHIUSO Closed contact
	CHIUSO SENZA INTERRUZIONE Closed without current breaking

POSIZIONI Positions	PACCHI Packets	
	1	2
MORSETTI Contacts	1 3 5 7	
DICITURE Engravings	2	6
TITLE		
1	MINSKA	
2	0	
3	ÖKA	

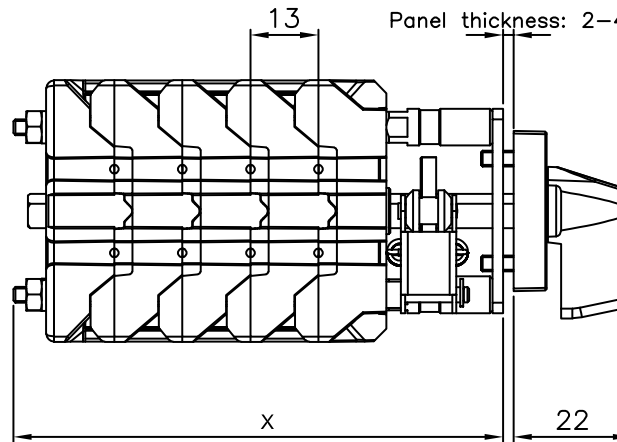
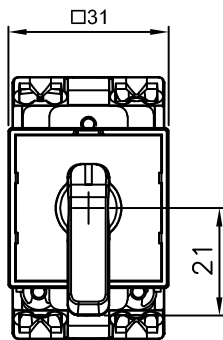
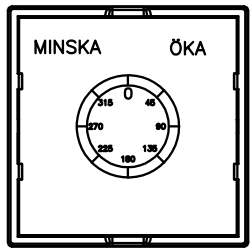


All technical informations contained in this document is the exclusive property of COMELETTRIC and may neither be used nor disclosed without its consent.

Drawn FR	Sheet 1/3	Approved by - Date FR
Checked FR	Scale 1:1	Rev. N° 0

Escutcheon plate
30-31290

Type: R8 3/2 - 507285
Code: R801 SEM302 003-D003

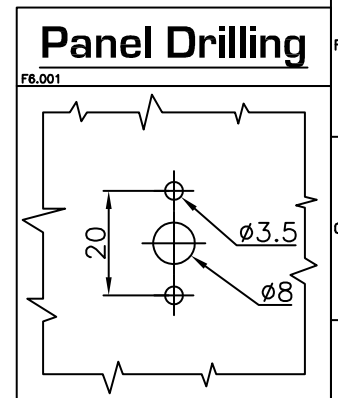
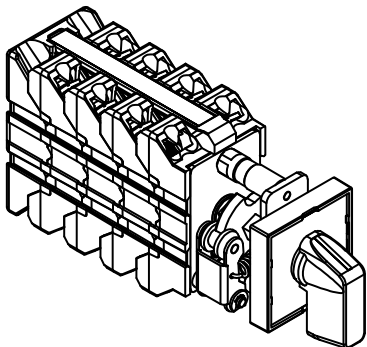


HANDLE BLACK
 FRONTPLATE SILVER
 HOLDER BLACK
 TEXT BLACK

N° PACCHI N° PACKETS	1	2	3	4	5	6	7	8	9	10	11	12	13	14	15
X= LUNGH. mm Length mm.	55	68	81	94	107	120	133	146	159	172	185	198	211	224	237

Legend Symbols	
	RITORNO AUTOMATICO Spring return
	CONTATTO CHIUSO Closed contact
	CHIUSO SENZA INTERRUZIONE Closed without current breaking

POSIZIONI Positions	PACCHI Packets	
	1	2
MORSETTI Contacts	1 3 5 7	
DICITURE Engravings	2	6
TITLE		
1	MINSKA	
2		
3	ÖKA	



All technical informations contained in this document is the exclusive property of COMELETTRIC and may neither be used nor disclosed without its consent.

Drawn FR
 Checked FR
 Sheet 1/3
 Scale 1:1
 Approved by - Date FR
 Rev. N° 0

Escutcheon plate
 30-30312

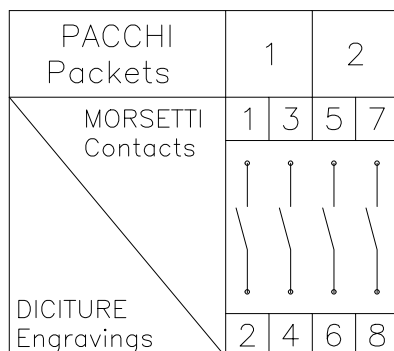
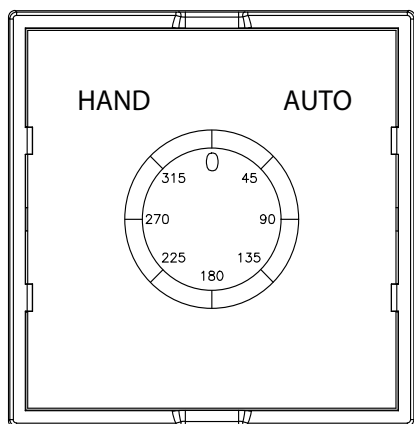
Type: R8 3/2 - 507220

Code: R801 SEM302 003-D003

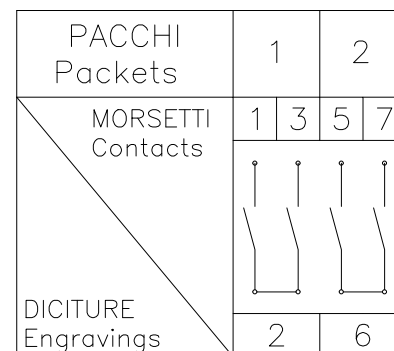
LK-styrning med fjäderretur

3-läges - 30x30 mm

HAND//0//AUTO



Separerad kontakt



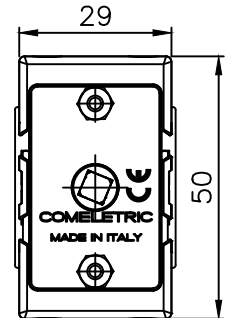
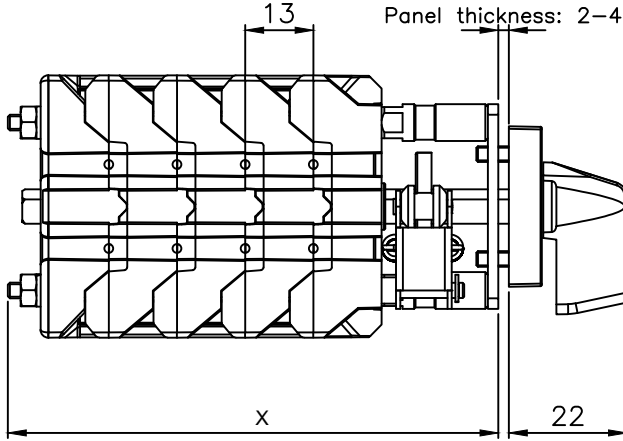
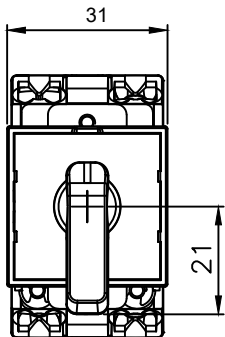
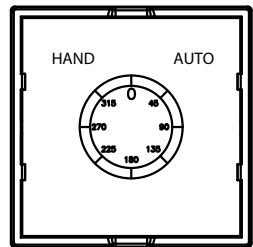
Gemensam kontakt

Tillquist Art nr: 506400

Modell: 30x30 mm, R8 3/1 (1NC,1NO) ”Gemensam kontakt”

Tillquist Art nr: 507221

Modell: 30x30 mm, R8 3/2 HAND//0//AUTO (2NC,2NO)
”Gemensam kontakt”

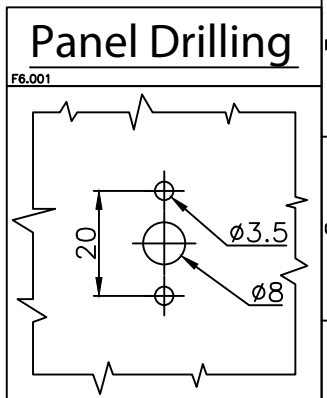
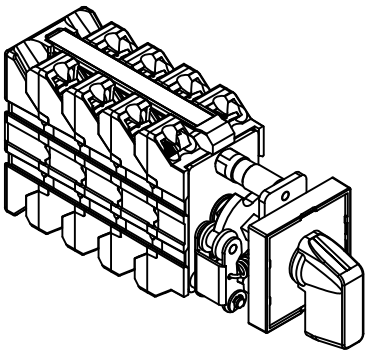


HANDLE	BLACK
FRONTPLATE	SILVER
HOLDER	BLACK
TEXT	BLACK

N° PACCHI															
N° PACKETS	1	2	3	4	5	6	7	8	9	10	11	12	13	14	15
X= LUNGH. mm Length mm.	55	68	81	94	107	120	133	146	159	172	185	198	211	224	237

Legend Symbols	
	RITORNO AUTOMATICO Spring return
	CONTATTO CHIUSO Closed contact
	CHIUSO SENZA INTERRUZIONE Closed without current breaking

POSIZIONI Positions	PACCHI Packets	
		1
	MORSETTI Contacts	
	DICITURE Engravings	
	2	
TITLE		
1	HAND	
2		
3	AUTO	

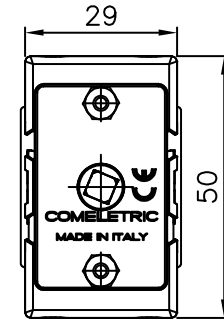
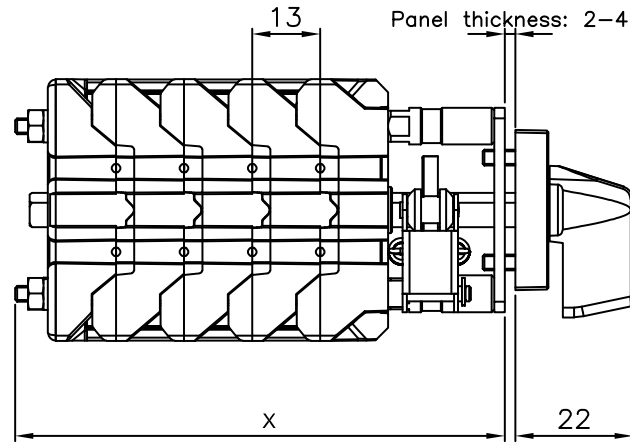
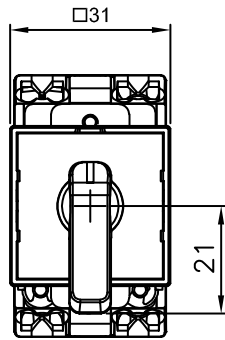
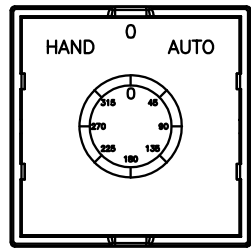


All technical informations contained in this document is the exclusive property of COMELETTRIC and may neither be used nor disclosed without its consent.

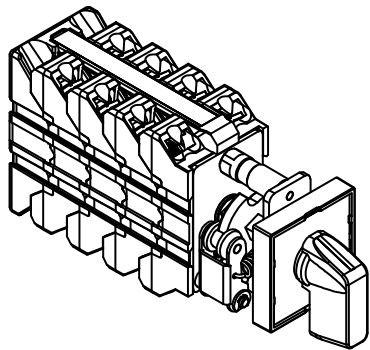
Drawn	Sheet	Approved by - Date
FR	1/3	FR
Checked	Scale	Rev. N°
FR	1:1	0




Escutcheon plate
30-30311

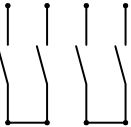





Type:	R8 3/1 - 506400
Code:	R801 SEM301 003-D003

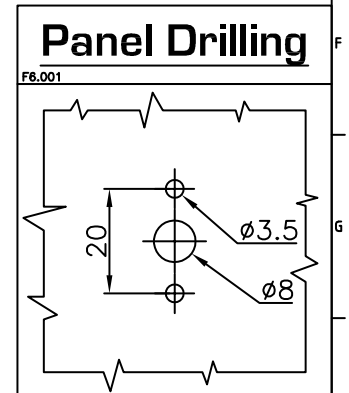


N° PACCHI N° PACKETS	1	2	3	4	5	6	7	8	9	10	11	12	13	14	15
X= LUNGH. mm Length mm.	55	68	81	94	107	120	133	146	159	172	185	198	211	224	237



Legend Symbols	
	RITORNO AUTOMATICO Spring return
	CONTATTO CHIUSO Closed contact
	CHIUSO SENZA INTERRUZIONE Closed without current breaking

POSIZIONI Positions	PACCHI Packets		1	2
	MORSETTI Contacts	1	3	5
DICITURE Engravings			2	6
TITLE				
1	HAND			
2	0			
3	AUTO			



All technical informations contained in this document is the exclusive property of COMELETTRIC and may neither be used nor disclosed without its consent.

Drawn
FR

Sheet
1/3

Approved by - Date
FR

Escutcheon plate
30-31234

Type:
Code:

R8 3/2 - 507221
R801 SEM302 003-D003

MK-ställare (Manöverkvittningsströmställare)

30x30 mm

2 funktionsmanöver med belysning för kontrolltavlor. Styrning av brytare/frånskiljare/jordningskopplare (O-I) fasta lägen

I > Manöver (Tryck in vrid från läge I > Manöver till ändläge, tillbaka med fjäderretur till I)

O > Manöver (Tryck in vrid från läge O > Manöver till ändläge, tillbaka med fjäderretur till läge O)

POSIZIONI Positions	PACCHI Packets	TEST LAMP		1	2
	MORSETTI Contacts	X5+	X1+	1 3 5 7	
		X2-		2 6 8	
DICITURE Engravings					
1				⊗	⊗
2	0			⊗	⊗
3	I			⊗	⊗
4				⊗	⊗



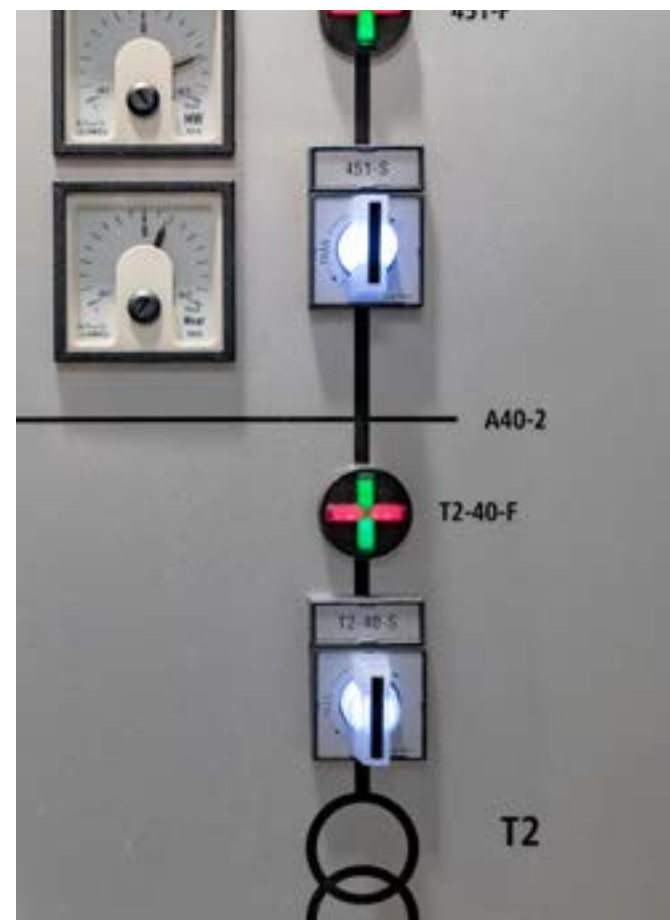
Tillquist Art nr: 506080C

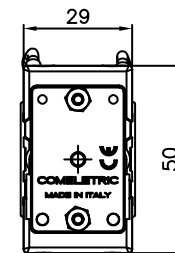
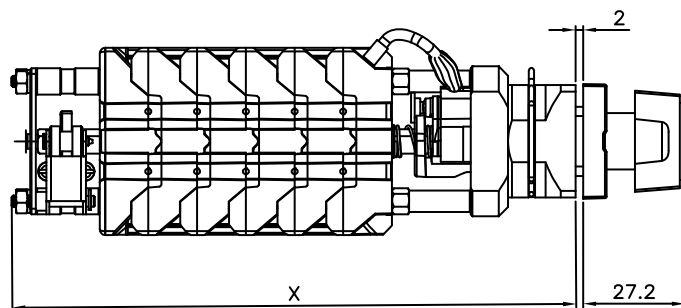
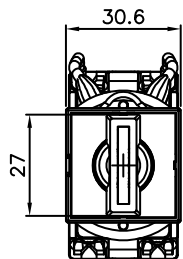
Modell: DR8 D/2 (2 kontaktlager med inbyggd lamptest)

Tillquist Art nr: 506082C

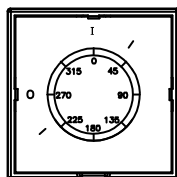
Modell: DR8 D/4 (4 kontaktlager med inbyggd lamptest)

Länk till Tillquist hemsida: [Ladda ner beställningsmall, ritningar och produktblad för DR8](#)

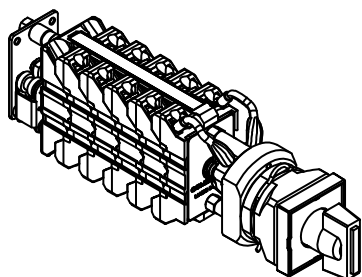




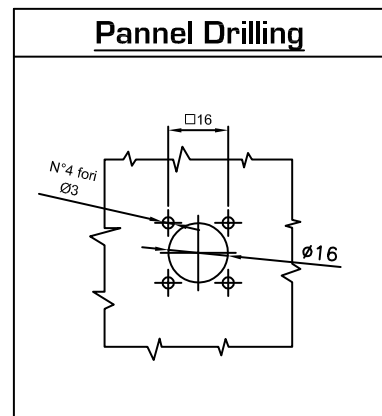
LED Volt.	DC	LED COLOR
24		WHITE
48		GREEN
110	X	RED
125		YELLOW
220		BLUE



N° PACCHI N° PACKETS	1	2	3	4	5	6	7	8
X= LUNGH. mm Length mm.	126	139	152	165	178	191	204	217



Legend Symbols		PACCHI Packets	TEST LAMP		1		2	
			X5+	X1+	1	3	5	7
	RITORNO AUTOMATICO Spring return	MORSETTI Contacts						
	CONTATTO CHIUSO Closed contact							
	CHIUSO SENZA INTERRUZIONE Closed without current breaking	DICITURE Engravings	X2-		2	6	8	
		POSIZIONI Positions						
		1				X	X	X
		2		0		X	X	X
		3		I		X	X	X
		4		I		X	X	X



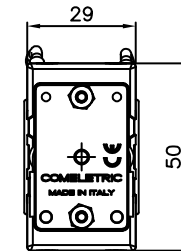
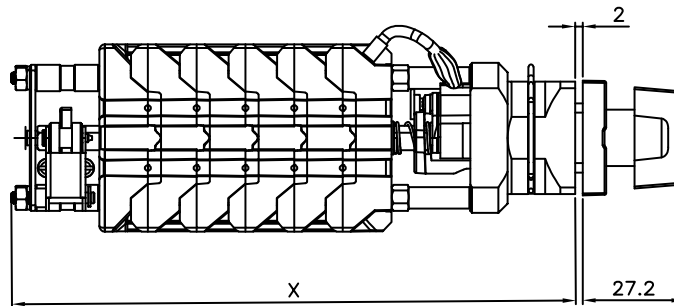
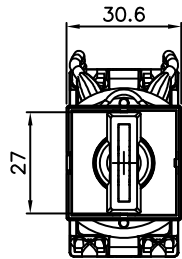
All technical informations contained in this document is the exclusive property of COMELETTRIC and may neither be used nor disclosed without its consent.

Drawn FR	Sheet 1/3	Approved by - Date FR
Checked FR	Scale 1:1	Rev. N° B

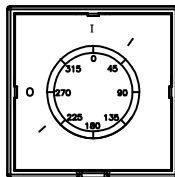
Escutcheon plate
30-40554

Type: DR8 D/2 506080C

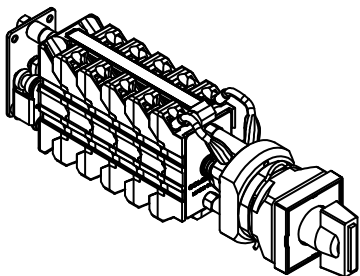
Code: DR808 SED02 201-H003



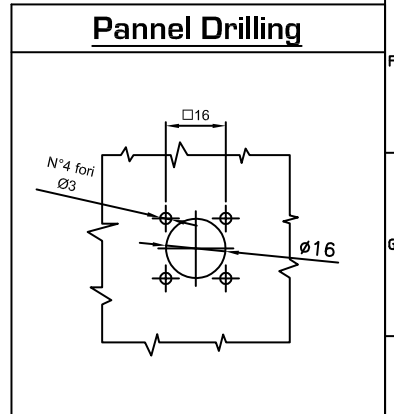
LED Volt.	DC	LED COLOR	
24		WHITE	X
48		GREEN	
110	X	RED	
125		YELLOW	
220		BLUE	



N° PACCHI N° PACKETS	1	2	3	4	5	6	7	8
X= LUNGH. mm Length mm.	126	139	152	165	178	191	204	217



Legend Symbols		PACCHI Packets	TEST LAMP	1				2				3				4					
				X5+	X1+	2	4	6	8	9	10	13	14	3	7	12	11	16	15		
	RITORNO AUTOMATICO Spring return	POSIZIONI Positions	MORSETTI Contacts		[Circuit diagram showing lamp connections]																
X	CONTATTO CHIUSO Closed contact			DICITURE Engravings	X2-	[Circuit diagram showing contact connections]															
X/X	CHIUSO SENZA INTERRUZIONE Closed without current breaking				1	2	3	4	5	6	7	8	9	10	11	12	13	14	15	16	
		1	I	X	X	X	X	X	X	X	X	X	X	X	X	X	X	X			
		2	0	X	X	X	X	X	X	X	X	X	X	X	X	X	X	X			
		3	I	X	X	X	X	X	X	X	X	X	X	X	X	X	X	X			
		4	I	X	X	X	X	X	X	X	X	X	X	X	X	X	X	X			



All technical informations contained in this document is the exclusive property of COMELETTRIC and may neither be used nor disclosed without its consent.

Drawn FR	Sheet 1/3	Approved by - Date FR
Checked FR	Scale 1:1	Rev. N° B

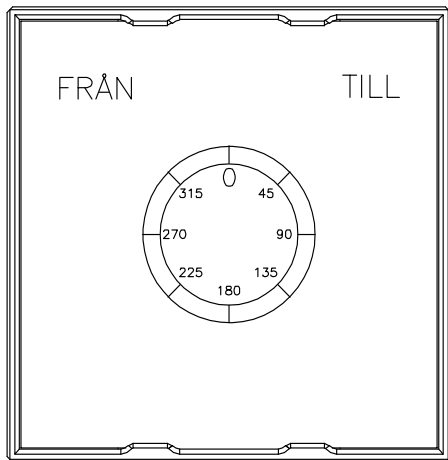
Escutcheon plate
30-40554

Type: DR8 D/4 506082C
Code: DR808 SED04 002-H003

Ljusbågsvakt

2-läges - 48x48 mm

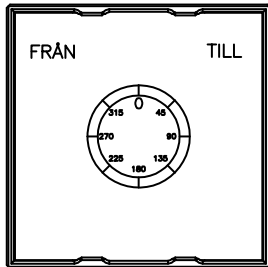
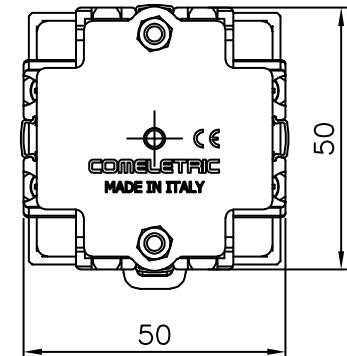
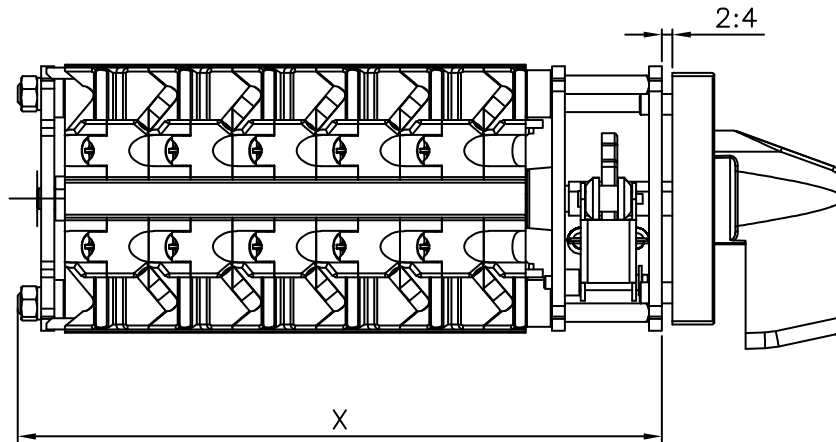
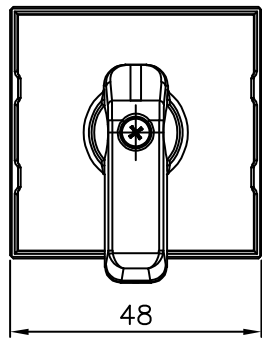
FRÅN//TILL



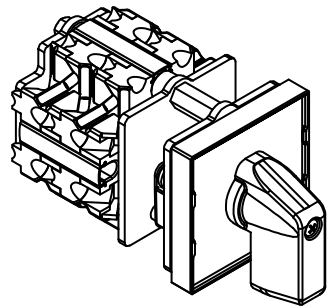
PACCHI Packets	1	2	3	4
MORSETTI Contacts	1 3	5 7	9 11	13 15
DICITURE Engravings	2 4	6 8	10 12	14 16
FRÅN	X	X	X	X
TILL	X	X	X	X

Tillquist Art nr: 506669

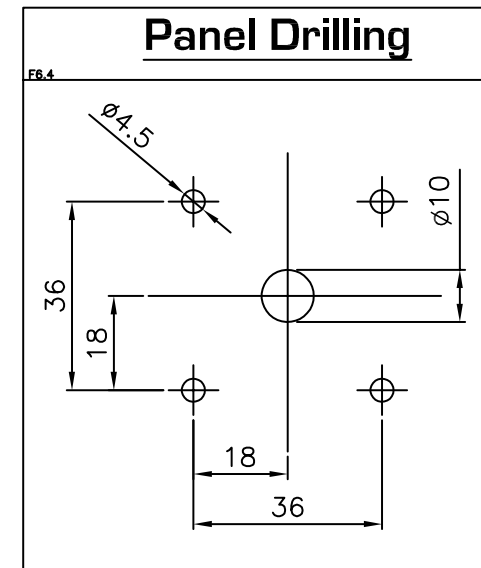
Modell: R16 2/4 (4NC.4NO) ”Separerad kontakt”



N° PACCHI N° PACKETS	1	2	3	4	5	6	7	8	9	10	11	12	13	14	15	16	17	18	19	20
X= LUNGH. mm Length mm.	51	59	67	75	83	91	99	107	115	123	131	139	147	155	163	171	179	187	195	203



Legend Symbols		POSIZIONI Positions	PACCHI Packets				
	RITORNO AUTOMATICO Spring return		MORSETTI Contacts	1	2	3	4
	CONTATTO CHIUSO Closed contact			1 3 5 7 9 11 13 15			
	CHIUSO SENZA INTERRUZIONE Closed without current breaking	DICITURE Engravings	2 4 6 8 10 12 14 16				
TITLE							
1 FRAN							
2 TILL							



All technical Informations contained in this document is the exclusive property of COMELETTRIC and may neither be used nor disclosed without its consent.

Drawn FR	Sheet 1/3	Approved by - Date FR
Checked FR	Scale 1:1	Rev. N° 0

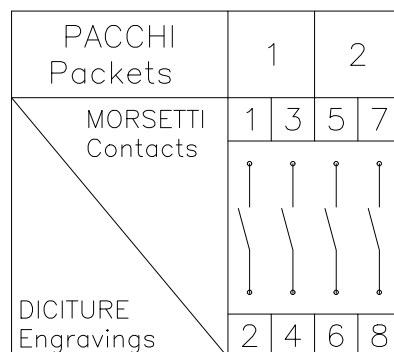
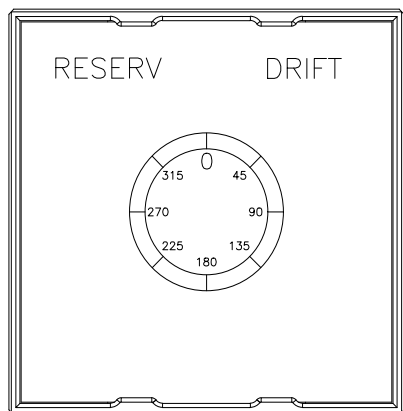
Escutcheon plate
48-21272

Type: R16 2/4 506669
Code: R601 SE204 027-W006

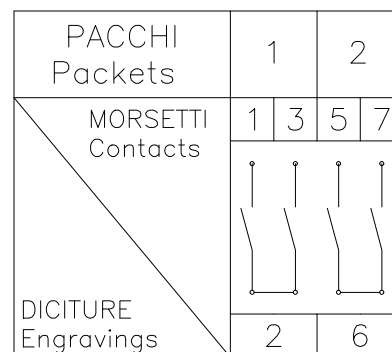
Ljusbågsvakt

2-läges - 48x48 mm

RESERV//DRIFT



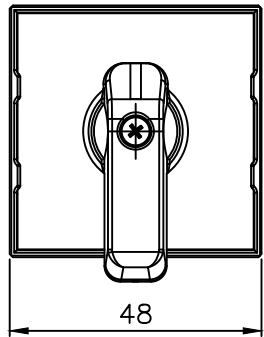
Separerad kontakt



Gemensam kontakt

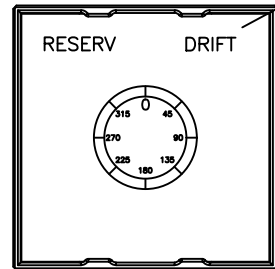
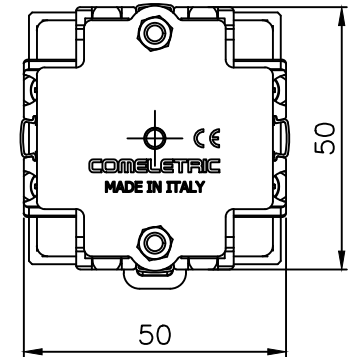
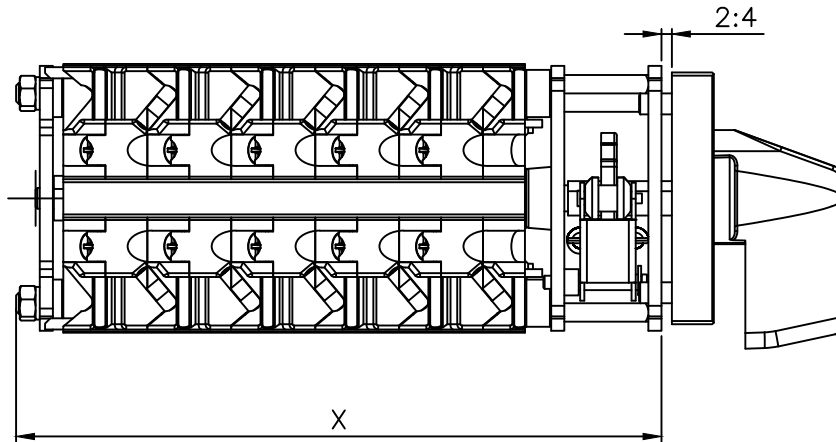
Tillquist Art nr: 506174

Modell: R16 2/4 (4NC.4NO) ”Gemensam kontakt”



HANDLE	BLACK
FRONTPLATE	SILVER
HOLDER	BLACK
TEXT	BLACK

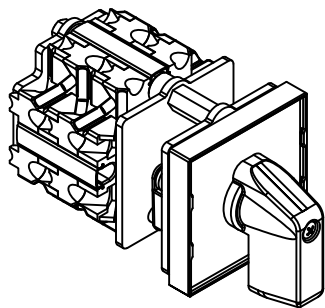
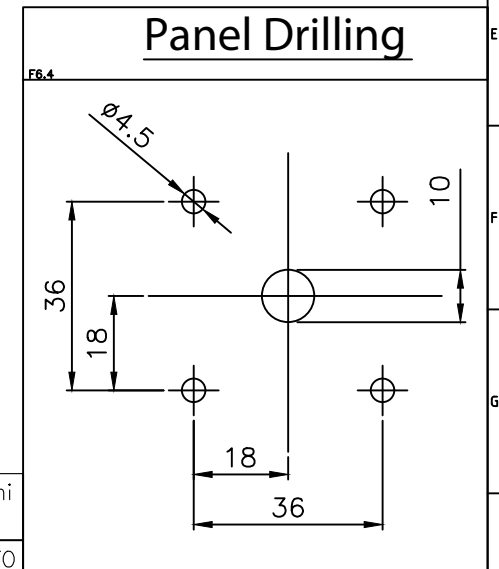
Engaving code Until
2023-06-07: 21275
RESERVFUNCTION LJUSBÄGSAKT
I DRIFT I DRIFT



N° PACCHI N° PACKETS	1	2	3	4	5	6	7	8	9	10	11	12	13	14	15	16	17	18	19	20
X= LUNGH. mm Lenght mm.	51	59	67	75	83	91	99	107	115	123	131	139	147	155	163	171	179	187	195	203

Legend Symbols	
	RITORNO AUTOMATICO Spring return
	CONTATTO CHIUSO Closed contact
	CHIUSO SENZA INTERRUZIONE Closed without current breaking

		PACCHI Packets			
		1	2	3	4
POSITIONS Positions	MORSETTI Contacts	12 14	22 24	32 34	42 44
	DICITURE Engravings	11	21	31	41
TITLE					
1	RESERV				
2	DRIFT				



B	ENGRAVING CHANGE FROM 48-21275 TO 48-21427	07/06/2023	E. Lucchini
N.	DESCRIZIONE	DATA	APPROVATO



All technical informations contained in this document is the exclusive property of COMELETTRIC and may neither be used nor disclosed without its consent.

Drawn EL	Sheet 1/3	Approved by - Date EL/25/03/20
Checked EL	Scale 1:1	Rev. N° B

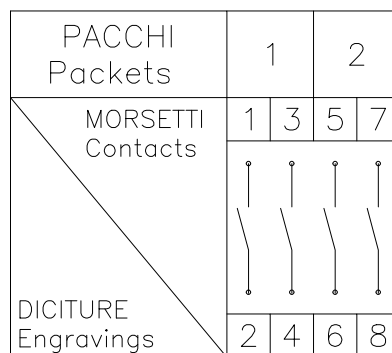
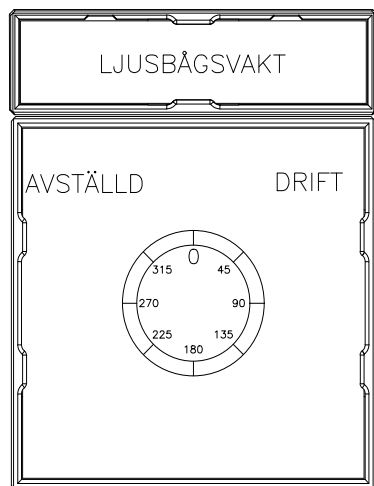
Escutcheon plate
48-21427

Type: R16 2/4 506174
Code: R601 SE204 202-W006

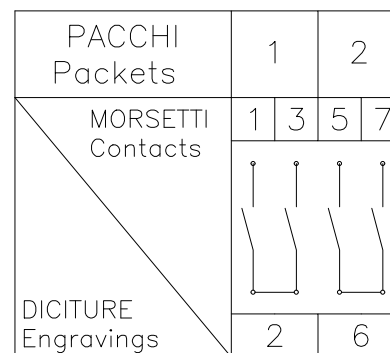
Ljusbågsvakt

2-läges - 48x48 mm

AVSTÄLLD//DRIFT



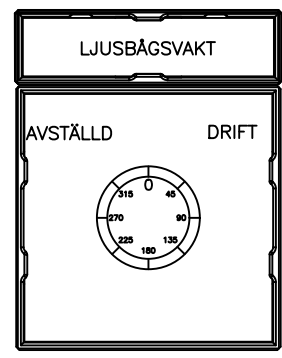
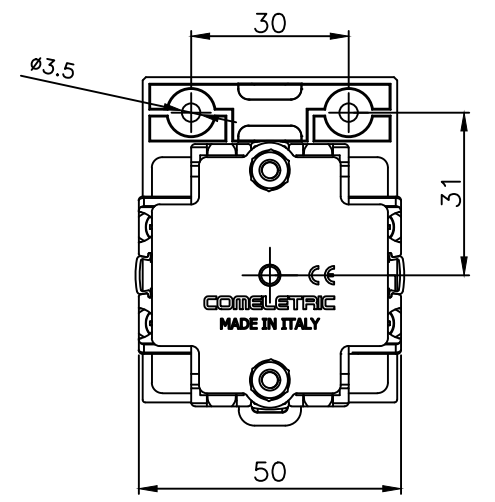
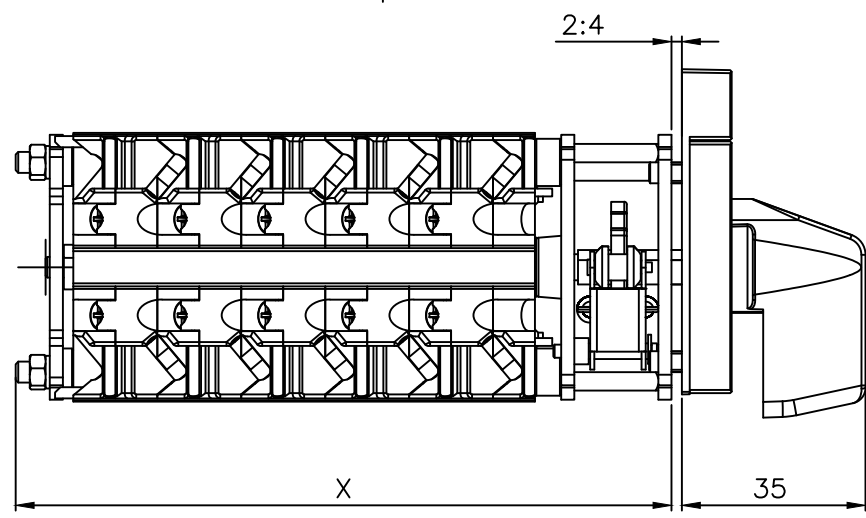
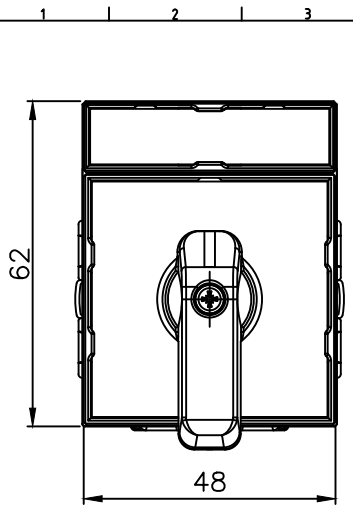
Separerad kontakt



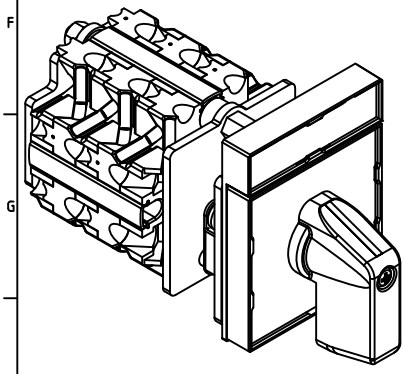
Gemensam kontakt

Tillquist Art nr: 507354

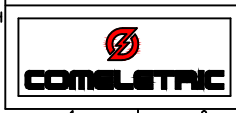
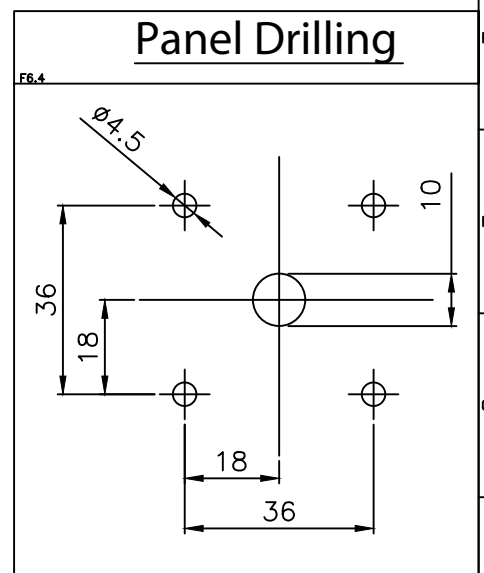
Modell: R16 2/4 (4NC.4NO) ”Separerad kontakt”



N° PACCHI N° PACKETS	1	2	3	4	5	6	7	8	9	10	11	12	13	14	15	16	17	18	19	20
X= LUNGH. mm Length mm.	51	59	67	75	83	91	99	107	115	123	131	139	147	155	163	171	179	187	195	203



Legend Symbols		PACCHI Packets	MORSETTI Contacts
	RITORNO AUTOMATICO Spring return		
	CONTATTO CHIUSO Closed contact	POSIZIONI Positions DICITURE Engravings	↑ ↑ ↑ ↑ ↑ ↑ ↑
	CHIUSO SENZA INTERRUZIONE Closed without current breaking		2 4 6 8 10 12 12 12
TITLE		LJUSBÄGSAVAKT	
1		AVSTÄLLD	
2		DRIFT	



All technical informations contained in this document is the exclusive property of COMETRIC and may neither be used nor disclosed without its consent.

Drawn EL	Sheet 1/3	Approved by - Date EL/09/10/19
Checked EL	Scale 1:1	Rev. N° A

Escutcheon plate
48-21100T198

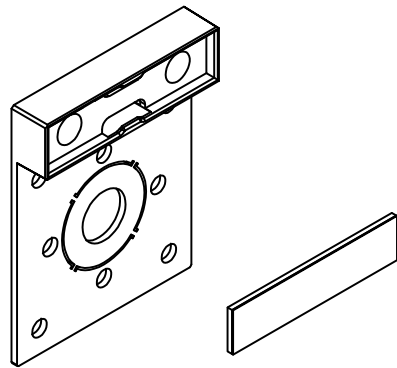
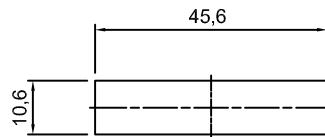
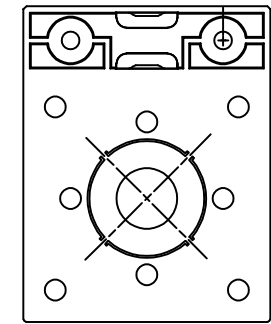
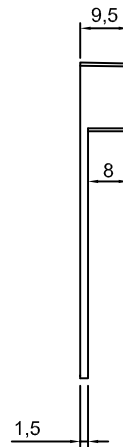
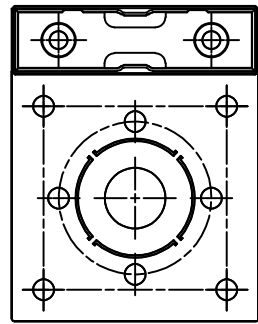
Type: R16 2/4 - 507354
Code: R601 SE204 208-W008

Ljusbågsvakt

Tillbehör - 48x48 mm

Tillquist Art nr: 507133

Skylthållare Ink. text: LJUSBÅGSVAKT



LJUSBÅGSAKT



All technical informations contained in this document is the exclusive property of COMLETRIC and may neither be used nor disclosed without its consent.

Drawn FR	Sheet 1/1	Approved by - Date FR/18/11/16
Checked FR	Scale 1:1	Rev. N° A

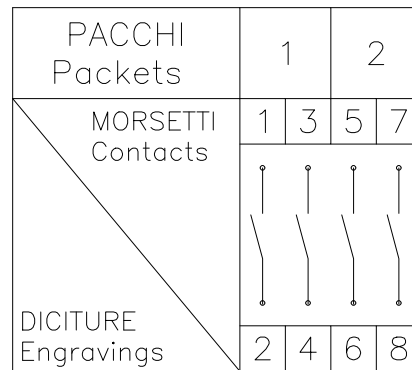
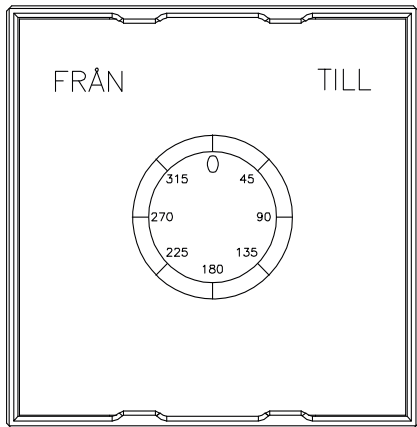
Escutcheon plate

Type:	LEGEND LABEL 507133
Code:	TL48M-00235

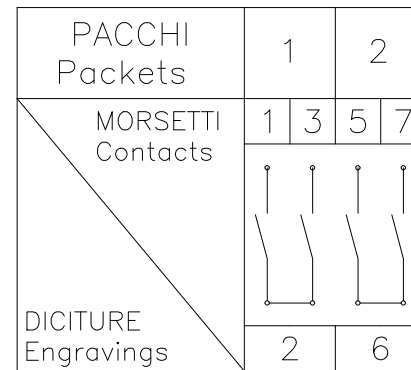
Lampprov/test

2-läges - 30x30 mm

FRÅN//TILL



Separerad kontakt



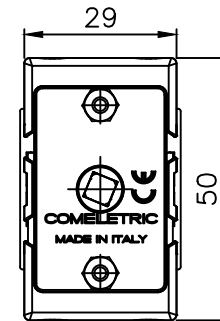
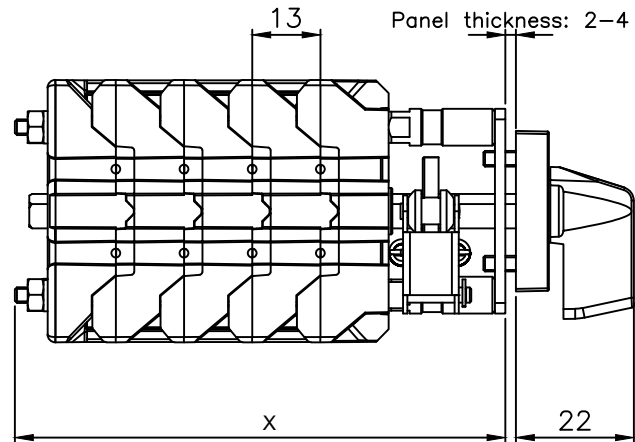
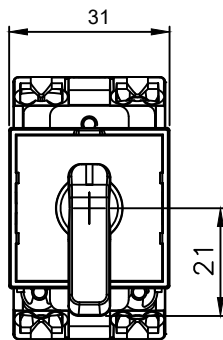
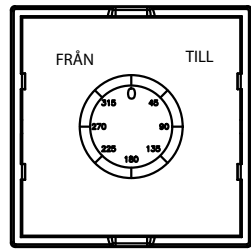
Gemensam kontakt

Tillquist Art nr: 507560

Modell: R8 2/2 (2NC.2NO) ”Separerad kontakt”

Tillquist Art nr: 507576

Modell: R8 2/2 (2NC.2NO) ”Gemensam kontakt”

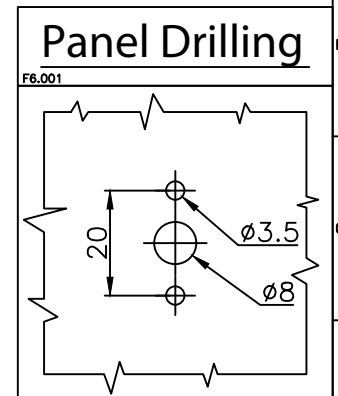
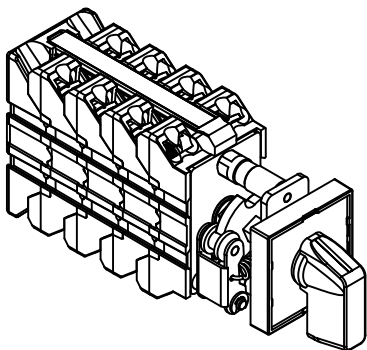


HANDLE	BLACK
FRONTPLATE	SILVER
HOLDER	BLACK
TEXT	BLACK

N° PACCHI N° PACKETS	1	2	3	4	5	6	7	8	9	10	11	12	13	14	15
X= LUNGH. mm Length mm.	55	68	81	94	107	120	133	146	159	172	185	198	211	224	237

Legend Symbols	
	RITORNO AUTOMATICO Spring return
	CONTATTO CHIUSO Closed contact
	CHIUSO SENZA INTERRUZIONE Closed without current breaking

POSIZIONI Positions	PACCHI Packets		1	2
	MORSETTI Contacts	1	3	5
DICITURE Engravings	2	4	6	8
TITLE				
1	FRÅN			
2	TILL			

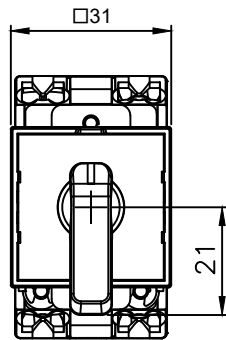


All technical informations contained in this document is the exclusive property of COMELETTRIC and may neither be used nor disclosed without its consent.

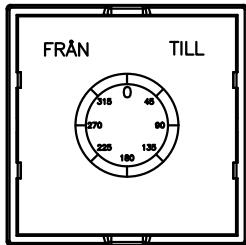
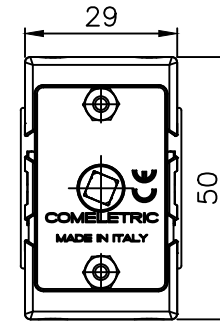
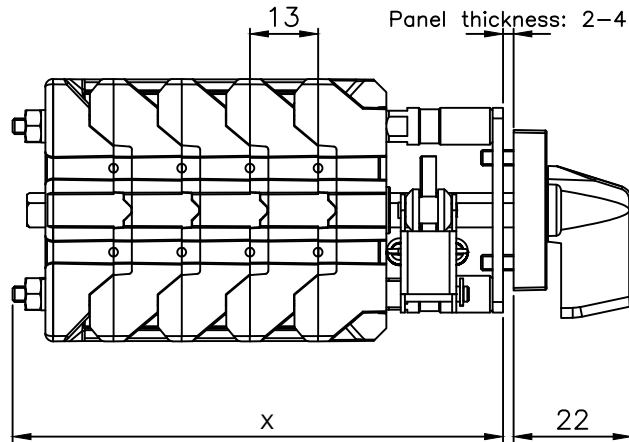
Drawn EL	Sheet 1/3	Approved by - Date EL/27/09/23
Checked EL	Scale 1:1	Rev. N° A

Escutcheon plate
30-21272

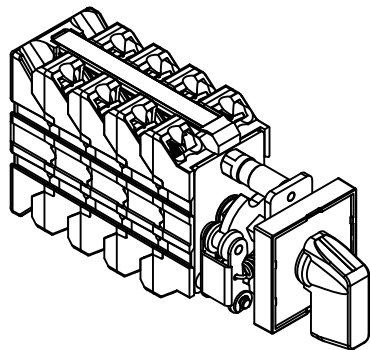
Type: R8 2/2 - 507560
Code: R801 SE202 027-D003



D003	
HANDLE	BLACK
FRONTPLATE	SILVER
HOLDER	BLACK
TEXT	BLACK

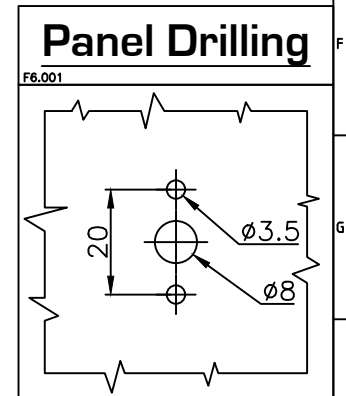


N° PACCHI N° PACKETS	1	2	3	4	5	6	7	8	9	10	11	12	13	14	15
X= LUNGH. mm Length mm.	55	68	81	94	107	120	133	146	159	172	185	198	211	224	237



Legend Symbols	
	RITORNO AUTOMATICO Spring return
	CONTATTO CHIUSO Closed contact
	CHIUSO SENZA INTERRUZIONE Closed without current breaking

POSIZIONI Positions	PACCHI Packets	
	1	2
MORSETTI Contacts	1 3 5 7	
DICITURE Engravings	2	6
TITLE		
1	FRÅN	
2	TILL	



All technical informations contained in this document is the exclusive property of COMELETTRIC and may neither be used nor disclosed without its consent.

Drawn FR	Sheet 1/3	Approved by - Date FR
Checked FR	Scale 1:1	Rev. N° 0

Escutcheon plate
30-21280

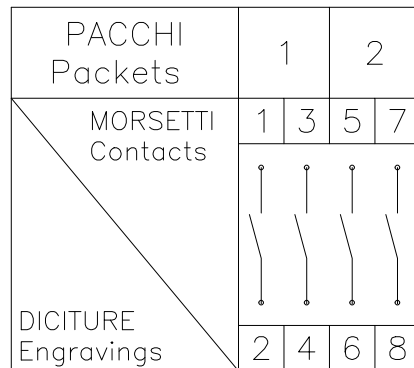
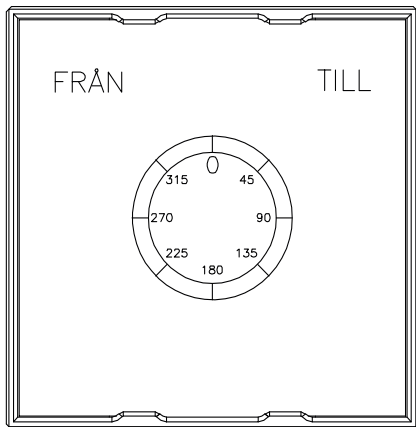
Type: R8 2/2 - 507576

Code: R801 SE202 008-D003

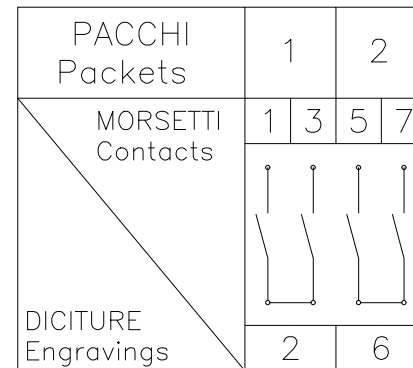
Lampprov/test

2-läges - 48x48 mm

FRÅN//TILL



Separerad kontakt



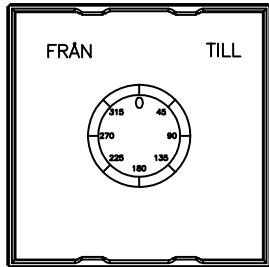
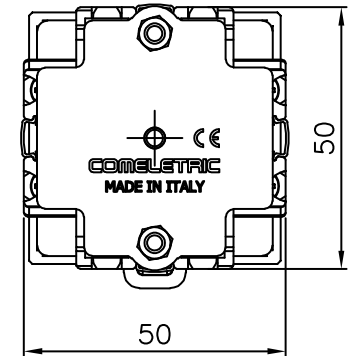
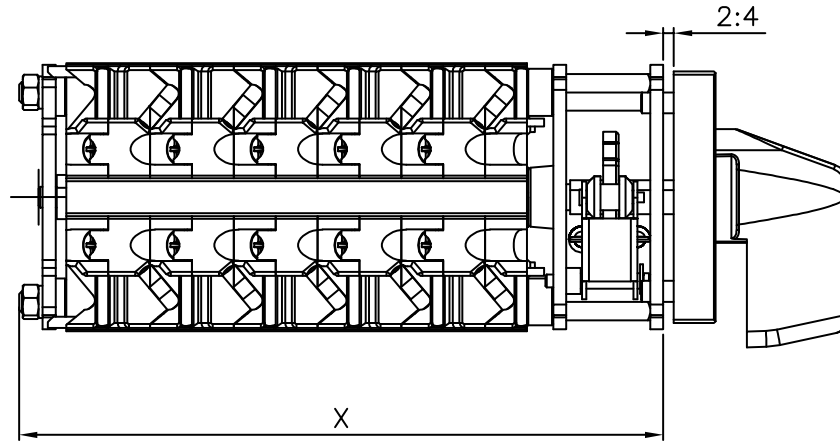
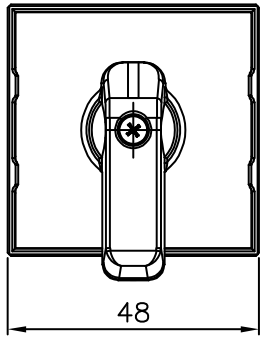
Gemensam kontakt

Tillquist Art nr: 506618

Modell: R16 2/3 (3NC.3NO) ”Gemensam kontakt”

Tillquist Art nr: 506173

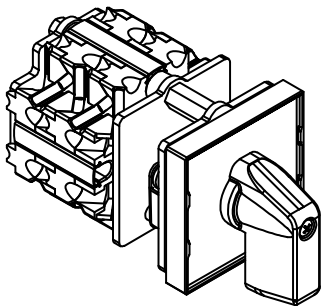
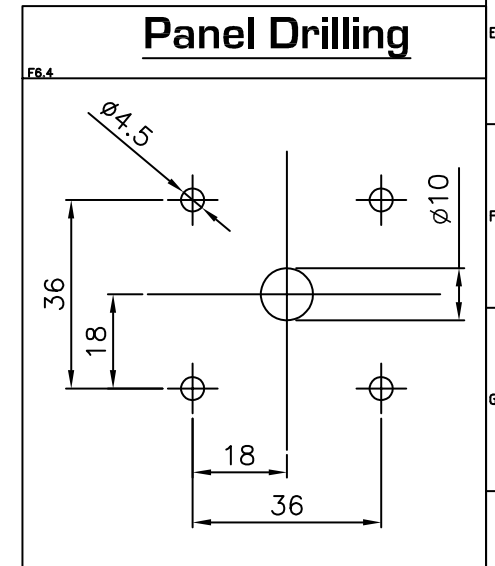
Modell: R16 2/2 (2NC.2NO) ”Gemensam kontakt”



N° PACCHI N° PACKETS	1	2	3	4	5	6	7	8	9	10	11	12	13	14	15	16	17	18	19	20
X= LUNGH. mm Length mm.	51	59	67	75	83	91	99	107	115	123	131	139	147	155	163	171	179	187	195	203

Legend Symbols	
	RITORNO AUTOMATICO Spring return
	CONTATTO CHIUSO Closed contact
	CHIUSO SENZA INTERRUZIONE Closed without current breaking

		PACCHI Packets		
		1	2	3
POSIZIONI Positions	MORSETTI Contacts	1 3 5 7 9 11		
	DICITURE Engravings			
		2	6	10
TITLE				
1	FRAN			
2	TILL			

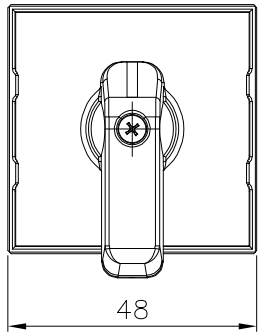


All technical informations contained in this document is the exclusive property of COMELETTRIC and may neither be used nor disclosed without its consent.

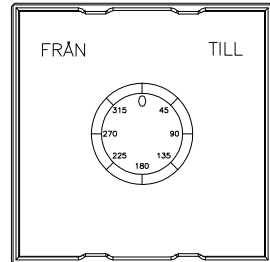
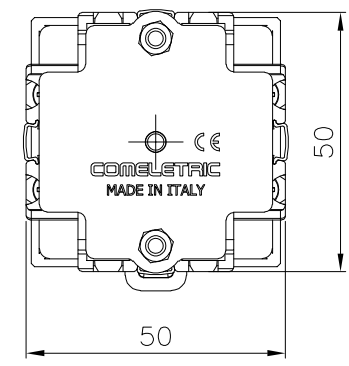
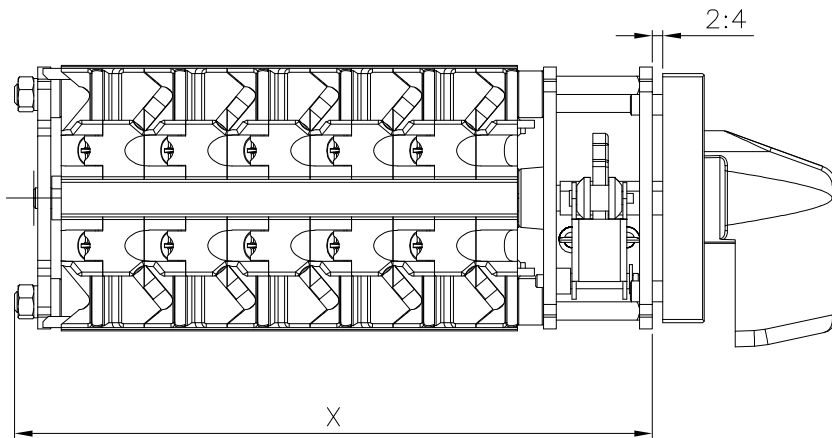
Drawn FR	Sheet 1/3	Approved by - Date FR
Checked FR	Scale 1:1	Rev. N° 0

Escutcheon plate
48-21272

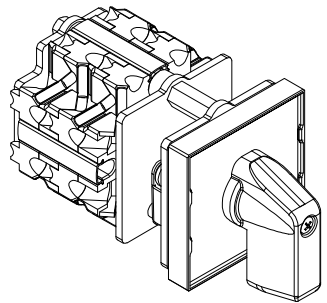
Type:	R16 2/3 - 506618
Code:	R601 SE203 008-W006



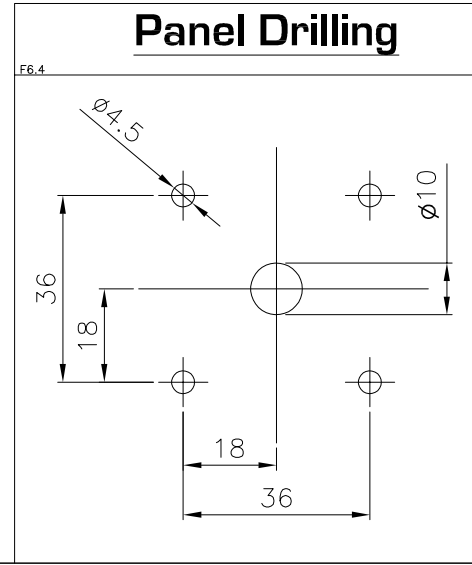
HANDLE	BLACK
FRONTPLATE	CONTR.
HANDLE H.	BLACK
TEXT	BLACK



N° PACCHI N° PACKETS	1	2	3	4	5	6	7	8	9	10	11	12	13	14	15	16	17	18	19	20
X= LUNGH. mm Length mm.	51	59	67	75	83	91	99	107	115	123	131	139	147	155	163	171	179	187	195	203



Legend Symbols		POSIZIONI Positions	PACCHI Packets		
	RITORNO AUTOMATICO Spring return		MORSETTI Contacts	1	2
	CONTATTO CHIUSO Closed contact			1214	2224
	CHIUSO SENZA INTERRUZIONE Closed without current breaking	DICITURE Engravings	11	21	
TITLE					
1		FRAN			
2		TILL			



All technical informations contained in this document is the exclusive property of COMELETRIC and may neither be used nor disclosed without its consent.

Drawn EL	Sheet 1/3	Approved by - Date EL/25/03/20
Checked EL	Scale 1:1	Rev. N° A

Escutcheon plate
48-21272

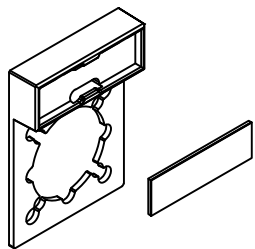
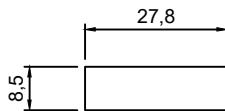
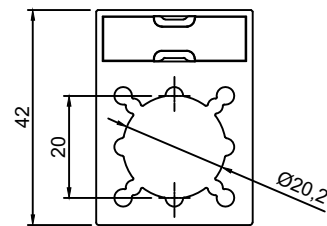
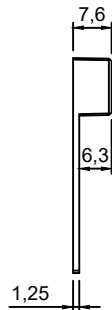
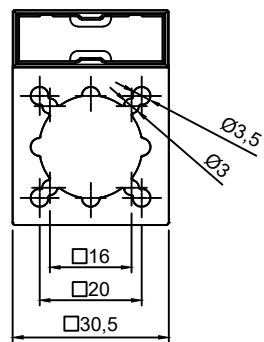
Type: R16 2/2 506173
Code: R601 SE202 202-W006

Lampprov/test

Tillbehör - 30x30 mm & 48x48 mm

Tillquist Art nr: 507202
Skylthållare för 30x30 mm Ink. text "LAMPPROV"

Tillquist Art nr: 507032
Skylthållare för 48x48 mm Ink. text "LAMPPROV"



LAMPPROV

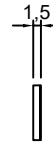
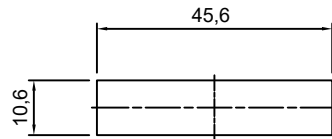
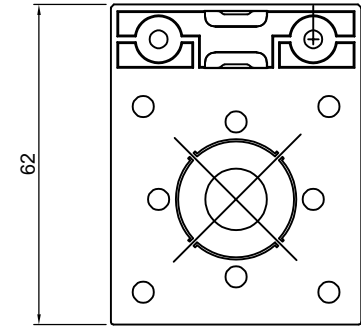
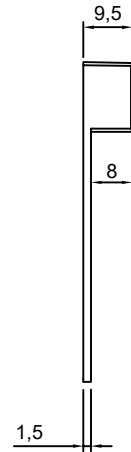
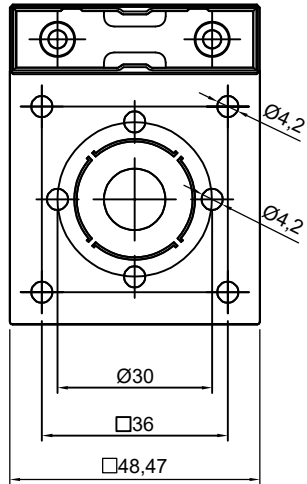


All technical informations contained in this document is the exclusive property of COMLETRIC and may neither be used nor disclosed without its consent.

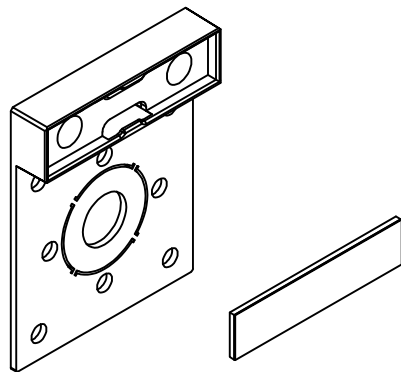
Drawn EL	Sheet 1/1	Approved by - Date EL/01/04/20
Checked EL	Scale 1:1	Rev. N° A

Escutcheon plate

Type:	LEGEND LABEL 30X30 507202
Code:	TL30M-00227



TL48M	
HOLDER	BLACK
FRONTPLATE	SILVER
ENGRAVING	FRONT
MATERIAL	TRAFFOLYTE
TEXT	BLACK



LAMPPROV



All technical informations contained in this document is the exclusive property of COMELTRIC and may neither be used nor disclosed without its consent.

Drawn FR	Sheet 1/1	Approved by - Date FR/18/11/16
Checked FR	Scale 1:1	Rev. N° A

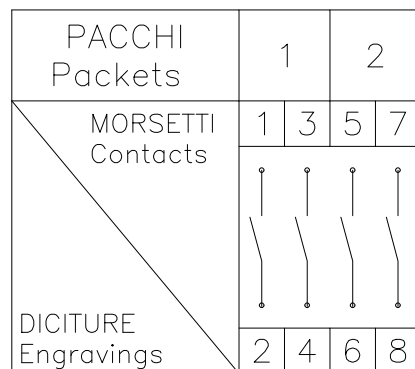
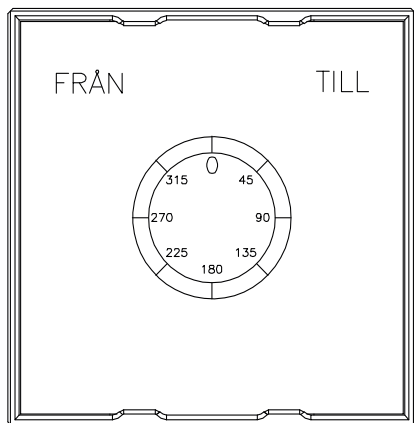
Escutcheon plate

Type:	LEGEND LABEL - 507032
Code:	TL48M-00227

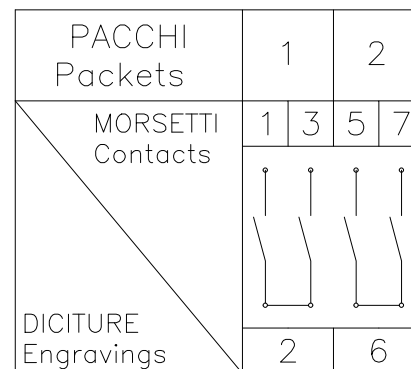
Lokallarm/Larmdon

2-läges - 30x30 mm

FRÅN//TILL



Separerad kontakt



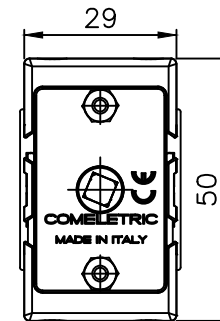
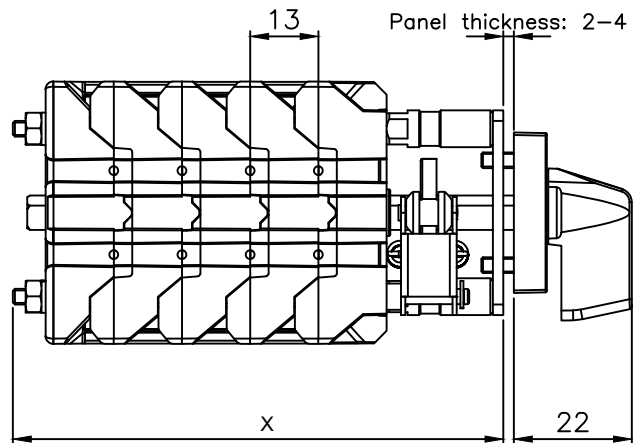
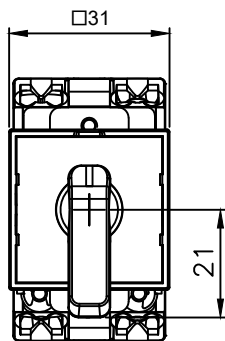
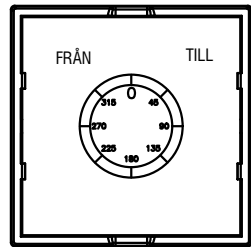
Gemensam kontakt

Tillquist Art nr: 507560

Modell: R8 2/2 (2NC.2NO) ”Separerad kontakt”

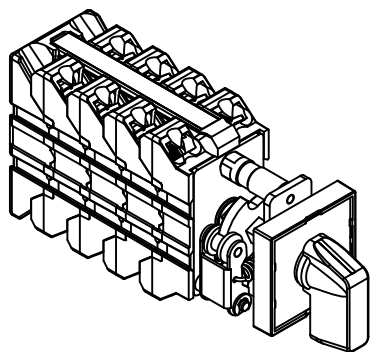
Tillquist Art nr: 507576

Modell: R8 2/2 (2NC.2NO) ”Gemensam kontakt”



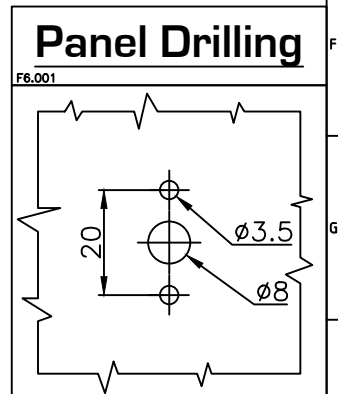
HANDLE	BLACK
FRONTPLATE	SILVER
HOLDER	BLACK
TEXT	BLACK

N° PACCHI N° PACKETS	1	2	3	4	5	6	7	8	9	10	11	12	13	14	15
X= LUNGH. mm Length mm.	55	68	81	94	107	120	133	146	159	172	185	198	211	224	237



Legend Symbols	
	RITORNO AUTOMATICO Spring return
	CONTATTO CHIUSO Closed contact
	CHIUSO SENZA INTERRUZIONE Closed without current breaking

POSIZIONI Positions	PACCHI Packets	
	1	2
MORSETTI Contacts	1 3 5 7	
DICITURE Engravings	2 4 6 8	
TITLE		
1	FRÅN	
2	TILL	

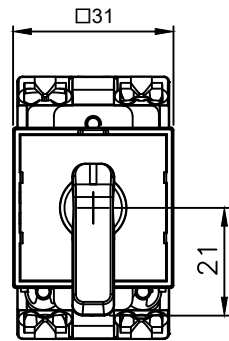


All technical informations contained in this document is the exclusive property of COMELETTRIC and may neither be used nor disclosed without its consent.

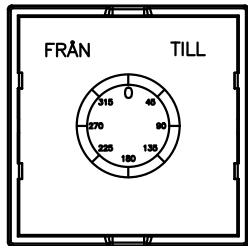
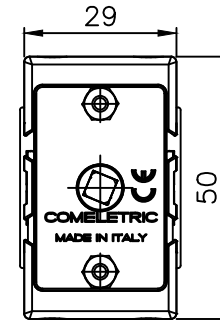
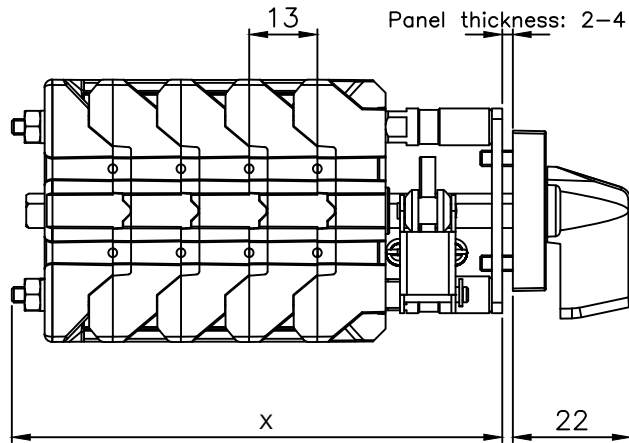
Drawn EL	Sheet 1/3	Approved by - Date EL/27/09/23
Checked EL	Scale 1:1	Rev. N° A

Escutcheon plate
30-21272

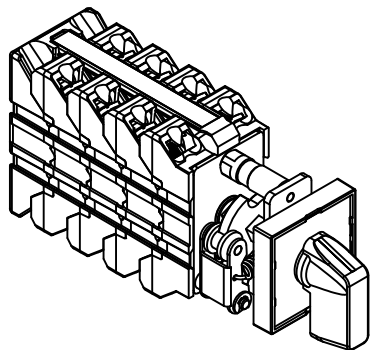
Type: R8 2/2 - 507560
Code: R801 SE202 027-D003



D003	
HANDLE	BLACK
FRONTPLATE	SILVER
HOLDER	BLACK
TEXT	BLACK

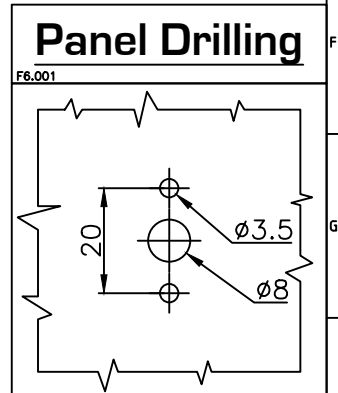


N° PACCHI N° PACKETS	1	2	3	4	5	6	7	8	9	10	11	12	13	14	15
X= LUNGH. mm Length mm.	55	68	81	94	107	120	133	146	159	172	185	198	211	224	237



Legend Symbols	
	RITORNO AUTOMATICO Spring return
	CONTATTO CHIUSO Closed contact
	CHIUSO SENZA INTERRUZIONE Closed without current breaking

POSIZIONI Positions	PACCHI Packets	
	1	2
MORSETTI Contacts	1 3 5 7	
DICITURE Engravings	2	6
TITLE		
1	FRÅN	
2	TILL	



All technical informations contained in this document is the exclusive property of COMELETTRIC and may neither be used nor disclosed without its consent.

Drawn	Sheet	Approved by - Date
FR	1/3	FR
Checked	Scale	Rev. N°
FR	1:1	0

Escutcheon plate
30-21280

Type:

R8 2/2 - 507576

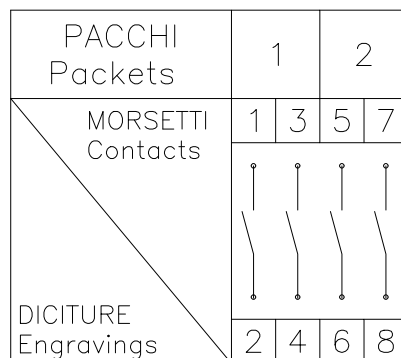
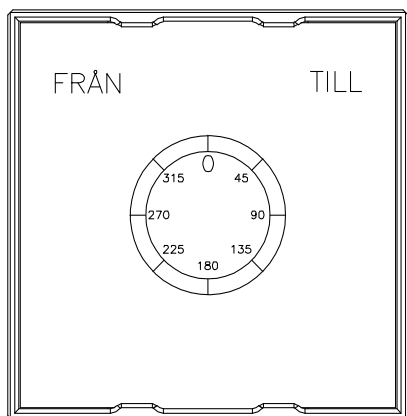
Code:

R801 SE202 008-D003

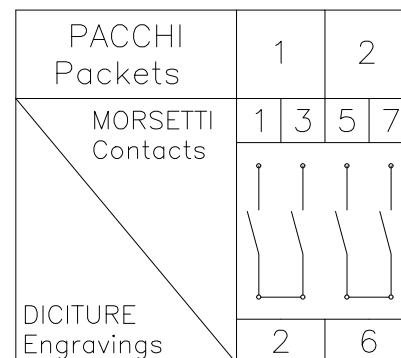
Lokallarm/Larmdon

2-läges - 48x48 mm

FRÅN//TILL



Separerad kontakt



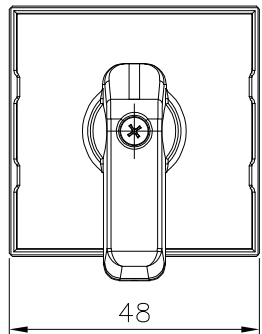
Gemensam kontakt

Tillquist Art nr: 506173

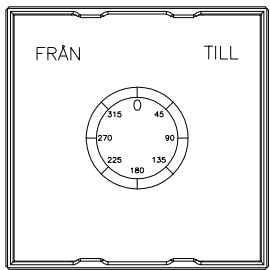
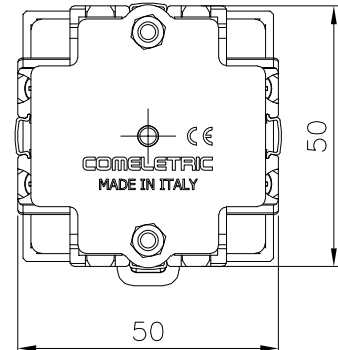
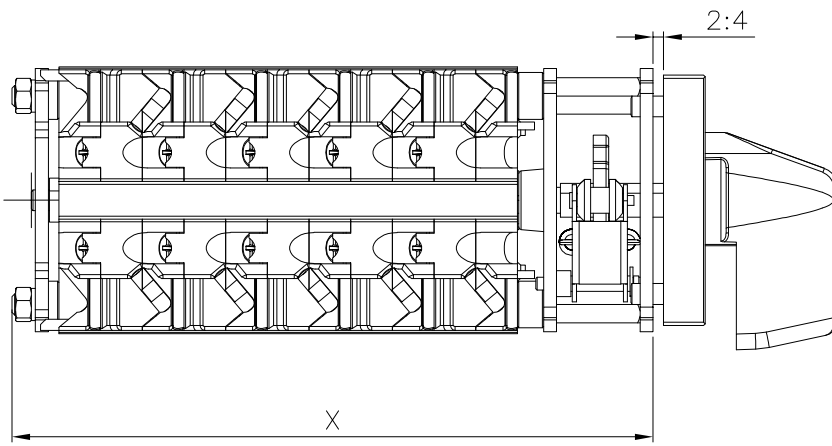
Modell: R16 2/4 (2NC,2NO) ”Gemensam kontakt”

Tillquist Art nr: 506618

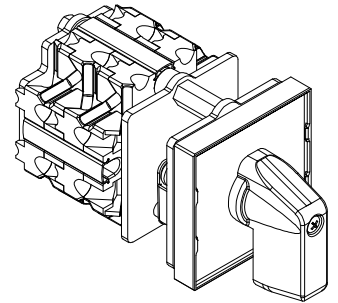
Modell: R16 2/3 (3NC,3NO) ”Gemensam kontakt”



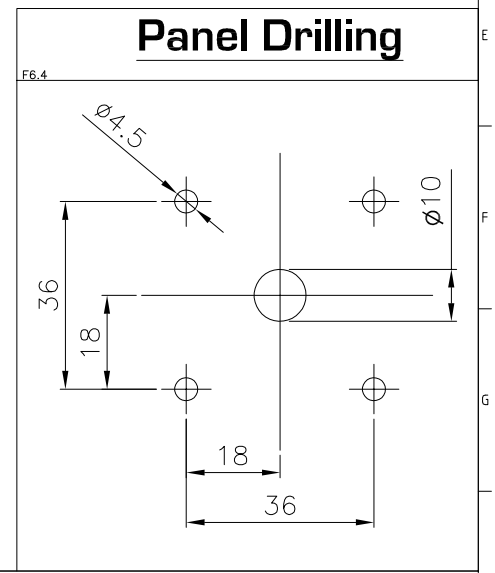
HANDLE	BLACK
FRONTPLATE	SILVER
MOULDED	BLACK
TEXT	BLACK



N° PACCHI N° PACKETS	1	2	3	4	5	6	7	8	9	10	11	12	13	14	15	16	17	18	19	20
X= LUNGH. mm Length mm.	51	59	67	75	83	91	99	107	115	123	131	139	147	155	163	171	179	187	195	203



Legend Symbols		POSIZIONI Positions	PACCHI Packets		
	RITORNO AUTOMATICO Spring return		MORSETTI Contacts	1	2
	CONTATTO CHIUSO Closed contact			1214	2224
	CHIUSO SENZA INTERRUZIONE Closed without current breaking	DICITURE Engravings	11	21	
TITLE					
1		FRÅN			
2		TILL			

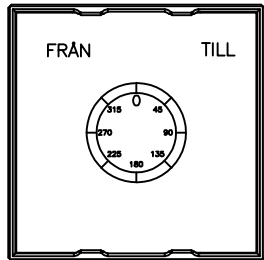
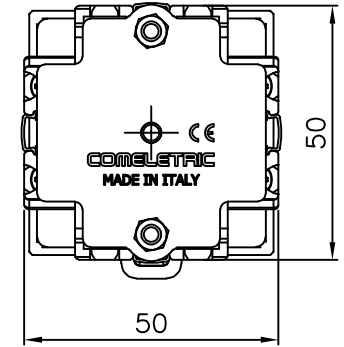
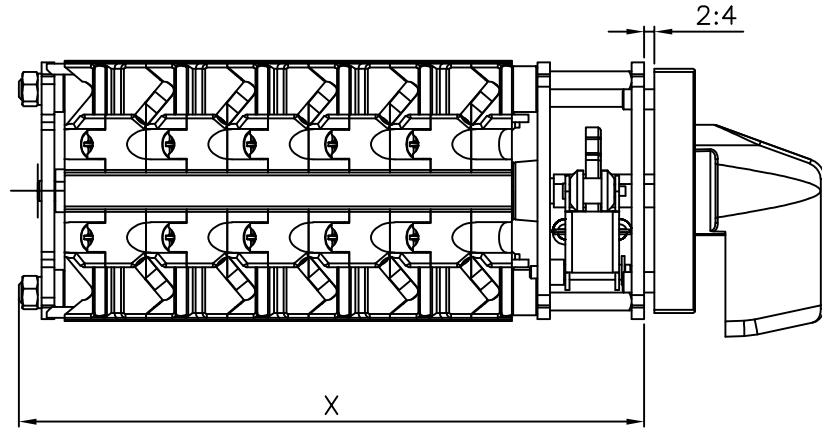
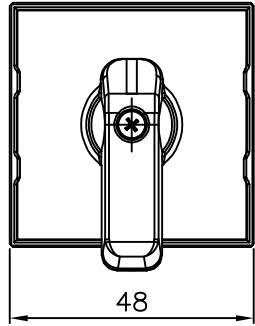


All technical informations contained in this document is the exclusive property of COMELETRIC and may neither be used nor disclosed without its consent.

Drawn EL	Sheet 1/3	Approved by - Date EL/25/03/20
Checked EL	Scale 1:1	Rev. N° A

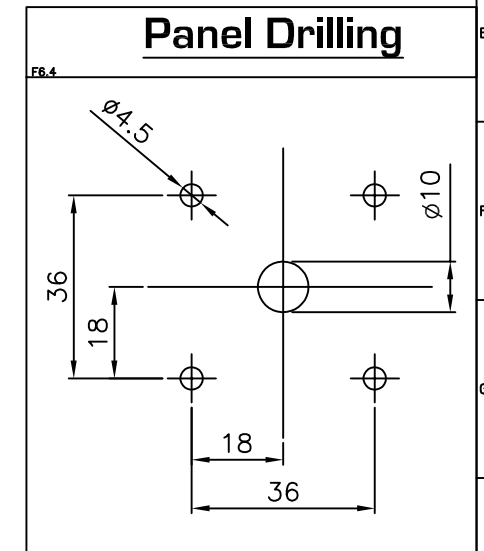
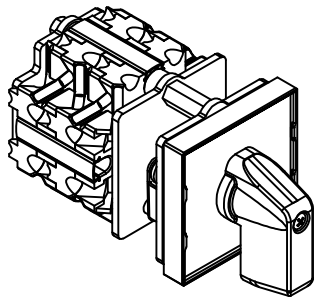
Escutcheon plate
48-21272

Type: R16 2/2 506173
Code: R601 SE202 202-W006



N° PACCHI N° PACKETS	1	2	3	4	5	6	7	8	9	10	11	12	13	14	15	16	17	18	19	20
X= LUNGH. mm Length mm.	51	59	67	75	83	91	99	107	115	123	131	139	147	155	163	171	179	187	195	203

Legend Symbols		POSIZIONI Positions	PACCHI Packets			
	RITORNO AUTOMATICO Spring return		MORSETTI Contacts	1	2	3
	CONTATTO CHIUSO Closed contact			1 3 5 7 9 11		
	CHIUSO SENZA INTERRUZIONE Closed without current breaking					
		DICITURE Engravings	2	6	10	
		TITLE				
		1	FRAN			
		2	TILL			



All technical informations contained in this document is the exclusive property of COMELSTRIC and may neither be used nor disclosed without its consent.

Drawn FR	Sheet 1/3	Approved by - Date FR
Checked FR	Scale 1:1	Rev. N° 0

Escutcheon plate
48-21272

Type:

R16 2/3 - 506618

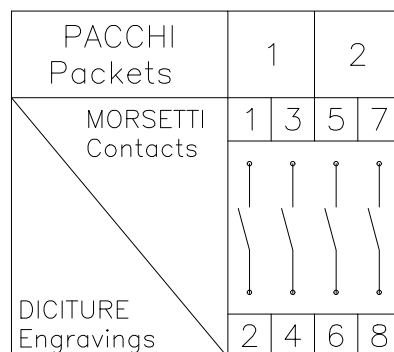
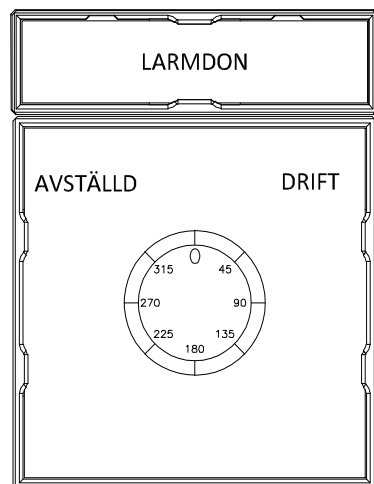
Code:

R601 SE203 008-W006

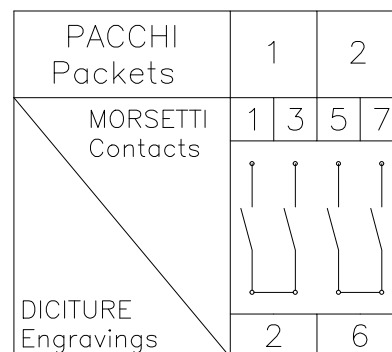
Lokallarm/Larmdon

2-läges - 48x48 mm

AVSTÄLLD//DRIFT



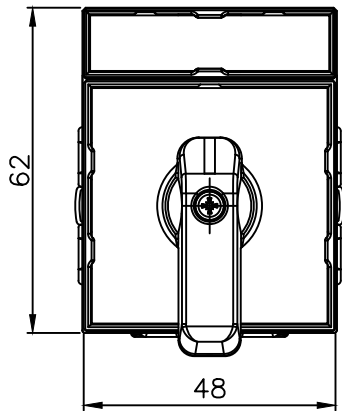
Separerad kontakt



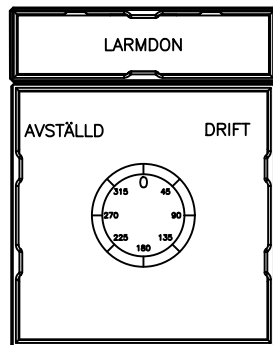
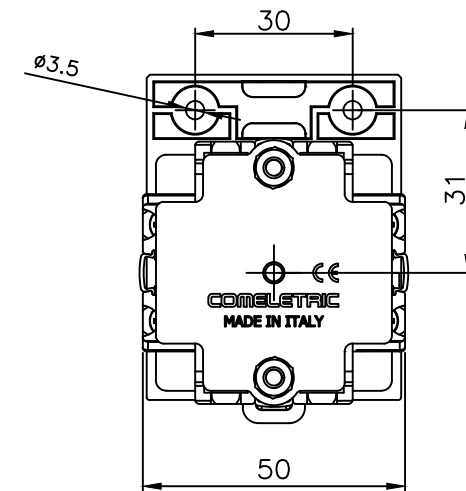
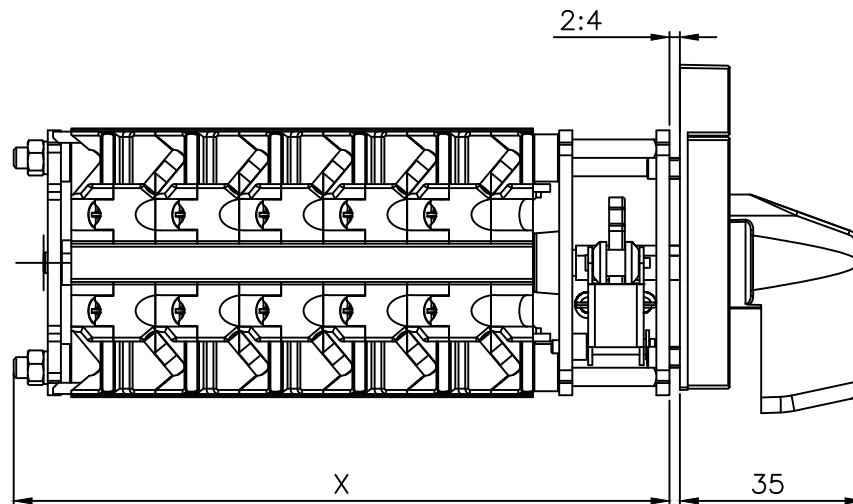
Gemensam kontakt

Tillquist Art nr: 506090

Modell: R16 2/2 (2NC.2NO) ”Gemensam kontakt”

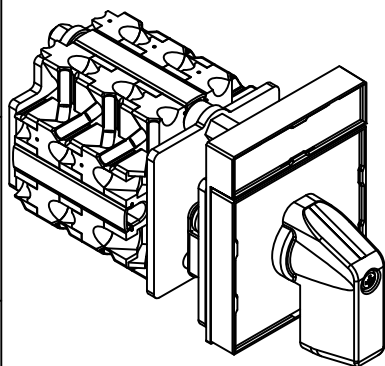
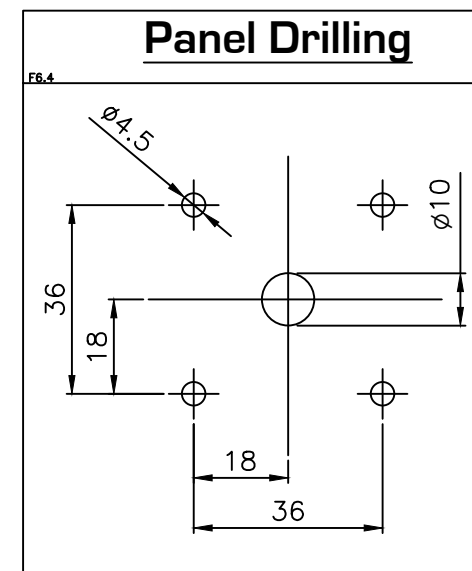


W008	
HANDLE	BLACK
FRONTPLATE	SILVER
HOLDER	BLACK
TEXT	BLACK



N° PACCHI N° PACKETS	1	2	3	4	5	6	7	8	9	10	11	12	13	14	15	16	17	18	19	20
X= LUNGH. mm Length mm.	51	59	67	75	83	91	99	107	115	123	131	139	147	155	163	171	179	187	195	203

Legend Symbols		POSIZIONI Positions	PACCHI Packets	
	RITORNO AUTOMATICO Spring return			MORSETTI Contacts
	CONTATTO CHIUSO Closed contact	1 3 5 7		
	CHIUSO SENZA INTERRUZIONE Closed without current breaking	DICTURE Engravings	2	6
TITLE				
1	AVSTÄLLD			
2	DRIFT			



All technical informations contained in this document is the exclusive property of COMELETTRIC and may neither be used nor disclosed without its consent.

Drawn FR	Sheet 1/3	Approved by - Date FR
Checked FR	Scale 1:1	Rev. N° A

Escutcheon plate
48-21100T208

Type: R16 2/2 - 506090
Code: R601 SE202 008-W008

Lokallarm/Larmdon

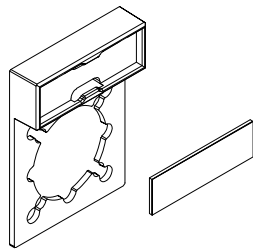
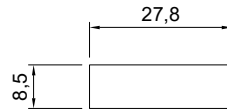
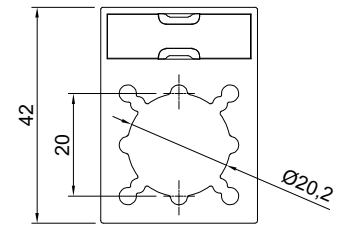
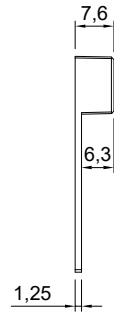
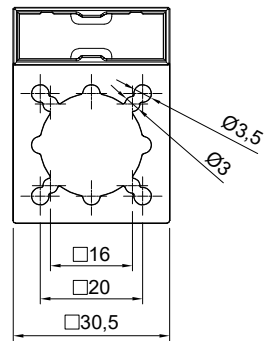
Tillbehör - 30x30 mm & 48x48 mm

Tillquist Art nr: 507633

Skylthållare för 30x30 mm inklusive skylt ”LOKALLARM”

Tillquist Art nr: 507041

Skylthållare för 48x48 mm inklusive skylt ”LOKALLARM”



LOKALLARM



All technical informations contained in this document is the exclusive property of COMELETIC and may neither be used nor disclosed without its consent.

Drawn
EL

Sheet
1/1

Approved by - Date
EL/01/04/20

Escutcheon plate

Type:

LEGEND LABEL 30X30 - 507633

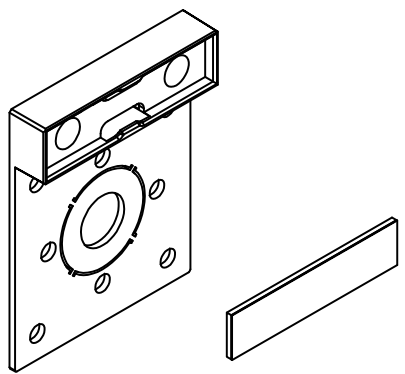
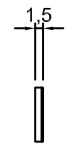
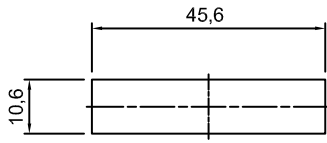
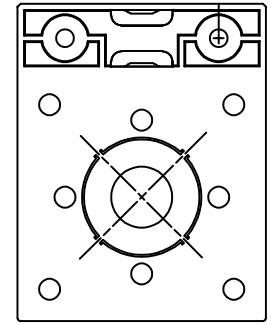
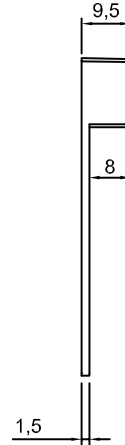
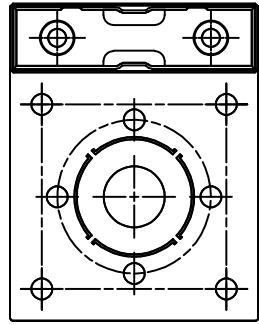
Checked
EL

Scale
1:1

Rev. N°
A

Code:

TL30M-00241



LOKALLARM



All technical informations contained in this document is the exclusive property of COMELETRIC and may neither be used nor disclosed without its consent.

Drawn EL	Sheet 1/1	Approved by - Date EL/05/03/2020
Checked EL	Scale 1:1	Rev. N° A

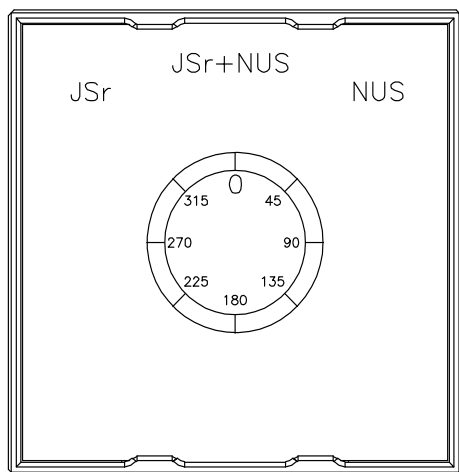
Escutcheon plate

Type:	LEGEND LABEL 507041
Code:	TL48M-00241

Nollpunktsspänning NUS

3-läges -30x30 mm

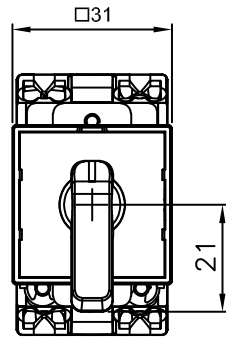
JSr//JSr+NUS//NUS



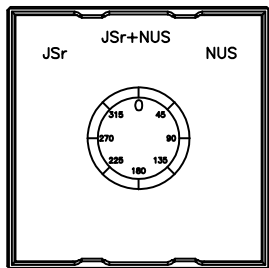
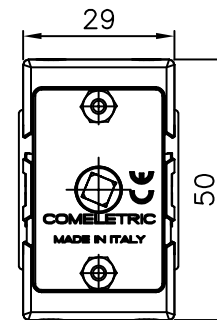
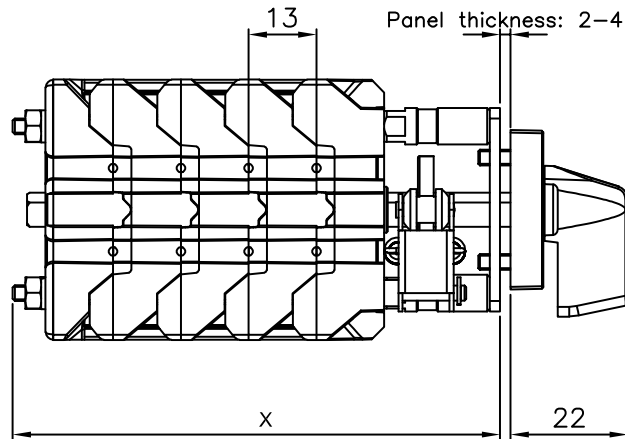
PACCHI Packets	1			2		
MORSETTI Contacts	1	2	4	5	6	8
DICITURE Engravings	3			7		
JSr			X			X
JSr+NUS	X			X		
NUS		X			X	

Tillquist Art nr: 507238

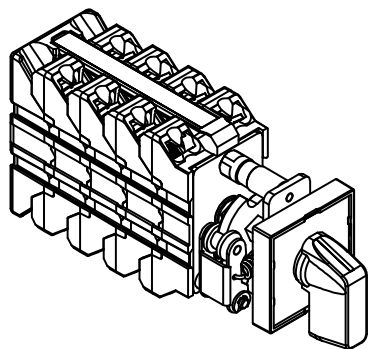
Modell: R16 3/2 (2x3NC) ”Gemensam kontakt”



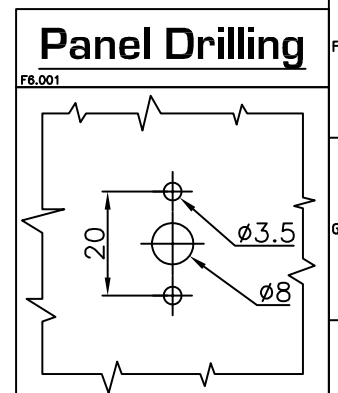
MORSETTI
 CONTACTS
 HOLDER
 UNIT



N° PACCHI N° PACKETS	1	2	3	4	5	6	7	8	9	10	11	12	13	14	15
X= LUNGH. mm Length mm.	55	68	81	94	107	120	133	146	159	172	185	198	211	224	237



Legend Symbols		POSIZIONI Positions	PACCHI Packets						
			1	2					
	RITORNO AUTOMATICO Spring return		 	MORSETTI Contacts	1 2 4 5 6 8				
	CONTATTO CHIUSO Closed contact	DICTURE Engravings		3 7					
	CHIUSO SENZA INTERRUZIONE Closed without current breaking	TITLE							
		1	JSr						
		2	JSr+NUS	X			X		
		3	NUS		X			X	



All technical Informations contained in this document is the exclusive property of COMELETTRIC and may neither be used nor disclosed without its consent.

Drawn FR
 Sheet 1/3
 Checked FR
 Scale 1:1
 Approved by - Date FR
 Rev. N° 0

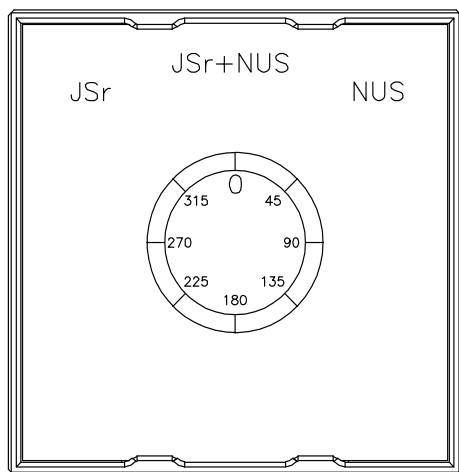
Escutcheon plate
 30-30329

Type: R8 3/2 - 507238
 Code: R801 SE302 004-D003

Nollpunktsspänning NUS

3-läges - 48x48 mm

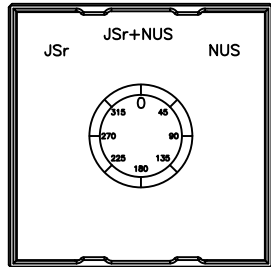
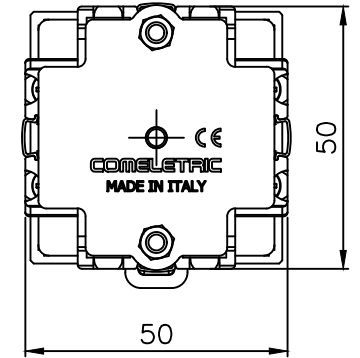
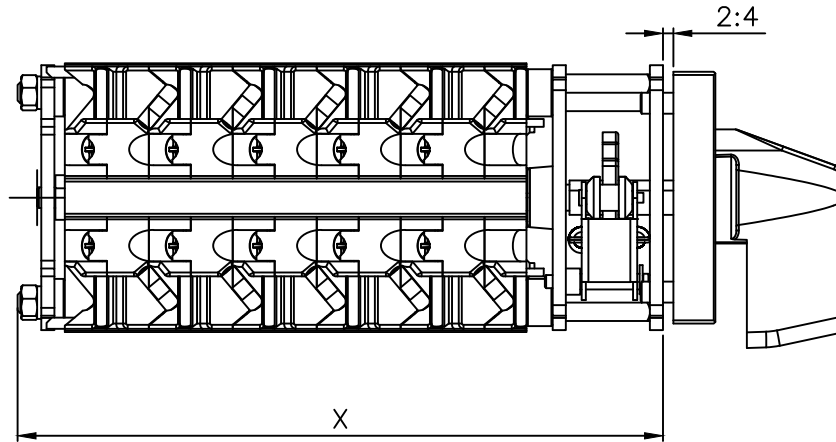
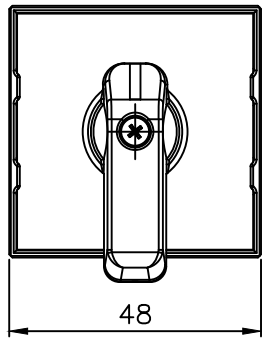
JSr//JSr+NUS//NUS



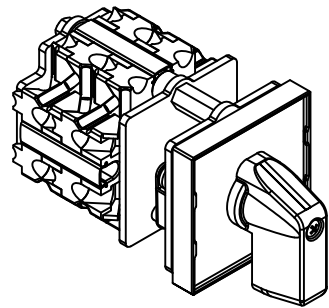
PACCHI Packets	1			2		
MORSETTI Contacts	1	2	4	5	6	8
DICITURE Engravings	3			7		
JSr			X			X
JSr+NUS	X			X		
NUS		X			X	

Tillquist Art nr: 507540

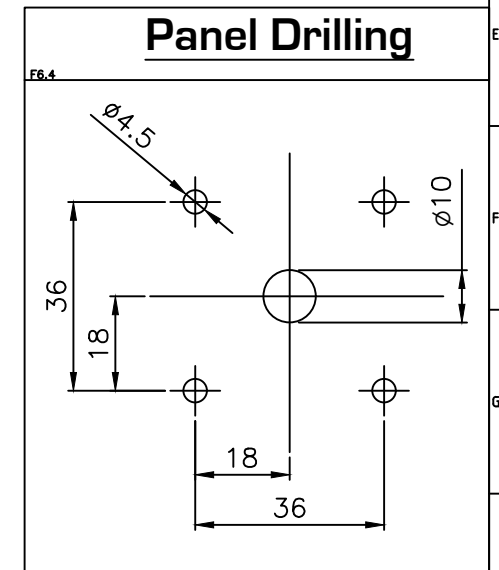
Modell: R16 3/2 (2x3NC) ”Gemensam kontakt”



N° PACCHI N° PACKETS	1	2	3	4	5	6	7	8	9	10	11	12	13	14	15	16	17	18	19	20
X= LUNGH. mm Length mm.	51	59	67	75	83	91	99	107	115	123	131	139	147	155	163	171	179	187	195	203



Legend Symbols		POSIZIONI Positions	PACCHI Packets	
			1	2
	RITORNO AUTOMATICO Spring return		MORSETTI Contacts	
	CONTATTO CHIUSO Closed contact		1 2 4 5 6 8	
	CHIUSO SENZA INTERRUZIONE Closed without current breaking		3 7	
TITLE				
1	JSr		X	X
2	JSr+NUS	X	X	X
3	NUS	X	X	X



All technical informations contained in this document is the exclusive property of COMELETTRIC and may neither be used nor disclosed without its consent.

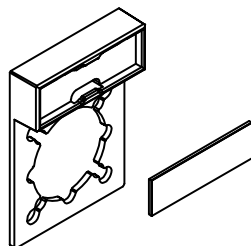
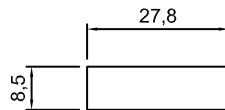
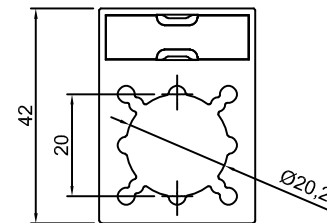
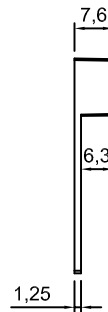
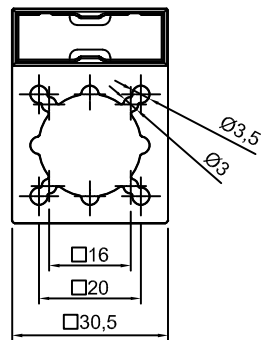
Drawn FR	Sheet 1/3	Approved by - Date FR	Escutcheon plate 48-31460
Checked FR	Scale 1:1	Rev. N° 0	

Type: R16 3/2 - 507540
Code: R601 SE302 004-W006

Generella tillbehör

30x30 mm

Tillquist Art nr: 506614
Skylthållare för 30x30 mm med "FRI TEXT"



NO TEXT



All technical informations contained in this document is the exclusive property of COMLETRIC and may neither be used nor disclosed without its consent.

Drawn FR	Sheet 1/1	Approved by - Date FR/18/11/16
Checked FR	Scale 1:1	Rev. N° A

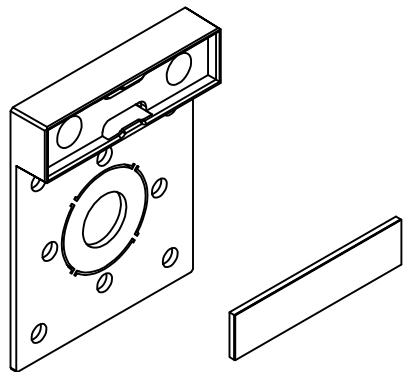
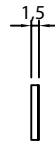
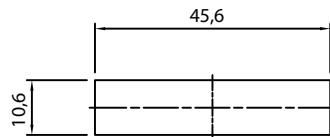
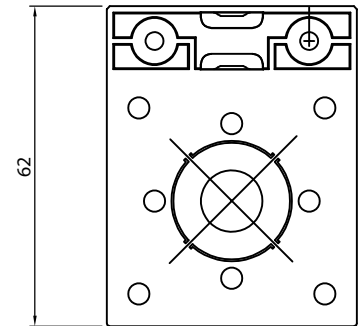
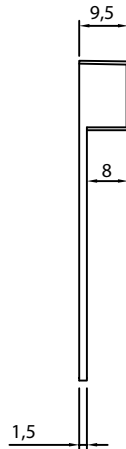
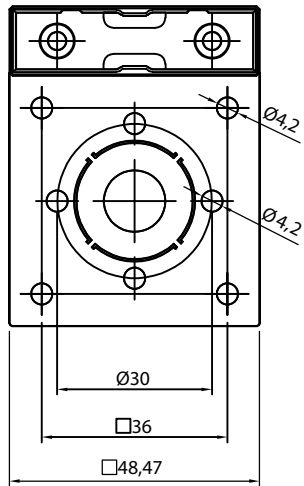
Escutcheon plate

Type:	LEGEND LABEL 30X30 - 506614
Code:	TL30M-00000

Generella tillbehör

48x48 mm

Tillquist Art nr: 506638
Skylthållare för 48x48 mm med ”FRI TEXT”



NO TEXT



All technical informations contained in this document is the exclusive property of COMELETTRIC and may neither be used nor disclosed without its consent.

Drawn LR	Sheet 1/1	Approved by - Date LR/05/03/2020
Checked LR	Scale 1:1	Rev. N° A

Escutcheon plate

Type:	LEGEND LABEL SILVER 506638
Code:	TL48M-00000